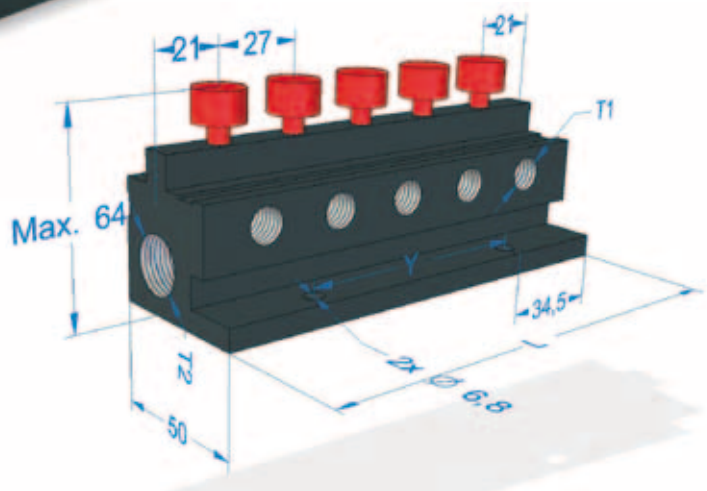


ALUMINUM



TECHNICAL SPECIFICATIONS

- Model code: 971-*
- Number of outlets: 5-10
- Inlet size 'T2': ½ " NPT or ½ " BSPP
- Outlet size 'T1': ¼ " NPT or ¼ " BSPP
- Length L: 81 mm (5 outlets)
216 mm (10 outlets)

* = number of outlets