

TEESING

MANIFOLDS

WWW.TEESING.COM





ABOUT TEESING

Teesing B.V. has built a sound international reputation as a technical wholesaler and engineering company, since 1952. An organization that learns from the past, lives in the present and looks into the future. A stimulating approach for any forward-looking enterprise! Teesing maintains harmonious working partnerships with a wide range of manufacturers and business partners worldwide. Principal markets are in Europe, Asia and the U.S.A. The company has permanent offices in Beijing (China), New Jersey (U.S.A.) and Zhubei City (Taiwan). The head office is located in Rijswijk, The Netherlands.

The more harmonious the connections, the better a system works. This goes for both technical processes and people-to-people relationships! Thinking and working together – manufacturer, supplier and customer – to fully satisfy present demands while anticipating on future needs. This is “the right connection”, the Teesing approach, fully shared by our partners on a national and international level, in a rapidly expanding global market. A vision that is fast becoming a reality!

OUR BUSINESS UNITS

 INDUSTRIAL APPLICATIONS	 SUBMICRON TECHNOLOGIES	 ALTERNATIVE ENERGY
International supplier of fittings, valves, tubing, systems and assemblies.	International supplier of HP/UHP components and assemblies from source to process.	International supplier of components, systems and assemblies for CNG/H2 projects.

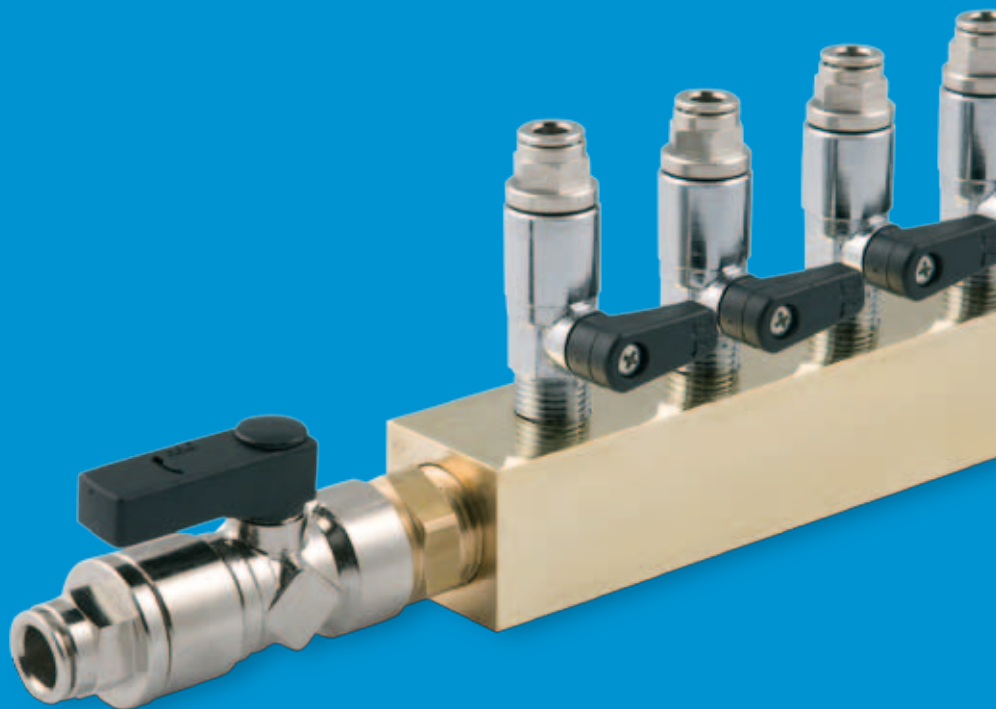
INDEX

MANIFOLDS

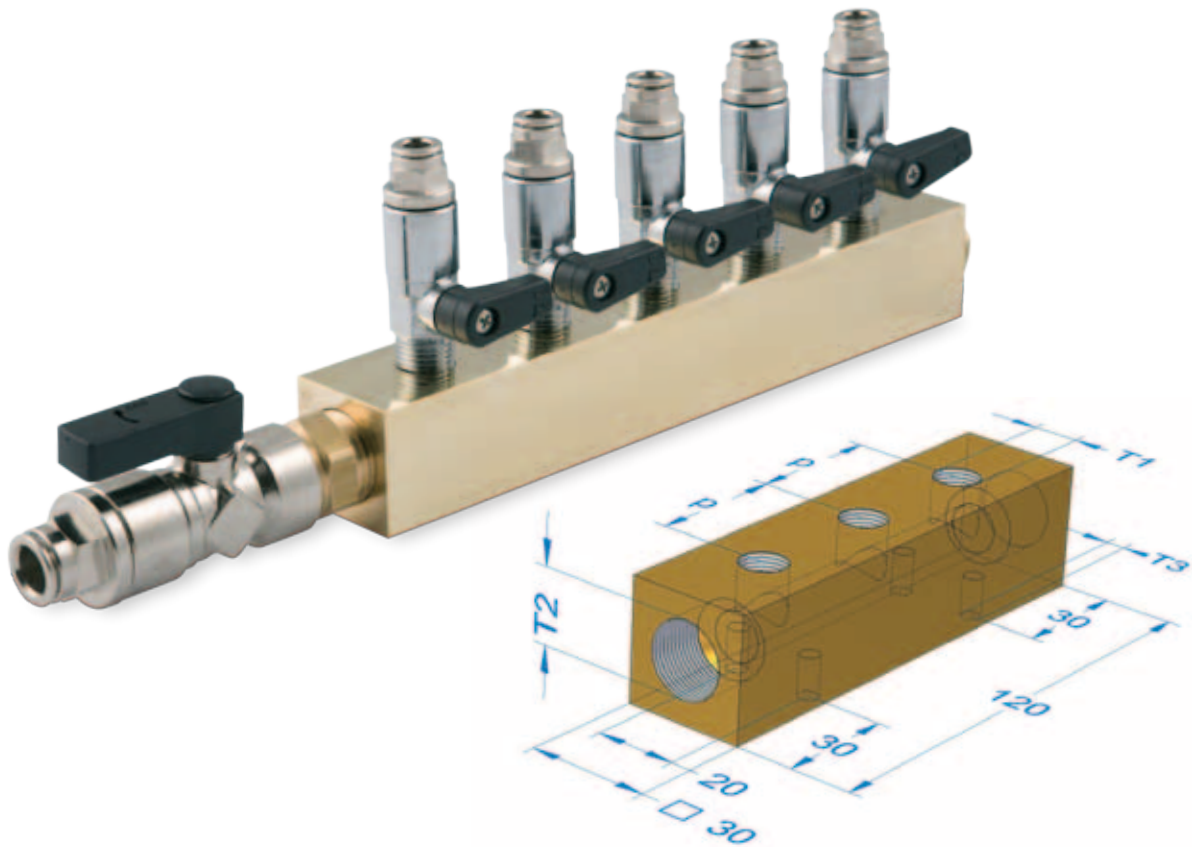
• BRASS	4
• SS316 (WELDED VERSION) Ø	5
• SS316 (BARSTOCK VERSION) ☒	6
• PVDF	7
• ALUMINUM (PUSH-IN)	8
• ALUMINUM	9

MISCELLANEOUS

• AIR PREPARATION PRODUCTS	10
• SPECIALS	11
• TUBING	12
• VALVES AND FITTINGS	13
• PARTNERS	14
• PROBLEM SOLVED	15



BRASS



TECHNICAL SPECIFICATIONS

- Model code: 390-*
- Number of outlets: 2-10 (std.)
- Outlet size 'T1':
 - ½ " BSPP
 - ¼ " BSPP
- Centre to centre 'p': 35 mm
- Mounting holes 'T3': 4 x M6
- Total length 'L': Depends on number of outlets

* = number of outlets

EXTRA SPECIFICATIONS

- Also available in other centre to centre dimensions
- Also available in other thread connections (example NPT)
- Also available with more outlets depending on centre to centre

POSSIBILITIES OF VALVES AND/OR FITTINGS

Valves

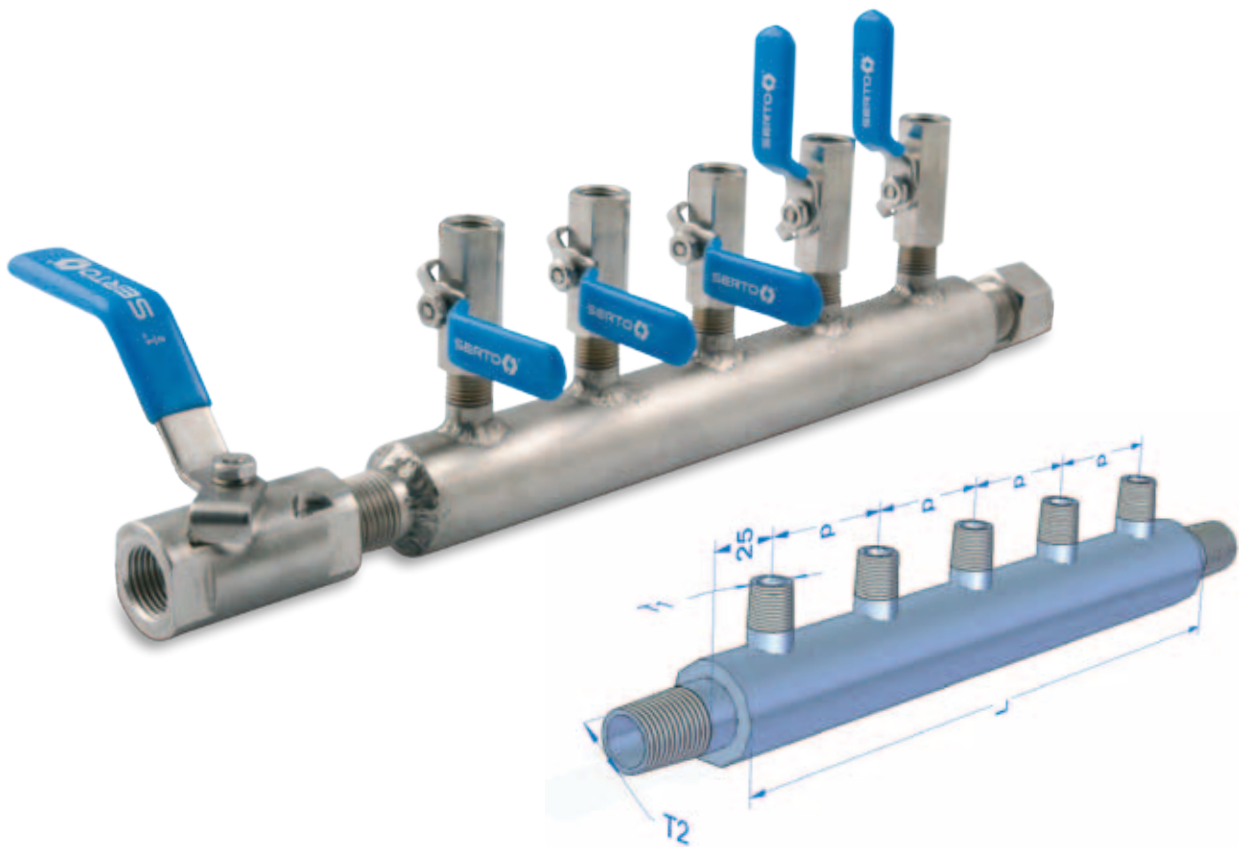
- Mini ball valves or other ball valves possible
- Regulating valves brass (SERTO)

Fittings

- Brass compression fitting (SERTO) or other fittings like brass nickel plated "push in" fittings
- Of course Teesing can supply all other fittings

SS316

(WELDED VERSION) Ø



TECHNICAL SPECIFICATIONS

- Model code: 50395-*
- Number of outlets: 3–10 (std.)
- Inlet size 'T2': ½" BSPT or NPT
- Outlet size 'T1': ¼" BSPT or NPT
- Centre to centre 'p': 50 mm
- Total length 'L': Depends on number of outlets

* = number of outlets

EXTRA SPECIFICATIONS

- Also available in other centre to centre dimensions
- Also available in other pipe dimensions
- Also available in other configurations like outlets on both sides and outlet dimensions
- Also available with flanges

POSSIBILITIES OF VALVES AND/OR FITTINGS

Valves

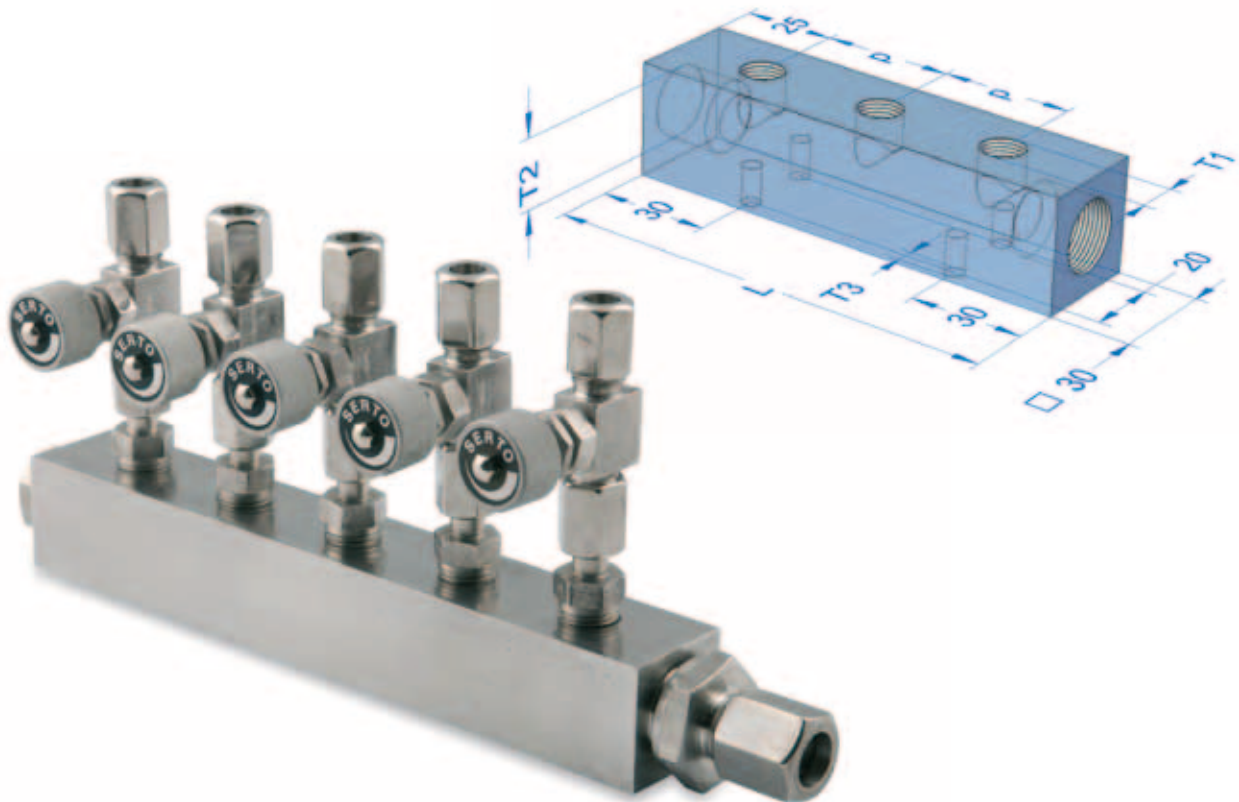
- SS316 ball valves (SERTO)
- SS316 lockable ball valves

Fittings

- SS316 compression fittings (SERTO) or other fittings like 'twin-ferrule' or DIN 2353 cutting ring couplings
- Of course Teesing can supply all other fittings

SS316

(BARSTOCK VERSION) ☒



TECHNICAL SPECIFICATIONS

- Model code: 50390-*
- Number of outlets: 2-10 (std.)
- Inlet size 'T2': ½" BSPP
- Outlet size 'T1': ¼" BSPP
- Centre to centre 'p': 35 mm
- Mounting holes 'T3': 4 x M6
- Total length 'L': Depends on number of outlets

* = number of outlets

EXTRA SPECIFICATIONS

- Also available in other centre to centre dimensions
- Also available in other thread connections (example NPT) or sizes

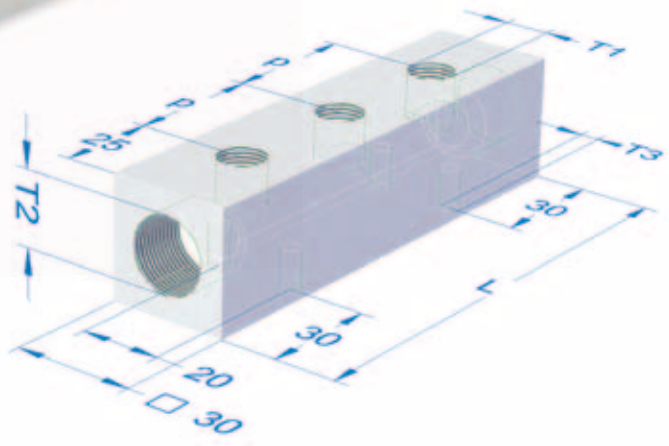
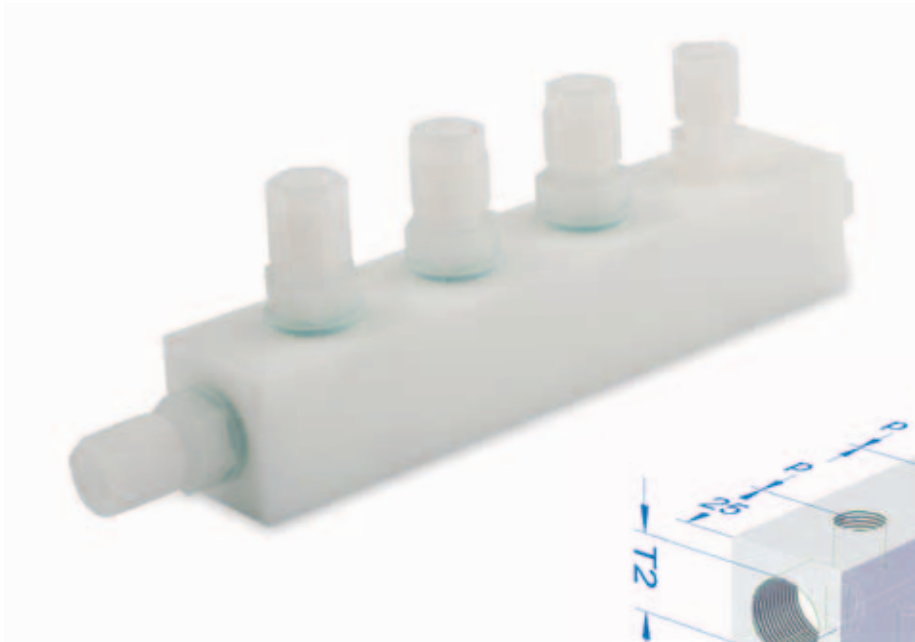
POSSIBILITIES OF VALVES AND/OR FITTINGS

Valves

- Regulating valves (SERTO)
- Stainless Steel ball valves

Fittings

- SS316 compression fitting (SERTO) or other fittings like 'twin-ferrule' or DIN 2353 cutting ring couplings
- Of course Teesing can supply all other fittings



TECHNICAL SPECIFICATIONS

- Model code: 20390-*
- Number of outlets: 5-8-12 (std.)
- Inlet size 'T2': 1/2" BSPP
- Outlet size 'T1': 1/4" BSPP
- Centre to centre 'p': 35 mm
- Mounting holes 'T3': 4 x M6
- Total length 'L': Depends on number of outlets

* = number of outlets

EXTRA SPECIFICATIONS

- Also available in other centre to centre dimensions
- Also available in other thread connections (example NPT) or sizes

POSSIBILITIES OF VALVES AND/OR FITTINGS

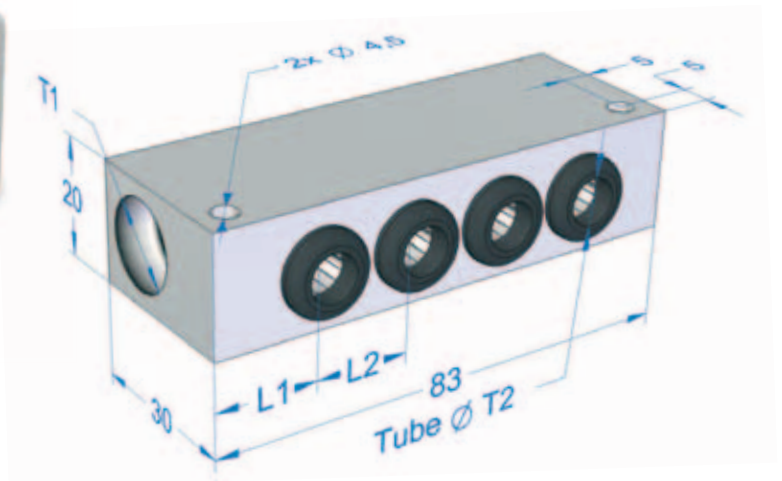
Valves

- PVDF regulating valves (SERTO) with tube connections (several diameters)

Fittings

- PVDF fittings (SERTO)
- Quick connect couplings
- Of course Teesing can supply all other fittings

ALUMINUM (PUSH-IN)



TECHNICAL SPECIFICATIONS

- Model code: MB 35XXYY*
- Number of outlets: 4-5-6
- Inlet size 'T2': 1/4" BSPP - 3/8" BSPP
- Outlet size 'T1': $\varnothing 4 - \varnothing 6 - \varnothing 8$ mm

*XX = Outlet size 'T1'
YY = Number of outlets

MODELS

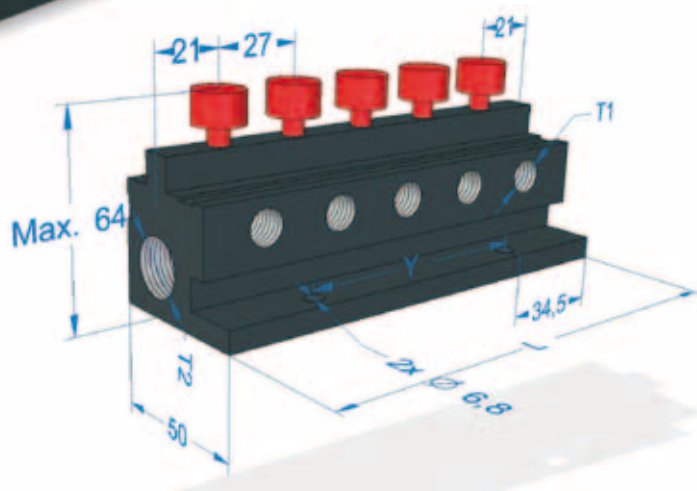
- **MB 350406**
T1 = $\varnothing 4$ mm, T2 = 1/4" BSPP, # outlets = 6
- **MB 350605**
T1 = $\varnothing 6$ mm, T2 = 1/4" BSPP, # outlets = 5
- **MB 350804**
T1 = $\varnothing 8$ mm, T2 = 3/8" BSPP, # outlets = 4

TUBING POSSIBILITIES

Tubing

- Available: PE/PA/PU and in various colours
- For detailed information about our tubing, we refer to the Teesing Tubing brochure

ALUMINUM



TECHNICAL SPECIFICATIONS

- Model code: 971-*
- Number of outlets: 5-10
- Inlet size 'T2': ½ " NPT or ½ " BSPP
- Outlet size 'T1': ¼ " NPT or ¼ " BSPP
- Centre to centre 'p': 81 mm (5 outlets)
216 mm (10 outlets)

* = number of outlets

FILTER REGULATION LUBRICATOR

Teesing's air preparation (FRL) products offer a wide variety of filter, regulator, and lubricator combination units as well as ambient dryers, booster regulators, mist separators, and a wide range of accessories. Obtain energy savings, with higher flow rates and eight size options to ensure optimum performance for every

application. Cleaner environment with small Micron Filtration as standard to meet every application need. Reduced downtime with simple assembly and maintenance. Integrate electronic pressure switches, lock out valves and 'soft starts' for complete control over your pneumatic supply.



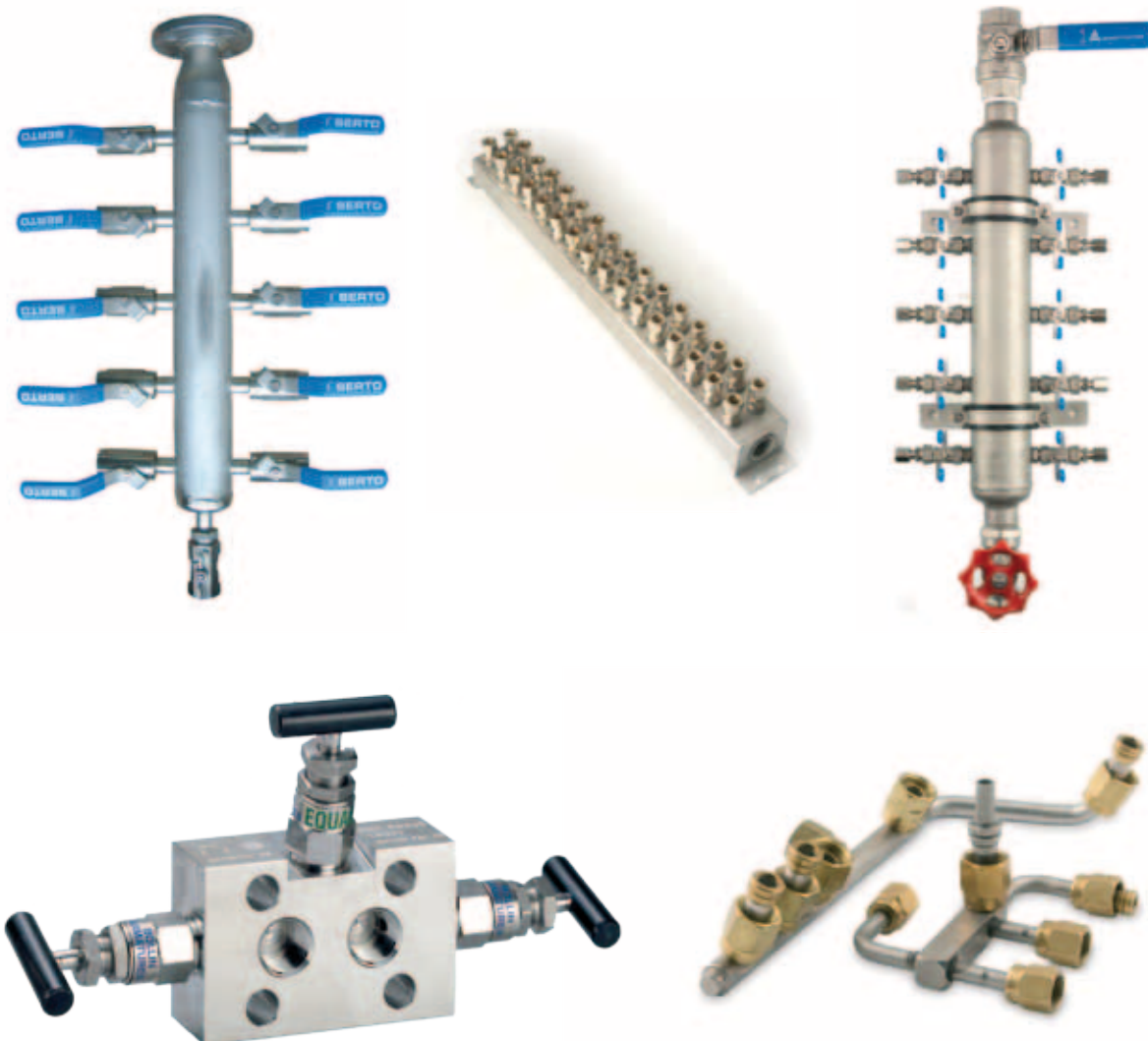
UNREGARDED OF THE TYPE OF CONNECTION, TEESING CAN DEVELOP IT

Teasing air headers are used in the oil, gas, petroleum and many other industries for compact installations.

Our wide assortment of air headers is ideal for applications in different outlet take-offs. Air headers are ideal for replacing valve assemblies that are generally operated from one source. The inlet-connection of our air headers

is of flange or screwable type with a drain-valve at the manifold exit. Along with this, we offer bracket / U clamp for wall mounting of the air headers.

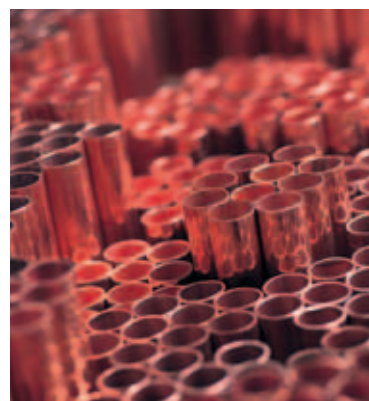
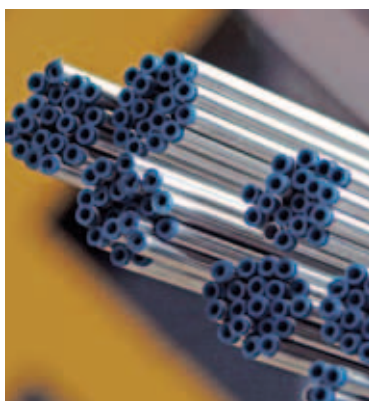
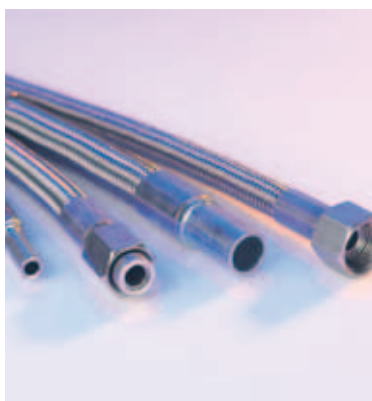
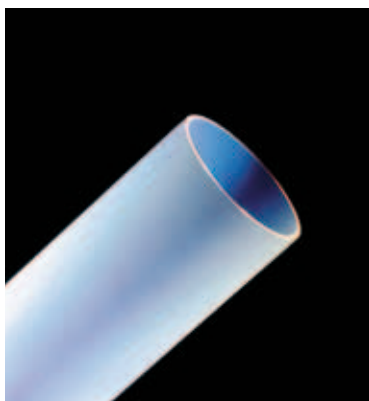
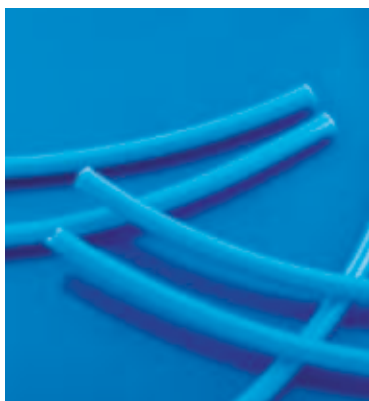
Besides our standard versions Teesing can configure every layout to suit your applications. Here under you see some examples of specials we made in the past years.



MANY SIZES, MATERIALS AND FORMS

For Flexible Hose Tubings, Teesing offers solutions for all industrial needs. Our Tubing includes; PE tubing, PU Tubing, PA tubing, PTFE tubing, FEP tubing, PVDF tubing, Dekabon, stainless steel, Jacoflon, multicores tubing, copper and PVC. Our tubing is manufactured of the highest possible quality materials and has

the approval of the FDA where appropriate. For altering temperature environments or applications that require excellent resistance, our tubing offers tensile strength and pressure ratings. For specific assemblies, we require full details on the environment when in use and the amounts of pressure they will be exposed to.



REGULATING THE FLOW OF FLUIDS

Teesing has a complete program of fittings and valves in different materials like brass or stainless steel with BSP or NPT thread. Fittings range from single ferrule, double ferrule and cutting ring in a variety of diameters.

Because Teesing has many products on stock, we have fast delivery times. Not only we deliver our standard program but on request we supply other brand products as well.



COMPLETE PROGRAM OF PRODUCTS AND SERVICES

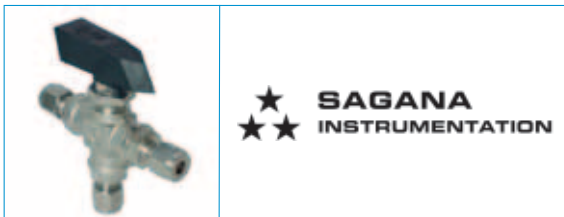
Teesing supplies a complete program of products and services. On this page we have given a small overview of the different couplers, fittings and valves for connection purposes. From radial mounting and dismounting,

quick-couplers and push-on and push-in couplers to thread fittings. For a more complete overview of our product range, please contact one of our sales engineers. They'll be happy to help you.



SERTO

- Complete program of couplers and valves
- Unique system of radial mounting and dismounting
- Available in: stainless steel, brass, steel, PVDF, PA...
- Problem solved assemblies on customer request



SAGANA

- Complete instrumentation program
- Supplier of tube fittings, thread fittings, weld fittings, valves, regulators, hoses, switch-over-board and solenoid valves



RECTUS

- Complete program of quick-couplers
- Nominal diameter of 1,8 mm² until 300 mm²
- Available in: brass, stainless steel, steel, POM, PVDF
- Low, middle and high pressure
- Straight-through, single and double shut-off, dry-break and keyversion.



EXMAR

- Extensive program of DIN 2353 fittings in stainless steel 316ti (1.4571)
- Supplier of cutting ring fittings, NC-clamping ring fittings, hose fittings, ball- and needle valves, custom designed products



C-MATIC

- Wide range of push-in and push-on fittings and valves
- Available in: plastic, chemical nickel plated, stainless steel, brass nickel plated
- Middle and high pressure series

ADDITIONAL SERVICES

Teesing has 60 years of experience in very diverse markets. Thanks to this extensive technical know-how, we are able to offer extra services in addition to a broad and deep range of products.

Because we have our own engineering department we are able to respond quickly and efficiently to any connection problems and can supply client-specific assemblies that are tuned to your needs.



DESIGN

Whether brazed or welded, curved or wound, we produce your pipes in a customised, ready-to-fit state. You have the possibility to select from a multitude of pipe shapes and manufacturing processes. Give us a call!



MATERIALS

Pipes don't have to be made from copper! We can also offer you brass or high grade steel pipes in a variety of different forms. Or do you require hotformed plastic pipes? We can meet your expectations. Give us a try!



READY-TO-FIT

We can assemble pipe work with fittings according to your specifications. Pipes with our fittings can be removed in a radial direction, without difficulty.

Contact our sales engineers to receive detailed product information.
We recommend to visit our website for regularly updated product information.

TEESING B.V.

Verrijn Stuartlaan 40
2298 EL Rijswijk
The Netherlands

Tel +31 70 413 07 00
Fax +31 70 413 07 30

info@teesing.com
www.teesing.com

CHINA OFFICE

Hong Kong Macau Center
Suite 418
4Th Floor, Office Tower
2 Chao Yang Men Bei Da Jie
100028 Beijing, China

Tel +86 10 659 590 74
Fax +86 10 650 142 48

teesingchina@teesing.com
www.teesing.com.cn

USA OFFICE

10 Millpond Road Unit 7
Lafayette, NJ 07848
United States of America

Tel +1 973 383 0691
Fax +1 973 383 0691

teesingusa@teesing.com
www.teesing.com

TAIWAN OFFICE

4F.-15, No.36, Taiyuan St.
Zhubei City
Hsinchu County 302
Taiwan

Tel +886 3 560 05 60
Fax +886 3 560 05 25

teesingtaiwan@teesing.com
www.teesing.com

ASPRO TIS (BEIJING) CO. LTD.

Xi Tuo Cun, Ma Chi Kou Zhen
Chang Ping District
Beijing 102206
China

Tel +86 10 807 221 65

info@aspro-tis.com.cn
www.aspro-tis.com.cn

WWW.TEESING.COM

TEESING

