

IDG202 Digital Pressure Gauge

Accurate, digital gauge for reliable pressure monitoring

- » Accurate local display of system pressure
- » For battery-supplied gauges, no external power source is required
- » Lower installation costs



Product Description

Celerity's IDG202 series digital pressure gauges provide an easy to read display of process pressure. Local display of process pressure improves safety and quality control of the gas delivery systems.

The IDG202 is battery-powered or can be powered by an external 6 VDC power supply. The IDG202 digital gauge provides accurate, reliable and easy to use pressure measurement and display.

Features

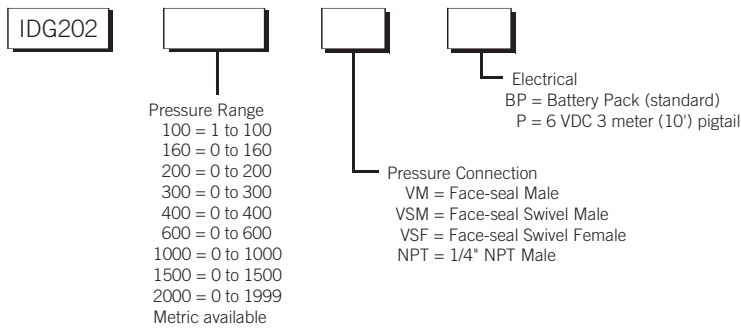
- Local indication of process pressure measurement
- Highly accurate ($\pm 0.5\%$) and reliable
- Easy to install and read
- Solid state electronics
- Low power consumption
- Developed and designed for demanding highpurity applications
- 3.5 digit display in durable enclosure
- CE compliant
- 1 year warranty

Applications

Gas delivery systems and tools used for semiconductor processing, including:

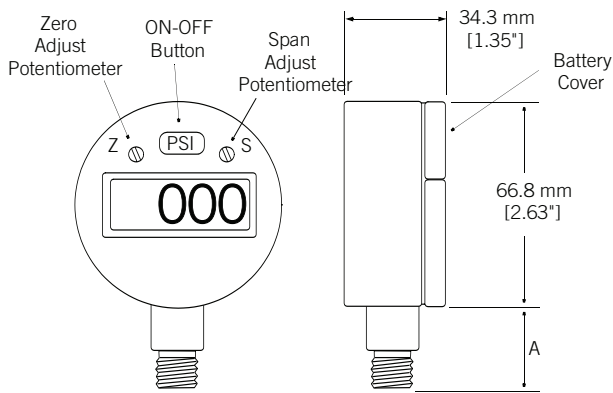
- Gas cabinets
- Valve Manifold Boxes (VMBs)
- Gas panels
- Gas distribution systems

Product Configurations

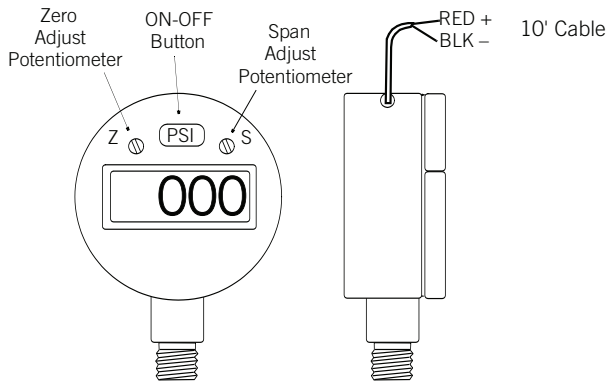


Product Dimensions

IDG202 with Battery Pack



IDG202 with Pigtail



IDG202 Digital Pressure Gauge Specifications

Case Material	Valox® PBT
Wetted Parts	316L VAR
Surface Finish Interior ≤	≤10 µin Ra.
Digits	3.5 LCD
Range	Max 1999
Type	7-segment, LCD
Digit Height	0.5" (12.7 mm)
Accuracy	±0.5% full scale (linearity, hysteresis, and repeatability)
Temperature Range	Operating: 0° to 160°F (-18° to 71°C) Compensating: 30° to 130°F (-1° to 54°C) Storage: 20° to 180°F (-7° to 82°C)
Thermal Zero Shift	±0.02% F.S./°F
Thermal Sensitivity Shift	±0.02% F.S./°F
Power Requirements	9V standard Alkaline battery or 6VDC external power supply
Connections	Face-seal male, face-seal swivel male, face-seal swivel female, and 1/4" NPT male
Pigtail Length (optional)	3 meters (10') standard (optional lengths available upon request). Requires customer-supplied 6VDC ±5% regulated power supply
Maximum Supply Current	600 µA
ESD Protection	8 KV
Resolution	Infinite
Life	50 x 10 ⁶ cycles minimum
Proof Pressure	2X full scale
Burst Pressure	10X full scale or 10,000 psi, whichever is less
Helium Leak Rating	4x10 ⁻⁹ cc/min, inboard
Approximate Shipping Weight	0.21 kg (0.46 lbs)

Connector	Dimension A
1/4" Face Seal Swivel Female	22.6 mm [0.89"]
1/4" Face Seal Swivel Male	40.1 mm [1.58"]
1/4" Face Seal Male	18.5 mm [0.73"]
1/4" Face Seal Female	22.6 mm [0.89"]
1/4" NPT Male	21 mm [0.62"]



CELERITY, INC.
915 Enterprise Boulevard
Allen, TX 75013 USA
Telephone 972.359.4000
Facsimile 972.359.4100
www.celerity.net

For technical assistance, contact Celerity Technical Support at 972.359.4000.



Celerity is a trademark of Celerity, Inc. All other product or service names mentioned in this document may be trademarks of the companies with which they are associated. System descriptions are typical and subject to change without notice.