

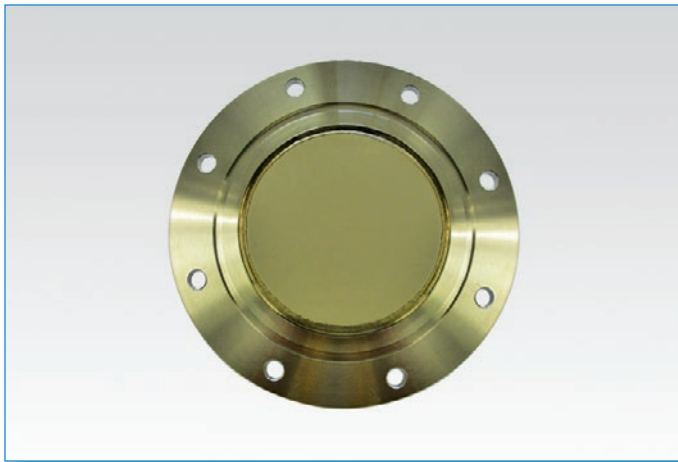
Mott High Purity GasShield® Diffusers

GSE Series | GSE-FLG-3.6-F1-NW100

Nickel Filter Media

TEESING

WWW.TEESING.COM



Description

Mott GasShield Diffusers quickly vent vacuum chambers to atmosphere which decreases cycle time and increases throughput. Mott nickel diffusers provide uniform and laminar gas flows without disturbing particles in the chamber. These diffusers also remove particles greater than 0.003 μm from incoming gas minimizing defects on the wafer. Nickel diffusers can withstand higher operating pressures and maintain product integrity for over 1,000,000 cycles.

Applications

Mott diffusers are used in vent applications on load lock chambers, transfer chambers, cooling chambers, and process chambers of Semiconductor equipment interfaces (CVD, PVD, Etch, Epi) or other vacuum chambers.

For More Information

For more information on Mott GasShield Diffuser offerings for 150/200/300/450 mm system applications, contact Mott High Purity Sales.

Warranty:

Mott Corporation ("Mott") warrants its GasShield diffuser will meet the specified retention and media integrity standards for a period of five years or 1,000,000 cycles whichever comes first from the date of purchase, providing the diffuser is properly installed and used in accordance with the specified flow, pressure, temperature, and chemical compatibility as published by Mott. Mott will replace or grant a purchase price refund for any GasShield diffuser which proves defective under the terms of this limited warranty. No other remedies apply. Mott disclaims all other warranties, either expressed or implied, including any warranty of merchantability or fitness for a particular purpose. Mott shall have no liability for consequential, incidental, special or punitive damages, lost profits or savings, or damages from lost production or damage to other materials.

Materials of Construction

Hardware:	316L SS
Filter Medium:	Nickel
Wetted Hardware Surface Finish:	$\leq 10 \text{ Ra}$
Connections:	
Inlet:	1/4" Male VCR
Outlet:	ISO NW100 (Designed for bolt through)
O-Ring Material:	Viton
O-Ring Size:	2-246
O-Ring Groove ID:	4.50" (114.3 mm)
O-Ring Groove OD:	4.81" (122.2 mm)
O-Ring Groove Depth:	0.102" (2.6 mm)

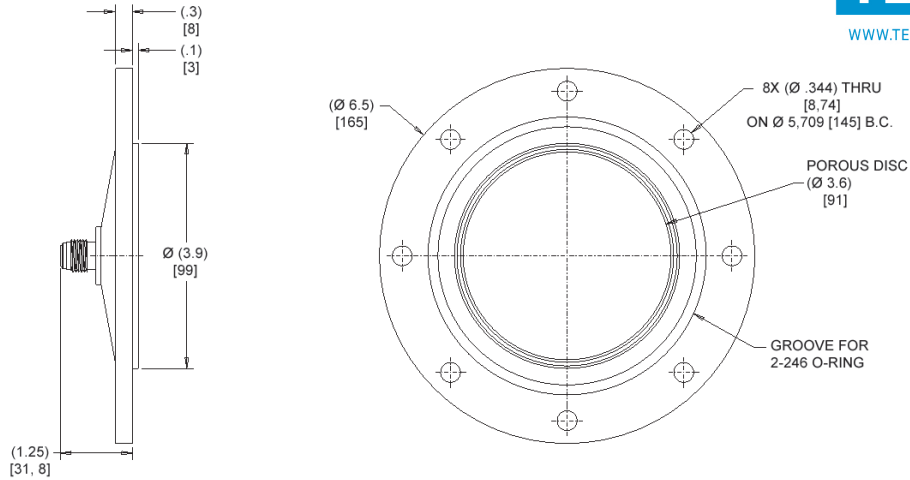
Performance Specifications

Particle Removal Size:	$\geq 0.003 \mu\text{m}$
Particle Shedding:	Zero particle contribution above background (<1 particle/ft ³) per SEMI F70-0302 test method
Reliability:	5 years or 1,000,000 cycles at max operating pressure (See warranty statement)

Operating Conditions

Maximum Operating Pressure:	35 psig (2.5 barg)
Max Operating Temperature for Inert Gas:	840°F (450°C) without O-Ring 212°F (100°C) with O-Ring
Maximum Differential Pressure:	50 psid (3.5 bar)

mott corporation



NOTE: Dimensions in [Brackets] are in millimeters

Ordering information:

Part Description	Part Number	Inlet Connection	Outlet Connections
GSE-FLG-3.6-F1-NW100	6894034	¼" Male Face Seal	ISO NW100 (Bolt through)

Performance Data for Mott GSE-FLG-3.6-F1-NW100 Diffuser

