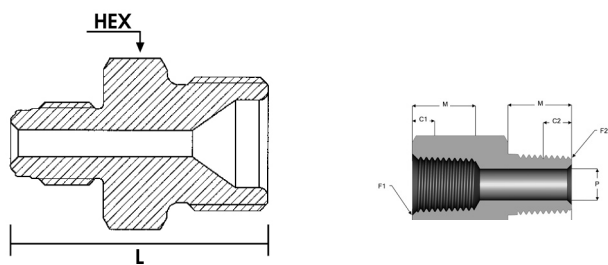


STANDARD ADAPTORS, BLANK PLUGS & CAPS | CGA

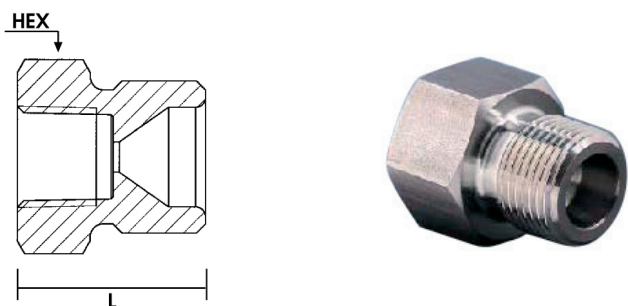
CGA V-1 Ref. Number	End Connection	Ref Number	Length (L)	HEX Nut	Internal Surface		Nipple Available Material				
					Adaptor Blank Plug/Cap	Finish μm (μinch)	S	V	N	H	H
296	FS 1/4"	60-296-4FS-	2"	1 1/8"		Ra 0.2 (8 Ra) EP	•	×	×	×	×
	NPT 1/4"	60-296-4N-	2"			Ra 0.8 (32 Ra) EP	•	×	×	×	•
	Blank Plug	50-296-BC-	1 3/8"			-	•	×	×	×	•
320	FS 1/4"	60-320-4FS-	1 3/4"	1"		Ra 0.2 (8 Ra) EP	•	×	×	×	×
	NPT 1/4"	60-320-4N-	1 1/8"			Ra 0.8 (32 Ra) EP	•	×	×	×	•
	Blank Plug	50-320-BP-	1 1/8"			-	•	0	×	×	•
326	FS 1/4"	60-326-4FS-	1 3/4"	1"		Ra 0.2 (8 Ra) EP	•	×	×	×	×
	NPT 1/4"	60-326-4N-	1 1/8"			Ra 0.8 32 Ra) EP	•	×	×	×	•
	Blank Plug	50-326-BP-	1 1/8"			-	•	0	×	×	•
330	FS 1/4"	60-330-4FS-	1 3/4"	1"		Ra 0.2 (8 Ra) EP	•	×	×	×	×
	NPT 1/4"	60-330-4N-	1 1/8"			Ra 0.8 (32 Ra) EP	•	×	×	×	•
	Blank Plug	50-330-BP-	1 1/8"			-	•	0	×	×	•
346	FS 1/4"	60-346-4FS-	1 7/8"	1"		Ra 0.2 (8 Ra) EP	•	×	×	×	×
	NPT 1/4"	60-346-4N-	1 3/8"			Ra 0.8 32 Ra) EP	•	×	×	×	0
	Blank Plug	50-346-BP-	1 1/8"			-	•	0	×	×	0
350	FS 1/4"	60-350-4FS-	1 7/8"	1"		Ra 0.2 (8 Ra) EP	•	×	×	×	×
	NPT 1/4"	60-350-4N-	1 3/8"			Ra 0.8 (32 Ra) EP	•	×	×	×	•
	Blank Plug	50-350-BP-	1 1/8"			-	•	0	×	×	•
510	FS 1/4"	60-510-4FS-	2"	1 1/8"		Ra 0.2 (8 Ra) EP	•	×	×	×	×
	NPT 1/4"	60-510-4N-	2"			Ra 0.8 32 Ra) EP	•	×	×	×	•
	Blank Plug	50-510-BP-	1 3/8"			-	•	0	×	×	•
540	FS 1/4"	60-540-4FS-	1 7/8"	1"		Ra 0.2 (8 Ra) EP	•	×	×	×	×
	NPT 1/4"	60-540-4N-	1 1/2"			Ra 0.8 (32 Ra) EP	•	×	×	×	•
	Blank Plug	50-540-BP-	1 1/8"			-	•	0	×	×	•
580	FS 1/4"	60-580-4FS-	2"	1 1/4"		Ra 0.2 (8 Ra) EP	•	×	×	×	×
	NPT 1/4"	60-580-4N-	2"			Ra 0.8 32 Ra) EP	•	×	×	×	•
	Blank Plug	50-580-BP-	1 3/8"			-	•	0	×	×	•
590	FS 1/4"	60-590-4FS-	2"	1 1/4"		Ra 0.2 (8 Ra) EP	•	×	×	×	×
	NPT 1/4"	60-590-4N-	2"			Ra 0.8 (32 Ra) EP	•	×	×	×	•
	Blank Plug	50-590-BP-	1 3/8"			-	•	0	×	×	•
660	FS 1/4"	60-660-4FS-	1 1/2"	1 1/8"		Ra 0.2 (8 Ra) EP	•	×	0	0	×
	NPT 1/4"	60-660-4N-	1 1/4"			Ra 0.8 32 Ra) EP	•	×	0	0	•
	Blank Plug	50-660-BP-	7/8"			-	•	0	0	0	•
670	FS 1/4"	60-670-4FS-	1 1/2"	1 1/8"		Ra 0.2 (8 Ra) EP	•	×	0	0	×
	NPT 1/4"	60-670-4N-	1 1/4"			Ra 0.8 (32 Ra) EP	•	×	0	0	0
	Blank Plug	50-670-BP-	7/8"			-	•	0	0	0	0
677	FS 1/4"	60-677-4FS-	1 1/2"	1 1/8"		Ra 0.2 (8 Ra) EP	•	×	0	0	×
	NPT 1/4"	60-677-4N-	1 3/8"			Ra 0.8 32 Ra) EP	•	×	0	0	•
	Blank Plug	50-677-BP-	1"			-	•	0	0	0	•
678	FS 1/4"	60-678-4FS-	1 1/2"	1 1/8"		Ra 0.2 (8 Ra) EP	•	×	0	0	×
	NPT 1/4"	60-678-4N-	1 3/8"			Ra 0.8 (32 Ra) EP	•	×	0	0	0
	Blank Plug	50-678-BP-	1"			-	•	0	0	0	0
679	FS 1/4"	60-679-4FS-	1 3/4"	1 1/8"		Ra 0.2 (8 Ra) EP	•	×	0	0	×
	NPT 1/4"	60-679-4N-	1 1/4"			Ra 0.8 32 Ra) EP	•	×	0	0	0
	Blank Plug	50-679-BP-	7/8"			-	•	0	0	0	0

• = available
0 = on request
× = not available

ADAPTORS FACE SEAL



ADAPTORS NPT



CONNECTORS BLANK CAPS

