

SERIES S 70 / D 70 | CONSTANT FLOW REGULATOR

TEESING

WWW.TEESING.COM

- Piston single stage
- Purity up to 6.0
- Inlet pressure: 200 bar (2900 psi)
- Outlet pressure: 4,13 bar (60 psi)
- Rear inlet

- ★ Extreme accurate flow delivery
- ★ Compact design
- ★ 1 inlet / 1 outlet
- ★ O₂ application compatible

Special requirements on request

APPLICATIONS

- Designed for calibration applications where predetermined pressure and flow are required, and for portable cylinder use.

KEY FEATURES

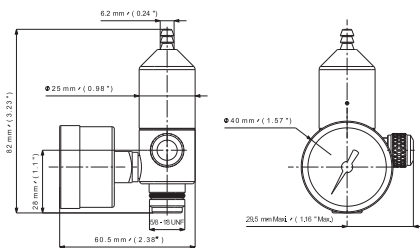
- This piston regulator has 1 inlet/1 outlet.
- Exist as single (S 70) or dual stage (D 70 special version).
- Compact, light weight design, ideal for portability.
- Hand tightened assembly to cylinder is excellent for field applications.
- Actuation with control knob or push button.
- Please indicate, on any order, the maximum inlet pressure, the setting pressure and the set flow.



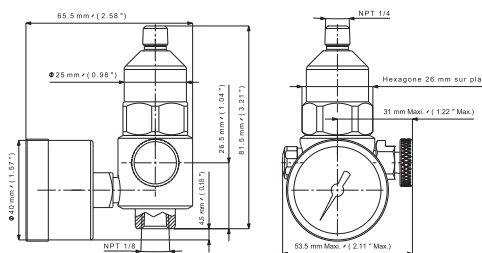
S70 single stage

D70 dual stage

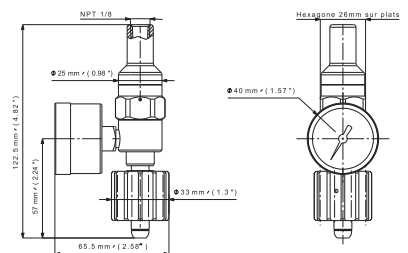
CK - CONTROL KNOB



PB - PUSH BUTTON



NV - NO VALVE



SPECIFICATIONS

Female ports	Inlet: C10 or 1/8 NPT Outlet: Hose barb or 1/8 NPT	Weight	± 0,31 kg ± 0.83 lbs	Inlet pressure	200 bar 2900 psi
Seat seal	PCTFE	Leak rate	1.10 ⁻⁴ mbar ℓ/s He	Outlet pressure	4,13 bar (60 psi) - standard 2,06 bar (30 psi) - option
O-ring	FPM - Standard EPDM NBR	Temperature range	-20°C to + 60°C -4°F to + 140°F	Nominal Flow	preset from 0,25 to 7 lpm
Piston	Brass (brass version) AISI 303 (SS version)	Gauges	High pressure 1/8 NPT	Oxygen use	OK for brass and stainless steel
Actuation	Control knob or Push button				

PRODUCT CONFIGURATOR

Body Material		Outlet Pressure	Inlet Connection	Outlet Connection	Actuation	O-ring Material	Gauge						
S	L	70	60	C10	HB	FPM	1						
	L		4,13 bar (60 psi) - standard	60	5/8" x 18 UNF	C10	Hose barb	HB	Control Knob standard	CK	FPM standard	Without	0
	I		2,06 bar (30 psi)	30	NPT 1/8 - Female	N	NPT 1/8 - Female	N1	Push Buton	PB	EPDM	With 1000 psi	1
							NPT 1/8 - Male	N2	No valve	NV	NBR	With 3000 psi	2
												With 4000 psi	3
												With 315 bar	4

SERIES S 75 | CONSTANT FLOW REGULATOR

- Piston single stage
- Purity up to 6.0
- Inlet pressure:
200 bar (2900 psi)
- Outlet pressure:
3,5/6 bar (50/87 psi)
- Rear inlet
- Flow selector (0,3 - 15 lpm)

- ★ Extremely accurate flow delivery
- ★ Compact design
- ★ 1 inlet / 1 outlet
- ★ O₂ application compatible (brass only)

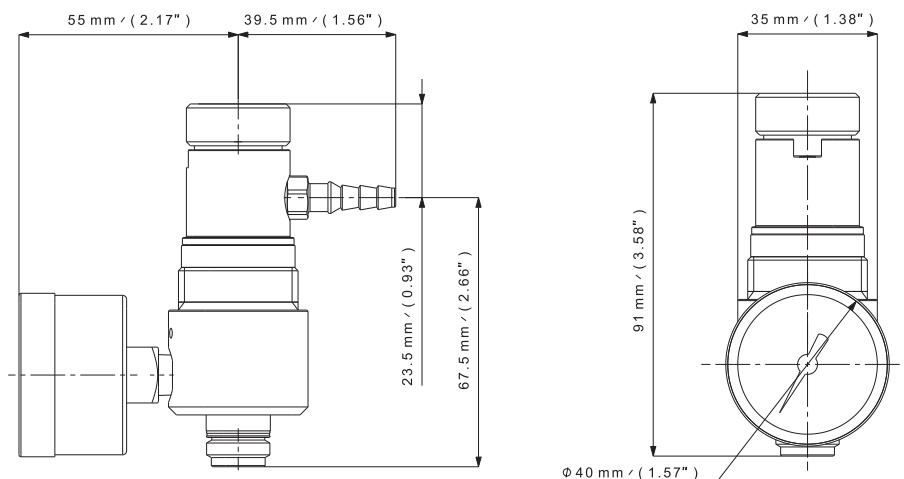
Special requirements on request

APPLICATIONS

- Designed for calibration applications where predetermined pressure and adjustable flow are required, and for portable cylinder use.

KEY FEATURES

- Piston technology allows having a very stable flow outlet pressure.
- Equipped with a flow selector (10 positions) with 3 different maximum outlet flows (3 - 5 - 15 lpm).
- Compact, light weight design, ideal for portability.
- Integrated safety relief valve.



SPECIFICATIONS

Female ports	Inlet: C 10 or ¼ NPT Outlet: Hose barb or DR 6 or ¼" tube fitting	Weight	± 0,70 kg ± 1.54 lbs	Inlet pressure	200 bar 2900 psi
Seat seal	PCTFE	Leak rate	10 ⁻⁴ mbar ℓ/s He	Outlet pressure	3,5 bar (50 psi) - standard 6 bar (87 psi) - option
O-ring	FPM - Standard EPDM NBR	Temperature range	-20°C to +60°C -4°F to +140°F	Nominal Flow	Preset from 0,3 to 15 lpm
Piston	Brass (brass version) AISI 316L (SS version)	Gauges	High pressure (⅛ NPT)	Oxygen use	Brass only

NOMINAL FLOW SETTINGS (lpm)

B03	B05	B15
0,3	0,5	1
0,5	0,75	1,5
0,7	1	2
0,9	1,5	3
1,2	2	4
1,5	2,5	5
2	3	8
2,5	4	10
3	5	15



PRODUCT CONFIGURATOR

S	Body Material		75	Outlet Pressure		Inlet Connection		Outlet Connection		Flow Selector		O-ring Material		Gauge	
	L			3.5	3.5	C10	HB	B05	FPM	1					
Nickel plated brass	L		3.5 bar 50 psi - standard	3.5	5/8" x 18 UNF	C10	Hose barb (standard)	HB	3 lpm	B03	FPM - standard	Without	0		
Stainless steel	I		6 bar 87 psi	6	NPT ¼ - Female	N	NPT ⅛ - Female	N1	5 lpm - standard	B05	EPDM	With 4000 psi	1		
							6 mm tube fitting	DB6	15 lpm	B15	NBR	With 315 bar	2		
							¼ tube fitting	DB ¼							