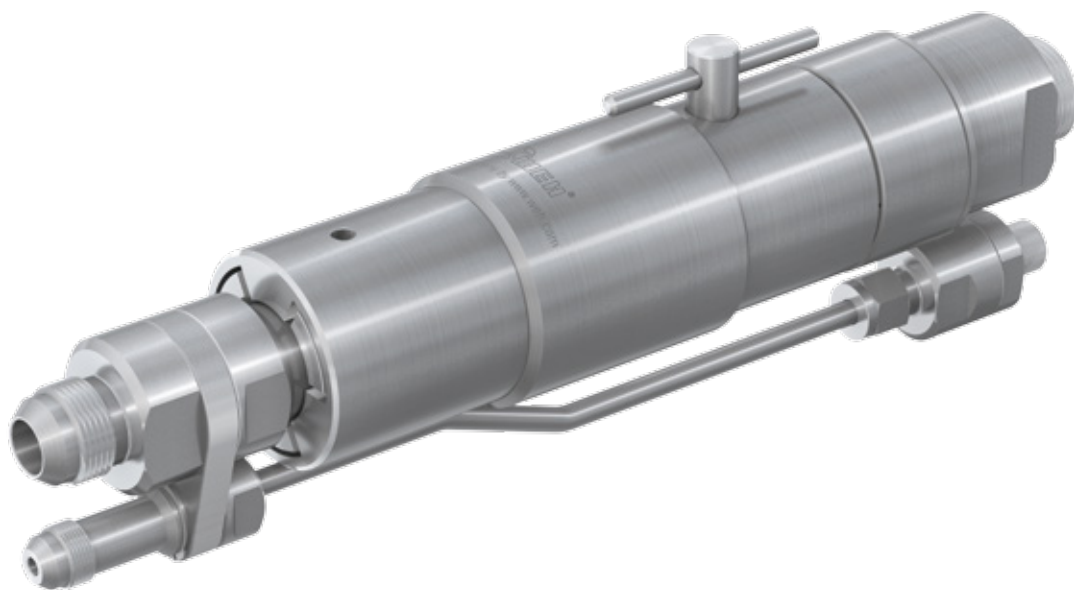


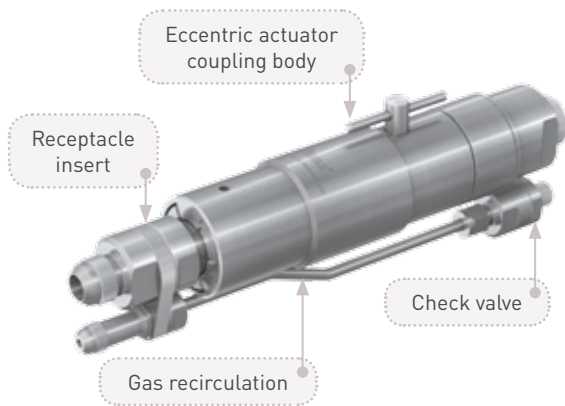
Typ **TSA5 H₂**

WEH[®] Breakaway Coupling
for bus and truck fuelling stations



General

DESCRIPTION



Features

- Re-usable without factory reservicing
- Installation at the dispenser
- Small compact design
- Integrated cleanable filter (40 micron)
- Check valve at venting line
- No additional tool necessary

The WEH[®] TSA5 H₂ Breakaway Coupling offers additional safety for your bus and truck fuelling station. The breakaway is installed between the dispenser and the filling/venting hose. In the event of accidental deployment, e.g. driving a vehicle from the dispenser with the nozzle remaining in the vehicle fuel port, the coupling will separate the connections between dispenser and hose sealing both ends. This protects largely the receptacle, the fuelling nozzle and the dispenser against damage. The detached coupling can be easily reattached and placed back in service after having been function tested.

The integrated filter provides clean hydrogen and is easy to maintain.

The WEH[®] Breakaway Coupling consists of a coupling body, a receptacle insert and a gas recirculation with check valve.

On request we also offer complete nozzle-hose-assemblies consisting of a fuelling nozzle, a hose set and a breakaway coupling.

Application

Breakaway coupling for bus and truck fuelling stations for direct installation at the dispenser.

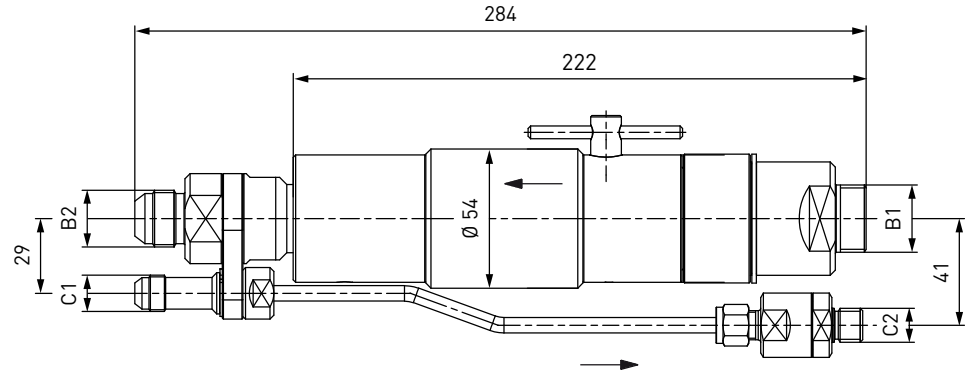
TECHNICAL DATA

Characteristic	Basic version	Options
Nominal bore DN	12 mm	On request
Pressure range	PN = 350 bar (5,000 psi) PS = 450 bar PT = 675 bar	
Temperature range	-40 °C up to +85 °C (-40 °F up to +185 °F)	On request
Breakaway force	300 - 600 N	On request
Material	Corrosion resistant stainless steel, aluminium	On request
Sealing material	Hydrogen compatible	On request
Design	With gas recirculation and filter (40 micron)	On request
Registration	PED97/23/EC: CE0036	

Ordering

ORDERING | WEH® TSA5 H₂ Breakaway Coupling with gas recirculation

approx. dimensions (mm)



Part No.	Description	DN	Pressure (PN)	B1 (external thread)	B2 (external thread)	C1 (external thread)	C2 (external thread)
C1-17941	TSA5 H ₂ with filter (40 micron)	12	350 bar / 5,000 psi	G3/4"	UNF 7/8"-14*	UNF 9/16"-18*	G1/4"

* acc. to SAE J514, 37°

Accessories

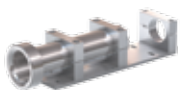
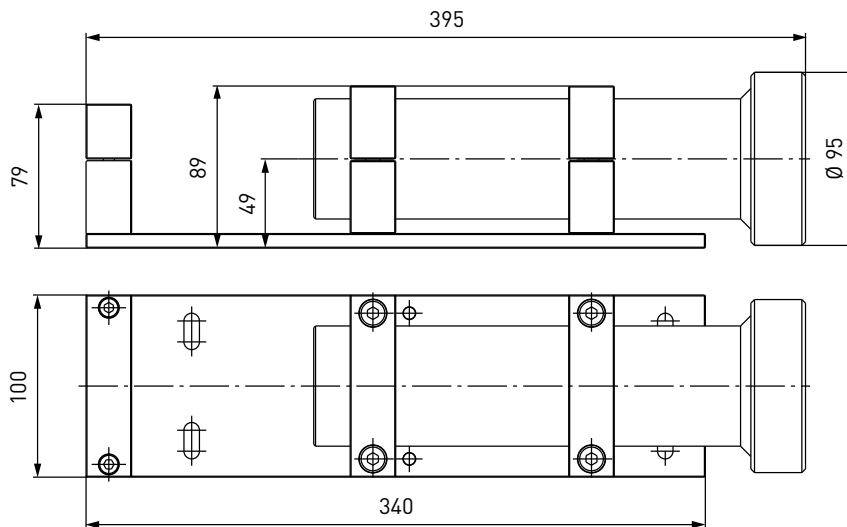
ACCESSORIES

The following accessories are available for the WEH® TSA5 H₂ Breakaway Coupling:

Dispenser mounting for breakaway coupling

The breakaway coupling can also be used with a dispenser mounting. The mounting is firmly attached to the dispenser. The integrated guide tube provides a straight pull-off force. The dispenser mounting can be used instead of a return pulley (hose pulley).

approx. dimensions (mm)



Part No.	Description
C1-82110	Dispenser mounting for TSA5 H ₂

Return pulley (hose pulley)

Return pulley for breakaway couplings to be used at H₂ fuelling stations.



Part No.	Description
C1-46287	Return pulley (hose pulley)

Accessories

Filling and venting hoses

Suitable filling and venting hoses for the TSA5 H₂ breakaway coupling are available on request.

Fittings

Stainless steel fittings for connecting port 'B2' to the filling hose resp. port 'C1' to the venting hose are available on request.

Spare parts

Various parts are available as spares for the TSA5 H₂ breakaway coupling:

Part No.	Description
W63194	Receptacle insert for TSA5 H ₂ with gas recirculation
C1-119726	Spare seal set for receptacle insert W63194
E69-9062	Wire filter insert 40 micron
E69-46414	Copper disc for G1/4" external thread (port C2)
E69-45951	Copper disc for G3/4" external thread (port B1)

Other products

OTHER PRODUCTS

You will find more products in our current catalogue no. 50



Further information on our homepage
www.weh.com

» Contacting

For queries and further information, please do not hesitate to contact us.

Manufacturer:

WEH GmbH Gas Technology

Josef-Henle-Str. 1
89257 Illertissen / Germany

Phone: +49 7303 95190-0

Fax: +49 7303 95190-9999

eMail: h2sales@weh.com

www.weh.com