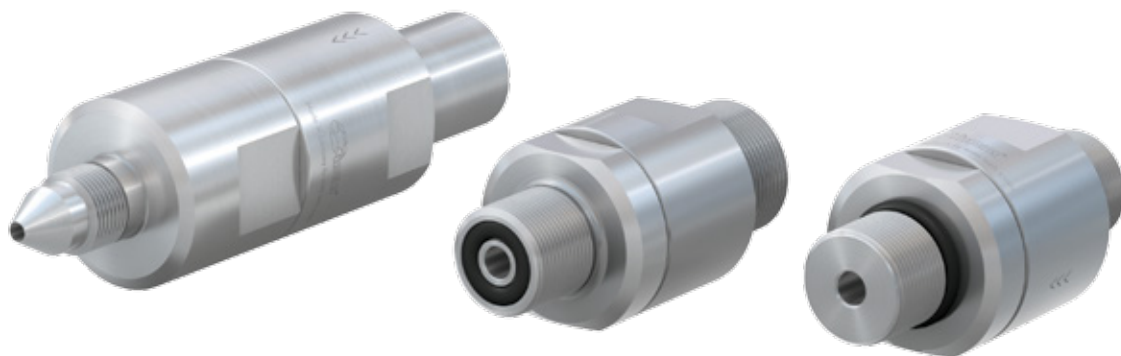


# Type **TVR1 H<sub>2</sub> 70 MPa**

**WEH<sup>®</sup> Check Valve**

for cars and fuelling stations



## General

### DESCRIPTION



#### Features

- Robust construction
- Low-noise opening and closing
- Corrosion resistant stainless steel
- High leak tightness

With the TVR1 H<sub>2</sub> 70 MPa WEH offers a high performance check valve for use with hydrogen cars or fuelling stations of the latest generation. The check valve system is designed to minimize the effect of dirt particles on the sealing components within the unit. The WEH® TVR1 H<sub>2</sub> 70 MPa Check Valve is constructed of corrosion-resistant stainless steel achieving a very durable unit due to its robust internal structure.

#### Application

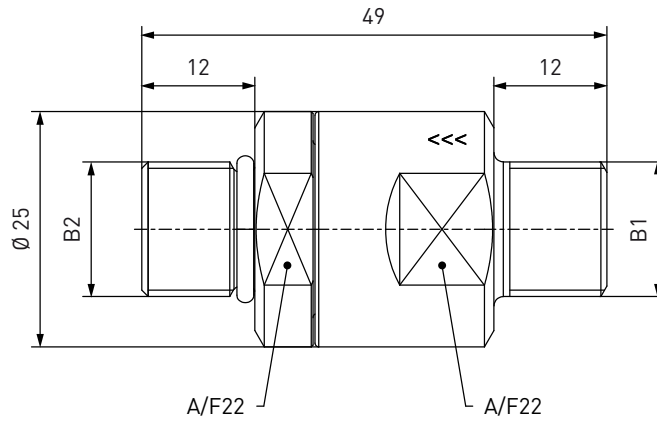
Check valve for cars (e1 approval), also suitable for installation in fuelling stations (CE approval).

### TECHNICAL DATA

Characteristic	Basic version	Options
Nominal bore DN	Max. 4 mm, depending on design	On request
Pressure range	PN = 700 bar (10,000 psi)   PS = 875 bar   PT = 1255 bar	
Temperature range	-40 °C up to +85 °C (-40 °F up to +185 °F)	On request
Material	Corrosion resistant stainless steel	On request
Sealing material	Hydrogen compatible	On request
Design	With resp. without integrated particle filter (20 micron) and incl. fittings (only for check valves with tube fitting)	On request
Registration	<b>e 1</b> 00 0009 (Regulation (EC) No. 79/2009)	CE approval on request

**Ordering**

**ORDERING** | WEH® TVR1 H<sub>2</sub> 70 MPa Check Valve with external thread on both sides (Face Seal at the inlet)  
 approx. dimensions (mm)

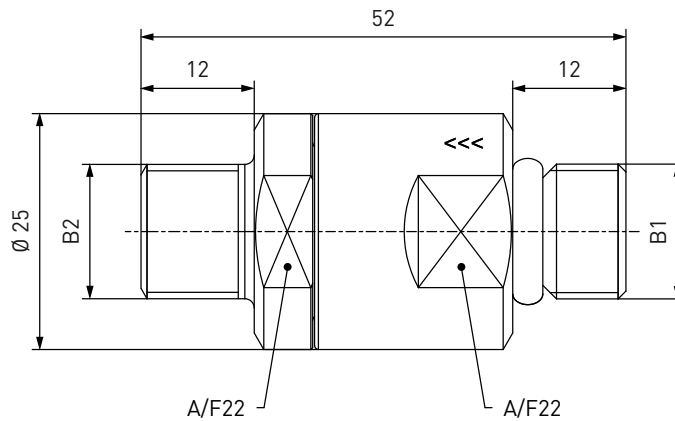


Part No.	Description	DN	Pressure (PN)	Inlet B1 (external thread)	Outlet B2 (external thread)
<b>C1-117366</b>	TVR1 H <sub>2</sub> 70 MPa (e1)	4	700 bar / 10,000 psi	UNF 9/16"-18 for sealing with O-Lok® Face Seal** for tube Ø 6 (1/4")	UNF 9/16"-18*

\* acc. to SAE J1926

\*\* Face Seal acc. to SAE J1453

**ORDERING** | WEH® TVR1 H<sub>2</sub> 70 MPa Check Valve with external thread on both sides (Face Seal at the outlet)  
 approx. dimensions (mm)



Part No.	Description	DN	Pressure (PN)	Inlet B1 (external thread)	Outlet B2 (external thread)
<b>C1-76958</b>	TVR1 H <sub>2</sub> 70 MPa (e1)	4	700 bar / 10,000 psi	UNF 9/16"-18*	UNF 9/16"-18 for sealing with O-Lok® Face Seal** for tube Ø 6 (1/4")

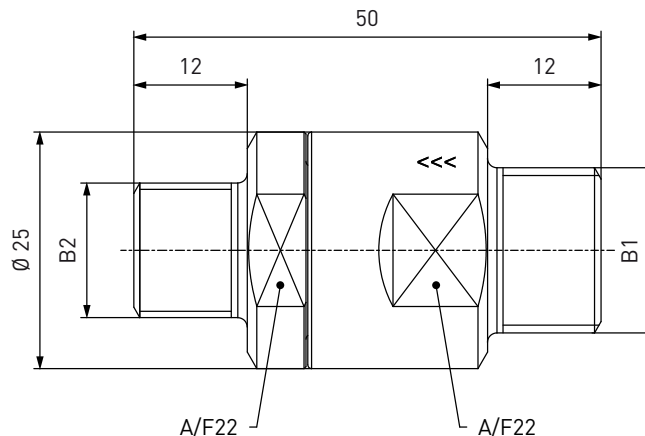
\* acc. to SAE J1926

\*\* Face Seal acc. to SAE J1453

**Ordering**

**ORDERING** | WEH® TVR1 H<sub>2</sub> 70 MPa Check Valve with external thread on both sides (Face Seal on both sides)

approx. dimensions (mm)

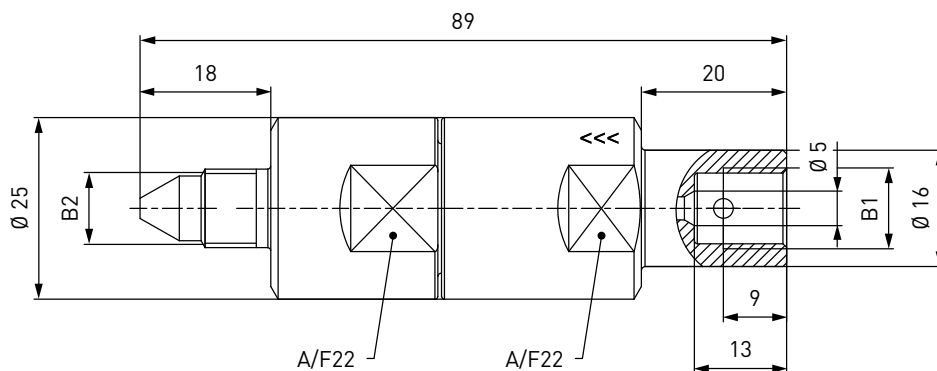


Part No.	Description	DN	Pressure (PN)	Inlet B1 (external thread)	Outlet B2 (external thread)
<b>C1-76959</b>	TVR1 H <sub>2</sub> 70 MPa (e1)	4	700 bar / 10,000 psi	UN 11/16"-16 for sealing with O-Lok® Face Seal* for tube Ø 10 (3/8")	UNF 9/16"-18 for sealing with O-Lok® Face Seal* for tube Ø 6 (1/4")

\* Face Seal acc. to SAE J1453

**ORDERING** | WEH® TVR1 H<sub>2</sub> 70 MPa Check Valve with internal / external thread and filter (20 micron)

approx. dimensions (mm)



Part No.	Description	DN	Pressure (PN)	Inlet B1 (internal thread)	Outlet B2 (external thread)
<b>C1-87743</b>	TVR1 H <sub>2</sub> 70 MPa (e1)	2.5	700 bar / 10,000 psi	UNF 7/16"-20*	UNF 7/16"-20**

\* 60° cone, MP-fitting

\*\* 59° cone, MP-fitting

Other connection sizes and versions on request.

**Other products**

**OTHER PRODUCTS**

You will find more products in our current catalogue no. 50



Further information on our homepage  
[www.weh.com](http://www.weh.com)

**» Contacting**

For queries and further information, please do not hesitate to contact us.

*Manufacturer:*

**WEH GmbH Gas Technology**

Josef-Henle-Str. 1  
89257 Illertissen / Germany

Phone: +49 7303 95190-0  
Fax: +49 7303 95190-9999

eMail: [h2sales@weh.com](mailto:h2sales@weh.com)  
[www.weh.com](http://www.weh.com)

