

Type **TSF2 CNG**

Coalescing Filter

for installation onboard CNG vehicles and in fuelling stations



General

DESCRIPTION



Features

- Fine filter with high particle removal efficiency (efficiency of approx. 99.9% > 0.3 micron)
- For installation onboard CNG vehicles and in fuelling stations
- Protection of critical components in the fuel system
- Laterally offset flow possible
- Aluminium construction
- Ease of maintenance

Clean, filtered gases are essential to guarantee the proper function of components for vehicles and fuelling stations when refuelling with natural gas. The WEH® TSF2 CNG coalescing filter was developed to remove particles from the gas flow. When filtering the gas flow, the coalescing filter reliably removes contaminants such as oil, water and dirt particles which are contained in the gas. This contamination is isolated by the coalescing filter. Natural gas flows through the filter, whereas contaminants such as oil, water and other aerosols coalesce, and drop into the sump of the filter, where they are separated into a drain port.

The filters are easy to maintain and can be installed onboard vehicles and in fuelling stations at any time.

Application

Coalescing filter for installation onboard CNG vehicles and in fuelling stations.

Only use filters with ECE approval for fitment in vehicles!

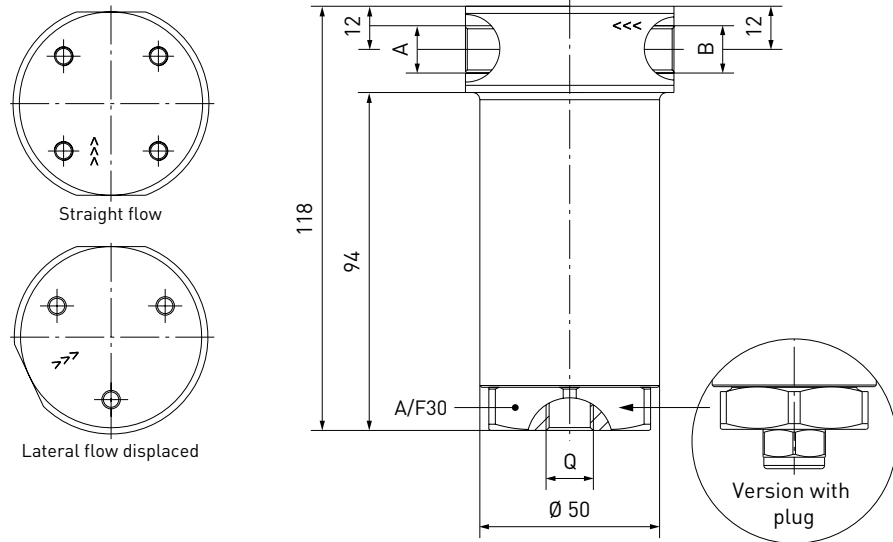
TECHNICAL DATA

Characteristic	Basic version	Options
Nominal bore DN	Depending on design	On request
Pressure range	PN = 200 bar (3,000 psi) PS = 260 bar PT = 390 bar (ECE)	
Temperature range	-40 °C up to +120 °C (-40 °F up to +248 °F)	On request
Material	Corrosion resistant Housing: aluminium	On request
Sealing material	Natural gas compatible	On request
Filter element	< 1 micron	On request
Registration	E1 110R-000189 (ECE)	

Ordering

ORDERING | Coalescing filter TSF2 CNG with filter cartridge \varnothing 25.4 mm

approx. dimensions (mm)



Part No.	Description	DN	Pressure (PN)	Inlet B (internal thread)	Outlet A (internal thread)	Drain port Q (internal thread)
C1-82999**	TSF2 CNG	4	200 bar / 3,000 psi	NPT 1/4"	NPT 1/4"	UNF 9/16" -18*
C1-79766**	TSF2 CNG	4	200 bar / 3,000 psi	UNF 9/16" -18*	UNF 9/16" -18*	UNF 9/16" -18*
C1-81722	TSF2 CNG	4	200 bar / 3,000 psi	G1/4"	G1/4"	G1/4"
C1-81766	TSF2 CNG	4	200 bar / 3,000 psi	G1/4"	G1/4" flow direction 115° RH	G1/4"

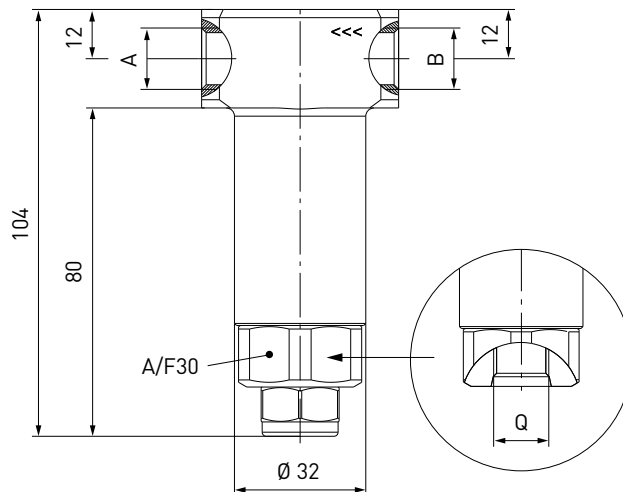
* acc. to SAE J1926

** incl. plug with o-ring

Ordering

ORDERING | Coalescing filter TSF2 CNG with filter cartridge \varnothing 19.3 mm

approx. dimensions (mm)



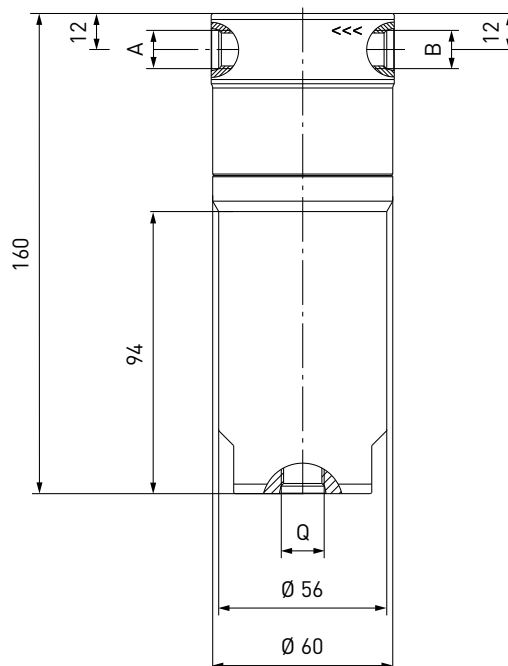
Part No.	Description	DN	Pressure (PN)	Inlet B (internal thread)	Outlet A (internal thread)	Drain port Q (internal thread)
C1-89582**	TSF2 CNG	4	200 bar / 3,000 psi	NPT 1/4"	NPT 1/4"	UNF 9/16"-18*

* acc. to SAE J1926

** incl. plug with o-ring

ORDERING | Coalescing filter TSF2 CNG with filter cartridge \varnothing 38.0 mm

approx. dimensions (mm)



Part No.	Description	DN	Pressure (PN)	Inlet B (internal thread)	Outlet A (internal thread)	Drain port Q (internal thread)
C1-89633	TSF2 CNG	10	200 bar / 3,000 psi	UNF 9/16"-18*	UNF 9/16"-18*	UNF 9/16"-18*

* acc. to SAE J1926

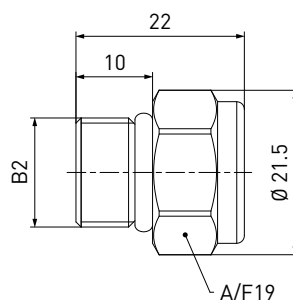
Ordering

ACCESSORIES

The following accessories are available for type TSF2 CNG coalescing filter:

Plug

Plug with o-ring for closing the drain port 'Q' (end of the filter).
Design: Plug incl. polyurethane o-ring



Part No.	Description	Connection A
E69-93336	Plug with o-ring	UNF 9/16"-18* external thread
E69-108334	Plug with o-ring	G1/4" external thread

* acc. to SAE J1926

Filter cartridge Ø 19.3

For type TSF2 CNG with filter cartridge Ø 19.3 mm
Design: outer Ø 19.3 mm, inner Ø 12.5 mm



Part No.	Description	Length
E69-89541	for C1-89582	40.0 mm

Filter cartridge Ø 25.4

For type TSF2 CNG with filter cartridge Ø 25.4 mm
Design: outer Ø 25.4 mm, inner Ø 12.5 mm



Part No.	Description	Length
E69-79770	for C1-82999, C1-81766, C1-81722, C1-67454	56.0 mm

Filter cartridge Ø 38.0

For type TSF2 CNG with filter cartridge Ø 38.0 mm
Design: outer Ø 38.0 mm, inner Ø 22.5 mm



Part No.	Description	Length
E69-89626	for C1-89633	90.0 mm

Other products

OTHER PRODUCTS

You will find more products in our current catalogue no. 15



Further information on our homepage
www.weh.com

© All rights reserved, WEH GmbH 2013. Any unauthorized use is strictly forbidden. Subject to alteration. No liability will be assumed for any content. Herewith previous versions are no longer valid.

» Contacting

For queries and further information, please do not hesitate to contact us.

Manufacturer:

WEH GmbH Gas Technology

Josef-Henle-Str. 1
89257 Illertissen / Germany

Phone: +49 7303 95190-0

Fax: +49 7303 95190-9999

eMail: ngvsales@weh.com

www.weh.com