

# Type **TK23 CNG**

## Defuelling Nozzle

for discharging of CNG



**General**

**DESCRIPTION**



**Features**

- Push-Pull actuation
- Extremely high flow rate
- Plastic thermal protection
- WEH® Jaw locking mechanism
- High-grade materials
- Compact design

The TK23 CNG defuelling nozzle is designed specifically for evacuating and discharging CNG of cylinder bundles (e.g. on trailers).

The type TK23 CNG is equipped with a pin, which opens the check valve in the type TN5 CNG receptacle (without filter) and releases the flow. Now the CNG can be discharged from the cylinder bundles. Connecting and disconnecting can only occur in depressurised condition. The TK23 CNG is not equipped with an integrated check valve.

The WEH® TK23 CNG defuelling nozzle is suitable for WEH® TN5 CNG receptacles without filter and with PEEK seal (see accessories).

**Application**

Defuelling nozzle for discharging of CNG to be used with WEH® TN5 CNG receptacles without filter. Operation only by specially trained service personnel. Not for self-service operation!

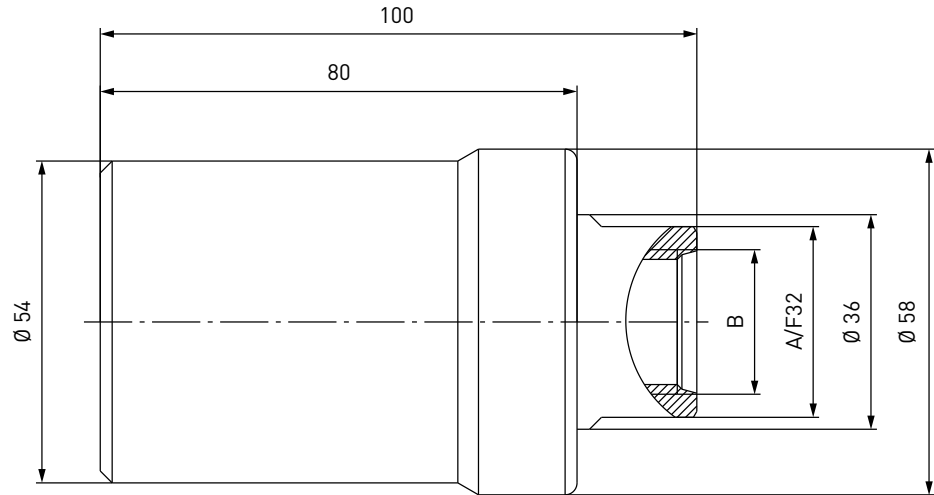
**TECHNICAL DATA**

Characteristic	Basic version	Options
Nominal bore DN	Depending on design	On request
Pressure range	PN = 200 bar (3,000 psi)   PS = 300 bar   PT = 450 bar (CE) PN = 200 bar (3,000 psi)   PS = 260 bar   PT = 390 bar (ECE)	
Temperature range	TK23 CNG: -40 °C up to +85 °C [-40 °F up to +185 °F] TN5 CNG: -40°C up to +120 °C [-40 °F up to +248 °F]	On request
Material	Corrosion resistant	On request
Sealing material	Natural gas compatible	On request
Design	TK23 CNG: With plastic thermal protection TN5 CNG: Incl. fittings (only for nozzles with tube fitting)	On request
Weight	Approx. 1 kg (2.20 lbs.)	
Registration	PED97/23/EC: CE0036 (CE) E1 110R-000007 (ECE)	

**Ordering**

**ORDERING** | Defuelling nozzle TK23 CNG

approx. dimensions (mm)



Part No.	Description	DN	Pressure (PN)	Discharge B (internal thread)
<b>C1-58985</b>	TK23 CNG (CE)	10	200 bar / 3,000 psi	UNF 7/8" -14*

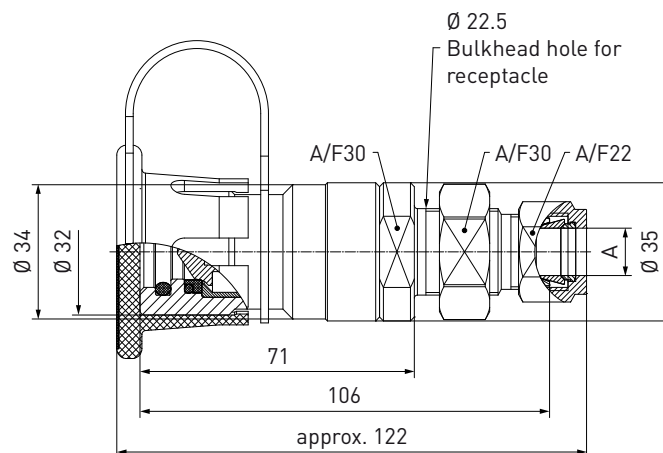
\* acc. to SAE J1926  
Other connection sizes and versions on request

**ACCESSORIES**

The following accessories are available for type TK23 CNG:

**Receptacle TN5 CNG with tube fitting and PEEK seal (without filter, for TK23 CNG)**

approx. dimensions (mm)



Part No.	Description	DN	Pressure (PN)	Connection A
<b>C1-71939</b>	TN5 CNG (CE)	10	200 bar / 3,000 psi	Tube Ø 12*
<b>C1-77635</b>	TN5 CNG (CE)	10	200 bar / 3,000 psi	Tube Ø 1/2"*
<b>C1-71938</b>	TN5 CNG (CE)	14	200 bar / 3,000 psi	Tube Ø 16*

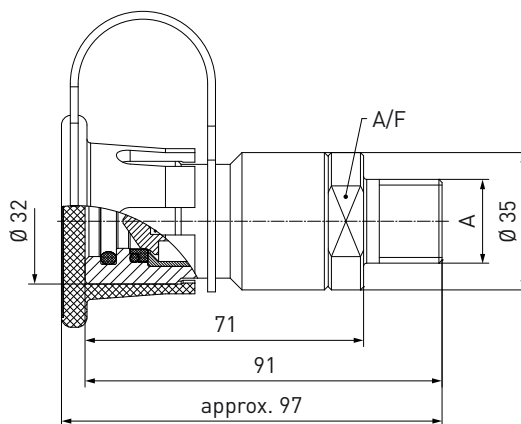
\* double ferrule fitting



**Ordering**

**Receptacle TN5 CNG with external thread and PEEK seal (without filter, for TK23 CNG)**

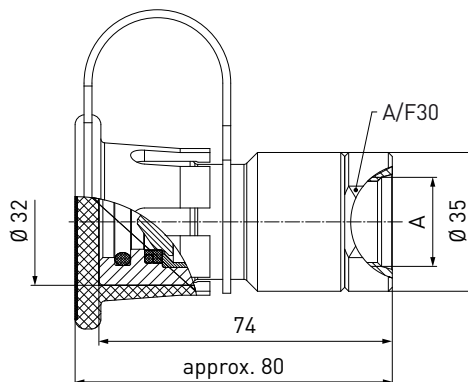
approx. dimensions (mm)



Part No.	Description	DN	Pressure (PN)	Connection A (external thread)	A/F
<b>C1-77638</b>	TN5 CNG (CE)	12	200 bar / 3,000 psi	NPT 1/2"	30
<b>C1-77639</b>	TN5 CNG (CE)	12	200 bar / 3,000 psi	NPT 1"	36

**Receptacle TN5 CNG with internal thread and PEEK seal (without filter, for TK23 CNG)**

approx. dimensions (mm)



Part No.	Description	DN	Pressure (PN)	Connection A (internal thread)
<b>C1-108331</b>	TN5 CNG (ECE)	12	200 bar / 3,000 psi	UNF7/8"-14*

\* acc. to SAE J1926

## Ordering

### Hoses

Hoses for connection to the defuelling nozzle, complete with fittings and press-fittings supported by coil spring stubs.



Part No.	Hose B1/B2 (internal thread)	Hose length
<b>E68-1033-3000</b>	UNF 7/8" -14*	3 m
<b>E68-1033-4000</b>	UNF 7/8" -14*	4 m
<b>E68-1033-5000</b>	UNF 7/8" -14*	5 m

\* acc. to SAE J514, 37°

### Fittings

Stainless steel fittings for connecting the media discharge 'B' to the hose.

Part No.	Description	Connection defuelling nozzle	Connection hose
<b>W6703</b>	Fitting	UNF 7/8" -14* external thread	UNF 7/8" -14** external thread

\* acc. to SAE J514, 37°

\*\* acc. to SAE J1926

Please see page 126 in catalogue no. 15 onwards for a detailed overview on all available fittings.

### Spare parts

Various parts are available as spares for type TK23 CNG:

Part No.	Description
<b>E99-44923</b>	Maintenance spray

## Other products

### OTHER PRODUCTS

You will find more products in our current catalogue no. 15



Further information on our homepage  
[www.weh.com](http://www.weh.com)

#### » Contacting

For queries and further information, please do not hesitate to contact us.

*Manufacturer:*

**WEH GmbH Gas Technology**

Josef-Henle-Str. 1  
89257 Illertissen / Germany

Phone: +49 7303 95190-0

Fax: +49 7303 95190-9999

eMail: [ngvsales@weh.com](mailto:ngvsales@weh.com)

[www.weh.com](http://www.weh.com)