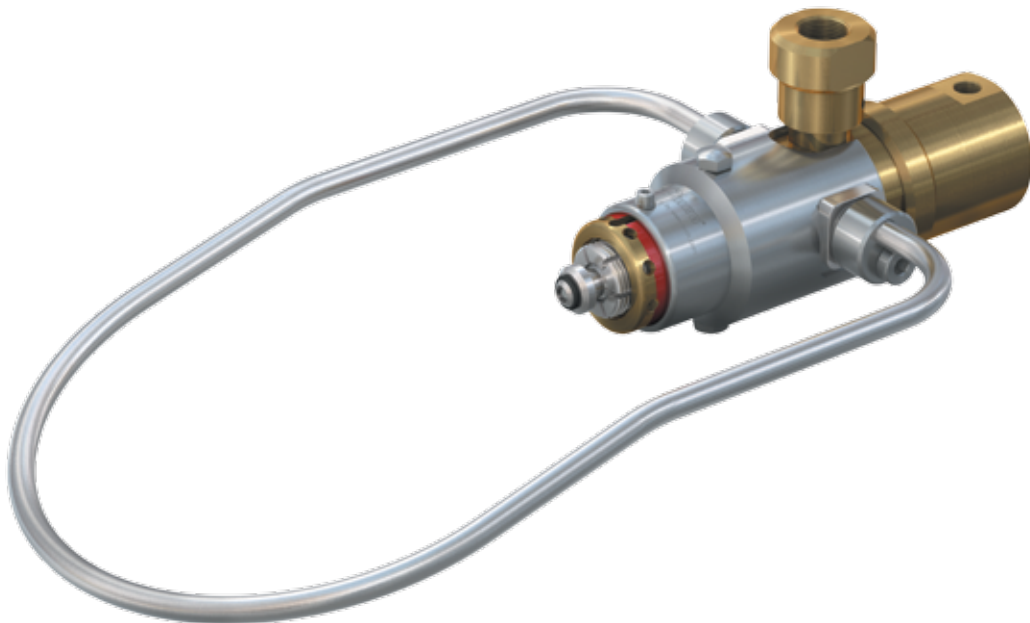


Type **TW101**

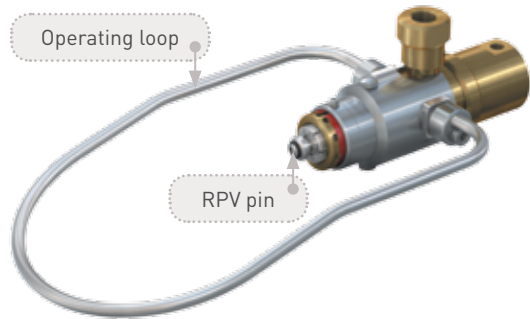
WEH[®] Connector for filling and evacuating of gas cylinders

with internal thread and pressure regulator



General

DESCRIPTION



Features

- For gas cylinders with internal thread and pressure regulator
- Connection in seconds
- No hand tightening required
- Easy to connect
- WEH® Jaw locking mechanism
- Compact design
- High-grade materials

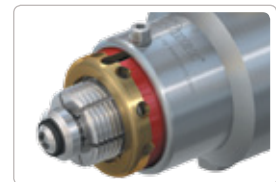
The type TW101 quick connector for gas cylinder valves with internal thread and pressure regulator provides a pressure-tight connection in seconds. The split collet design system locks securely into the cylinder valve thread and seals tightly. The residual pressure valve on the gas cylinder valve opens pneumatically. On request the opening can also be effected manually via hand lever.

Safety features

A fully developed design with simple actuation controlling the functioning of the gas connector. The quick connector cannot be disconnected under pressure because a special safety peg protrudes and locks the connector against removal.

The TW101 quick connector has a red marking at the front part of the connector (see opposite picture) which shows when a proper connection has been made.

Type TW101 for oxygen has venting bores (see opposite picture) in the front sleeve for lateral venting of gas in case of accidental gas leakage, thus preventing pressure built-up in the connector.



Red marking and venting bores

This quick connector is available for gas cylinder valves acc. to DIN, BS, NF, CGA etc. Connectors for oxygen applications are oxygen cleaned and free of oil and grease.

Application

Quick connector for filling and evacuating of gas cylinders with internal thread and pressure regulator.

TECHNICAL DATA

Characteristic	Basic version
Pressure range	PN = 200 bar PS = 250 bar PT = 375 bar
Pilot pressure	Max. 6 - 8 bar (for opening residual pressure valve)
Temperature range	+5 °C up to +60 °C [O ₂]
Connection A	Internal thread connection acc. to the corresponding national standard e.g. DIN, CGA, BS, NF etc.
Medium	Medical oxygen
Actuation	Manual actuation via operating loop (loop depending on type of gas cylinder) Opening / closing of the RPV pin in the valve: via pneumatic pilot pressure line
Material	Corrosion resistant stainless steel, brass
Sealing material	EPDM
Design	Incl. adaptor and RPV pin
Registration	PED 97/23/EC: CE0036 Adiabatic ignition test available

Other designs on request

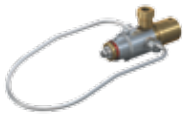
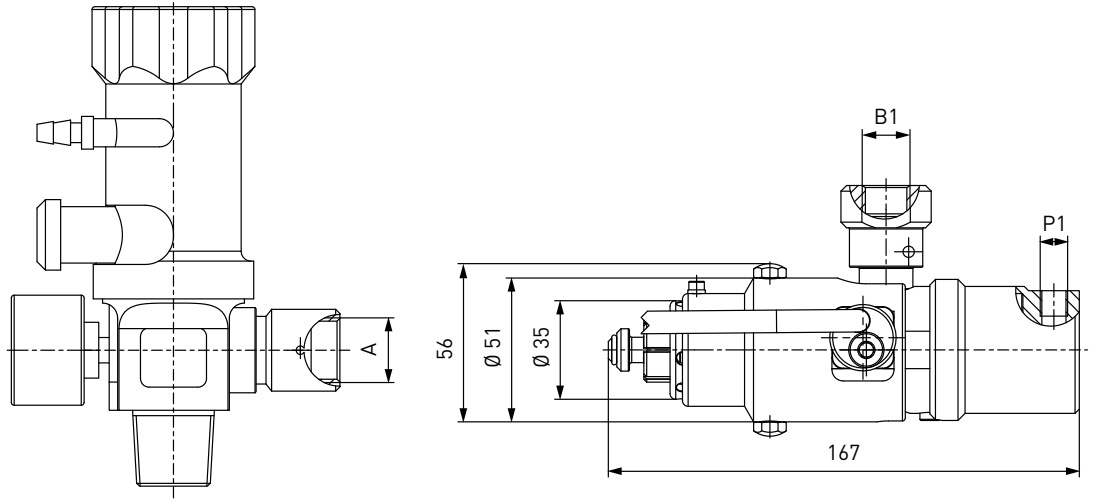
Example of use:



Ordering

ORDERING | Quick connector TW101

approx. dimensions (mm)



Part No.	Description	Connection A	Inlet B1	Pilot pressure port P1 (internal thread)
On request	TW101	On request	On request	G1/8"

Other connection sizes and versions on request.

Accessories

ACCESSORIES

The following accessories are available for type TW101:

Swivel joint TD1

The TD1 swivel joint prevents twisting of the hose and enables the axial aligning of the connector.



Part No.	Description	Inlet B1 (external thread)	Connection B2 (internal thread)
On request	TD1	On request	On request

Actuations

For type TW101 various actuations, e.g. loops, wire ropes, manual lever handles etc. are available in different sizes and forms. Please contact us!

Adaptors

Adaptors for connecting the quick connector to the filling hose are available on request.

Monel® construction

All pressurized parts are also available in Monel®. Please contact us!

Spare parts

Various parts are available as spares for type TW101:

Part No.	Description
On request	Spare seals

Other products

OTHER PRODUCTS

You will find more products in our current catalogue No. 20



Further information on our homepage
www.weh.com

» Contacting

For queries and further information, please do not hesitate to contact us.

Manufacturer:

WEH GmbH Precision Connectors

Josef-Henle-Str. 1
89257 Illertissen / Germany

Phone: +49 7303 9609-0

Fax: +49 7303 9609-9999

eMail: sales@weh.com

www.weh.com