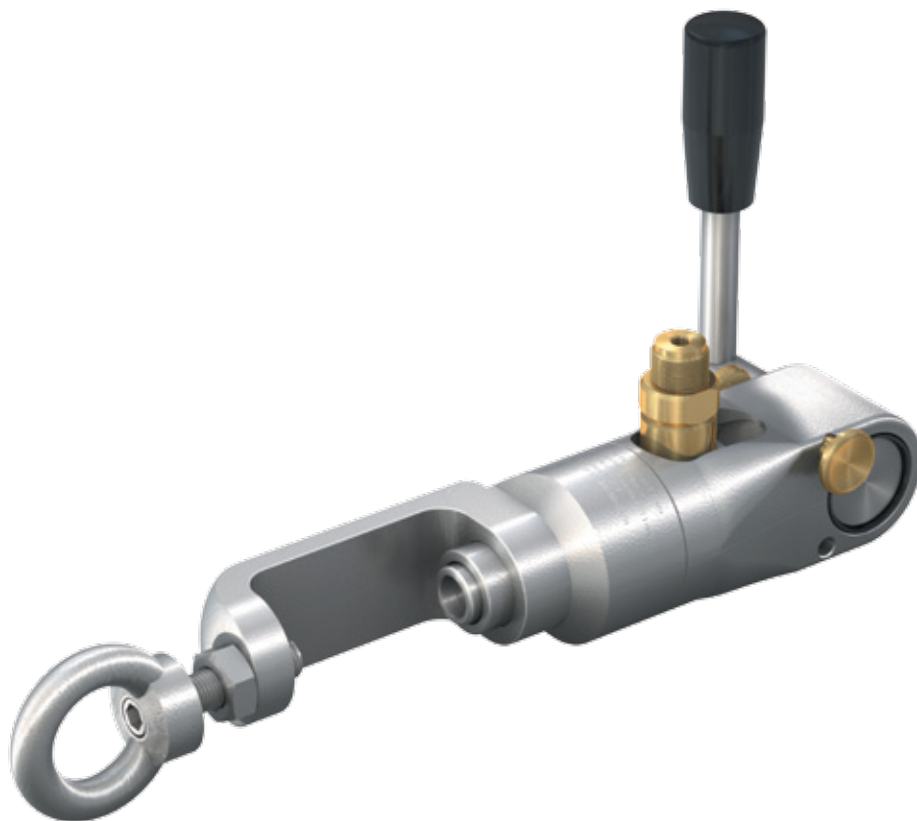


Type **TW53**

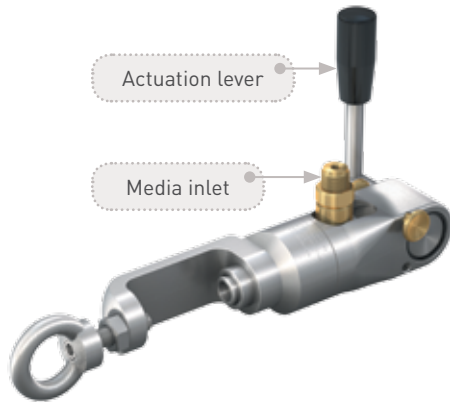
WEH[®] Connector for filling of gas cylinders

with acetylene and acetone



General

DESCRIPTION



Features

- Suitable for filling of acetylene and acetone
- Connection in seconds
- No hand tightening required
- Integrated shut-off valve
- Robust construction
- High-grade materials

The type TW53 quick connector introduces a new generation of connector systems for the industrial filling of acetylene and acetone for cylinder valves acc. to DIN 477 part 1 no. 3. Type TW53 is connected to the gas cylinder valve like a conventional filling device but eliminates screw tightening.

Simply place the TW53 quick connector around the cylinder valve, turn the actuation lever down and the pressure-tight connection is made.

For ease of operating an optional swivel joint is available to be mounted to the media inlet port.

No additional valves required

The integrated shut-off valve prevents the leakage of gas when connecting and disconnecting. An optional check valve prevents the loss of gas in case of damage to the filling valve (flame barrier). The amount of vented gas when disconnecting is always less than 1 cm³ at 1 bar.

Safety tested

The type TW53 is BAM tested and meets the requirements of the technical regulations for acetylene plants (TRAC).

Application

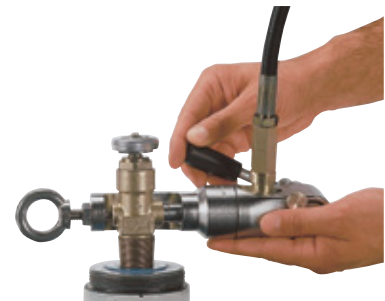
Quick connector for filling of gas cylinders with acetylene and acetone on connection acc. to DIN 477 part 1 no. 3

TECHNICAL DATA

Characteristic	Basic version
Pressure range	PN = 24 bar PS = 30 bar PT = 45 bar
Temperature range	+10 °C up to +60 °C
Connection A	Connection acc. to DIN 477 part 1 no. 3
Medium	Acetylene / acetone
Actuation	Manual actuation via actuation lever
Material	Corrosion resistant stainless steel, brass
Sealing material	EPDM
Registration	Detonative acetylene decomposition test up to 315 bar

Other designs on request

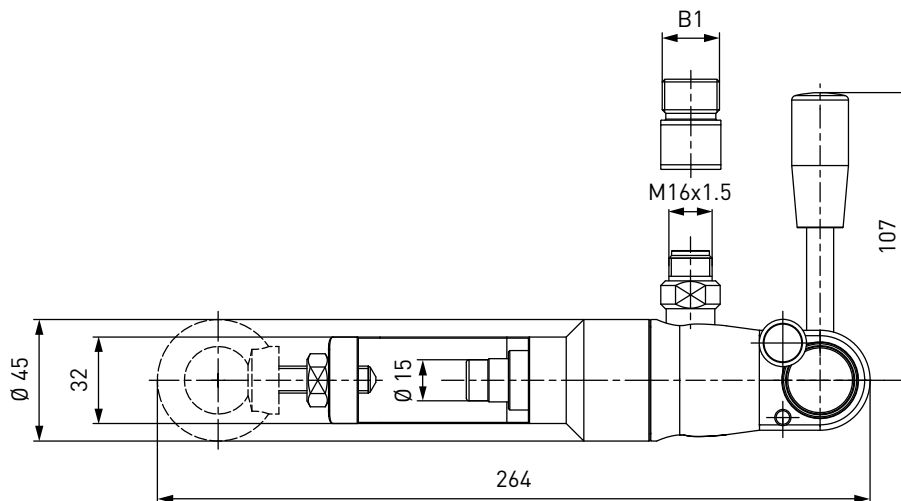
Example of use:



Ordering / Accessories

ORDERING | Quick connector TW53

approx. dimensions (mm)



Part No.	Description	Connection A	Inlet B1 (external thread)
C1-4419*	TW53	DIN 477 part 1 no. 3	G1/2"
C1-80400**	TW53	DIN 477 part 1 no. 3	G1/2"

* with adaptor and integrated check valve

** special connector for large valves [42x42] with adaptor and integrated check valve

Other connection sizes and versions on request.

ACCESSORIES

The following accessories are available for type TW53:

Swivel joint TD1

The TD1 swivel joint prevents twisting of the hose and enables the axial aligning of the connector.



Part No.	Description	Inlet B1 (external thread)	Connection B2 (internal thread)
On request	TD1	On request	On request

Adaptors

Adaptors with optional check valve for type TW53.

Part No.	Description	Thread (internal / external thread)
W5176	Adaptor with integrated check valve (flame barrier)	M16x1.5 / G1/2"
E26-022M-G16	Adaptor without integrated check valve	M16x1.5 / G1/2"

Other products

OTHER PRODUCTS

You will find more products in our current catalogue No. 20



Further information on our homepage
www.weh.com

© All rights reserved, WEH GmbH 2013. Any unauthorized use is strictly forbidden. Subject to alteration. Herewith previous versions are no longer valid.

» Contacting

For queries and further information, please do not hesitate to contact us.

Manufacturer:

WEH GmbH Precision Connectors

Josef-Henle-Str. 1
89257 Illertissen / Germany

Phone: +49 7303 9609-0
Fax: +49 7303 9609-9999

eMail: sales@weh.com
www.weh.com