

# Type **TSF1 CNG**

## Filter

for installation between fuelling nozzle and filling



## General

### DESCRIPTION



#### Features

- For CNG free of impurities
- Prefilter for fuelling nozzles
- For installation between fuelling nozzle and filling hose

Contaminants in the gas flow can enter the vehicle's storage tank during refuelling. These dirt particles in the natural gas fuel may cause damage to the sealing components. WEH, therefore, offers CNG filter for clean natural gas. Solid particles are captured reliably.

The TSF1 CNG filter is used for fuelling stations and dispensers as well as onboard CNG powered vehicles. The filter is mainly installed as prefilter in the media inlet between fuelling nozzle and filling hose.

#### Application

Filter for installation as prefilter between fuelling nozzle and filling hose.

Only use filters with ECE approval for fitment in vehicles!

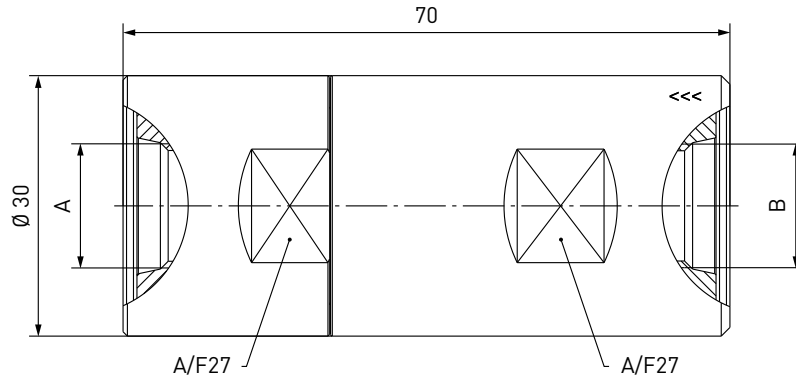
### TECHNICAL DATA

Characteristic	Basic version	Options
Nominal bore DN	8 mm	On request
Pressure range	PN = 200 bar (3,000 psi)   PS = 260 bar   PT = 390 bar (ECE) PN = 250 bar (3,600 psi)   PS = 315 bar   PT = 475 bar (CE)	
Temperature range	-40 °C up to +120 °C (-40 °F up to +248 °F)	On request
Material	Corrosion resistant stainless steel	On request
Sealing material	Natural gas compatible	On request
Filter element	50 resp. 40 micron, depending on design	On request
Registration	E1 110R-000100 (ECE) PED97/23/EC: CE0036 (CE)	

**Ordering**

**ORDERING** | Filter TSF1 CNG (50 micron) with internal thread on both sides

approx. dimensions (mm)



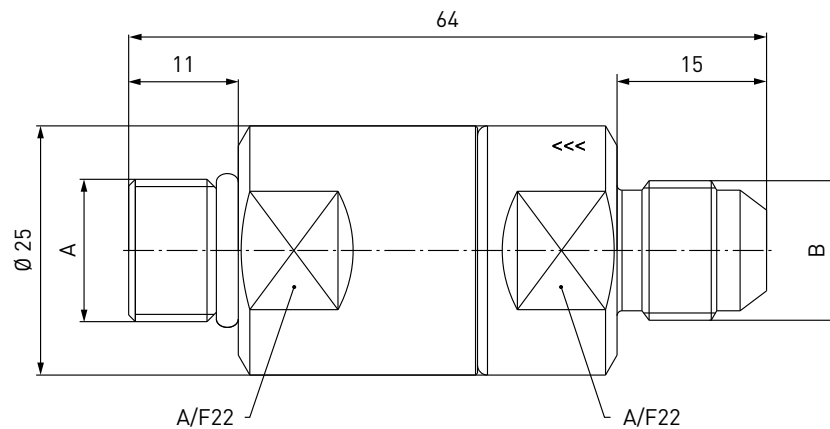
Part No.	Description	DN	Pressure (PN)	Inlet B (internal thread)	Outlet A (internal thread)
<b>C1-66532**</b>	TSF1 CNG (ECE)	8	200 bar / 3,000 psi	UNF 9/16"-18*	UNF 9/16"-18*

\* acc. to SAE J1926

\*\* The filter element can be removed and is re-usable after having been cleaned

**ORDERING** | Filter TSF1 CNG (40 micron) with external thread on both sides

approx. dimensions (mm)



Part No.	Description	DN	Pressure (PN)	Inlet B (external thread)	Outlet A (external thread)
<b>C1-106854</b>	TSF1 CNG (CE)	8	250 bar / 3,600 psi	UNF 9/16"-18*	UNF 9/16"-18**

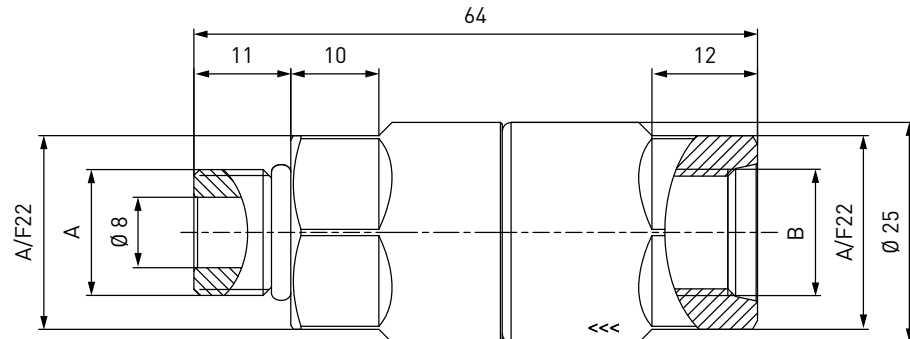
\* acc. to SAE J514, 37°

\*\* acc. to SAE J1926

## Ordering

### ORDERING | Filter TSF1 CNG (40 micron) with internal thread and external thread

approx. dimensions (mm)



Part No.	Description	DN	Pressure (PN)	Inlet B (internal thread)	Outlet A (external thread)
<b>C1-94070</b>	TSF1 CNG (CE)	8	250 bar / 3,600 psi	UNF 9/16"-18*	UNF 9/16"-18*
<b>C1-100700</b>	TSF1 CNG (CE)	8	250 bar / 3,600 psi	UNF 9/16"-18* LH	UNF 9/16"-18* LH

\* acc. to SAE J1926

## SPARE PARTS

Various parts are available as spares for type TSF1 CNG:

Part No.	Description
<b>C1-131848</b>	Maintenance set consisting of o-ring, filter element and back-up ring (for C1-66532)

## Other products

### OTHER PRODUCTS

You will find more products in our current catalogue no. 15



Further information on our homepage  
[www.weh.com](http://www.weh.com)

#### » Contacting

For queries and further information, please do not hesitate to contact us.

*Manufacturer:*

**WEH GmbH Gas Technology**

Josef-Henle-Str. 1  
89257 Illertissen / Germany

Phone: +49 7303 95190-0  
Fax: +49 7303 95190-9999

eMail: [ngvsales@weh.com](mailto:ngvsales@weh.com)  
[www.weh.com](http://www.weh.com)