

Type **TSF2 H₂** WEH[®] Filter

for installation onboard H₂ vehicles and in fuelling stations



General

DESCRIPTION



Features

- For hydrogen free of impurities
- Filter insert can be cleaned
- For installation onboard H₂ vehicles and in fuelling stations
- Also suitable as prefilter for inline breakaways

Contaminants in the gas flow can enter the vehicle's storage tank during refuelling. These dirt particles in the hydrogen fuel may cause damage to the sealing components. WEH, therefore, offers the WEH[®] TSF2 H₂ Filter Series for clean hydrogen. Solid particles are captured reliably.

The filter element can be removed and is re-usable after having been cleaned.

The WEH[®] TSF2 H₂ Filter is mainly used for fuelling stations and dispensers.

In order to meet the different requirements of the dispenser manufacturers, WEH offers a wide variety of connection configurations - tube fitting / internal thread on both ends or internal and external thread.

For use as a prefilter in the WEH[®] TSA2 H₂ Inline Breakaway Coupling, WEH offers a special design with external and internal thread.

Application

Filter for installation onboard H₂ vehicles (e1 approval) and in fuelling stations (CE approval).

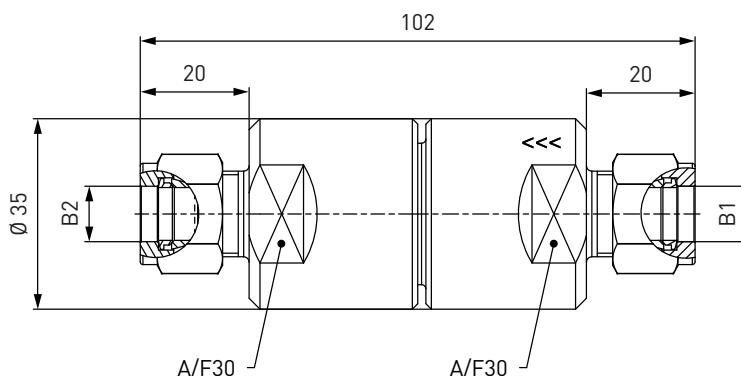
TECHNICAL DATA

Characteristic	Basic version	Options
Nominal bore DN	Max. 8 mm, depending on design	On request
Pressure range	PN = 300 bar (4,350 psi) PS = 400 bar PT = 600 bar PN = 350 bar (5,000 psi) PS = 450 bar PT = 675 bar	
Temperature range	-40 °C up to +85 °C (-40 °F up to +185 °F)	On request
Material	Corrosion resistant stainless steel	On request
Sealing material	Hydrogen compatible	On request
Filter element	40 resp. 20 micron	On request
Design	Incl. fittings (only for filters with tube fitting)	On request
Registration	PED97/23/EC: CE0036	e1 approval on request

Ordering

ORDERING | WEH® TSF2 H₂ Filter with tube fitting on both sides

approx. dimensions (mm)

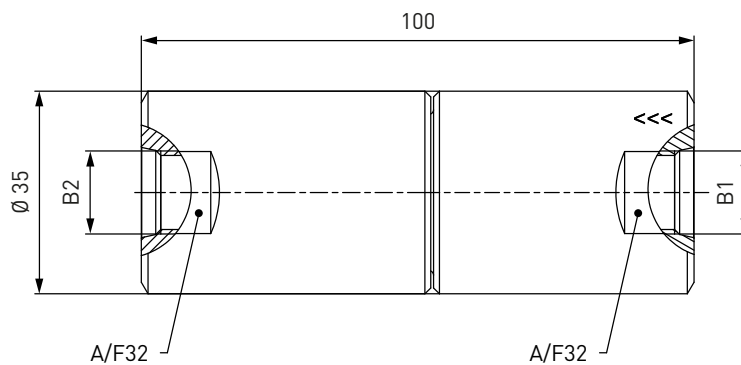


Part No.	Description	Filter (micron)	DN	Pressure (PN)	Inlet B1	Outlet B2
C1-54095	TSF2 H ₂ (CE)	40	4	350 bar / 5,000 psi	Tube Ø 1/4"*	Tube Ø 1/4"*
C1-18487	TSF2 H ₂ (CE)	40	8	350 bar / 5,000 psi	Tube Ø 3/8"*	Tube Ø 3/8"*
C1-36033	TSF2 H ₂ (CE)	40	8	350 bar / 5,000 psi	Tube Ø 10*	Tube Ø 10*

* double ferrule fitting

ORDERING | WEH® TSF2 H₂ Filter with internal thread on both sides

approx. dimensions (mm)



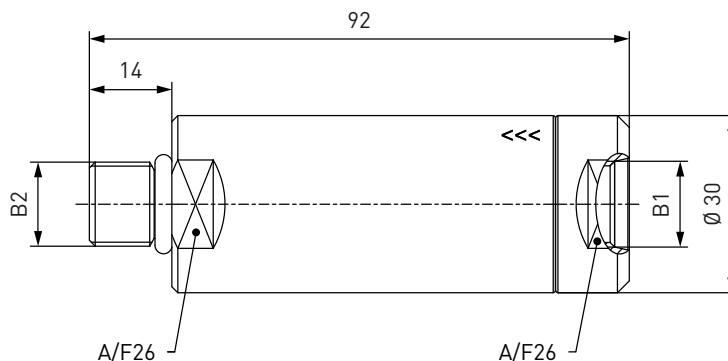
Part No.	Description	Filter (micron)	DN	Pressure (PN)	Inlet B1 (internal thread)	Outlet B2 (internal thread)
C1-34576	TSF2 H ₂ (CE)	40	8	350 bar / 5,000 psi	UNF 9/16"-18*	UNF 9/16"-18*

* acc. to SAE J1926

Ordering / Spare parts

ORDERING | WEH® TSF2 H₂ Filter with internal and external thread

approx. dimensions (mm)

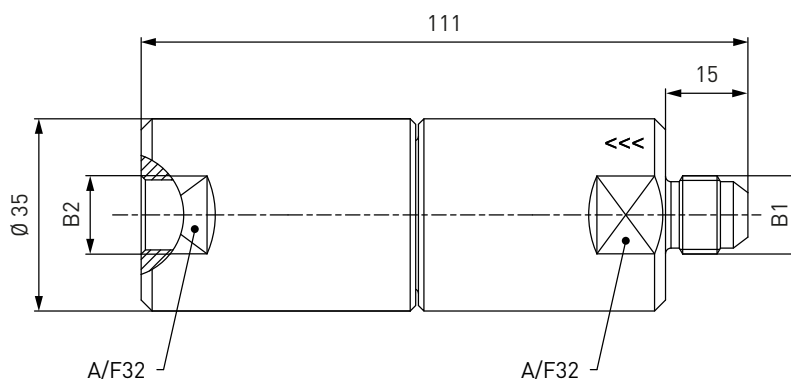


Part No.	Description	Filter (micron)	DN	Pressure (PN)	Inlet B1 (internal thread)	Outlet B2 (external thread)
C1-17011	TSF2 H ₂ (CE)	40	8	300 bar / 4,350 psi	UNF 9/16"-18*	UNF 9/16"-18*

* acc. to SAE J1926

ORDERING | WEH® TSF2 H₂ Filter with external and internal thread (also suitable as prefilter for TSA2 H₂)

approx. dimensions (mm)



Part No.	Description	Filter (micron)	DN	Pressure (PN)	Inlet B1 (external thread)	Outlet B2 (internal thread)
C1-134710	TSF2 H ₂ (CE)	40	8	350 bar / 5,000 psi	UNF 9/16"-18*	UNF 9/16"-18*
C1-134711	TSF2 H ₂ (CE)	20	8	350 bar / 5,000 psi	UNF 9/16"-18*	UNF 9/16"-18*

* acc. to SAE J514, 37°

SPARE PARTS

Various parts are available as spares for the WEH® TSF2 H₂ Filter:

Part No.	Description
E69-9061	Wire filter insert 40 micron (incl. spring and o-ring)
E69-67754	Wire filter insert 20 micron (incl. spring and o-ring)

Other products

OTHER PRODUCTS

You will find more products in our current catalogue no. 50



Further information on our homepage
www.weh.com

» Contacting

For queries and further information, please do not hesitate to contact us.

Manufacturer:

WEH GmbH Gas Technology

Josef-Henle-Str. 1
89257 Illertissen / Germany

Phone: +49 7303 95190-0
Fax: +49 7303 95190-9999

eMail: h2sales@weh.com
www.weh.com