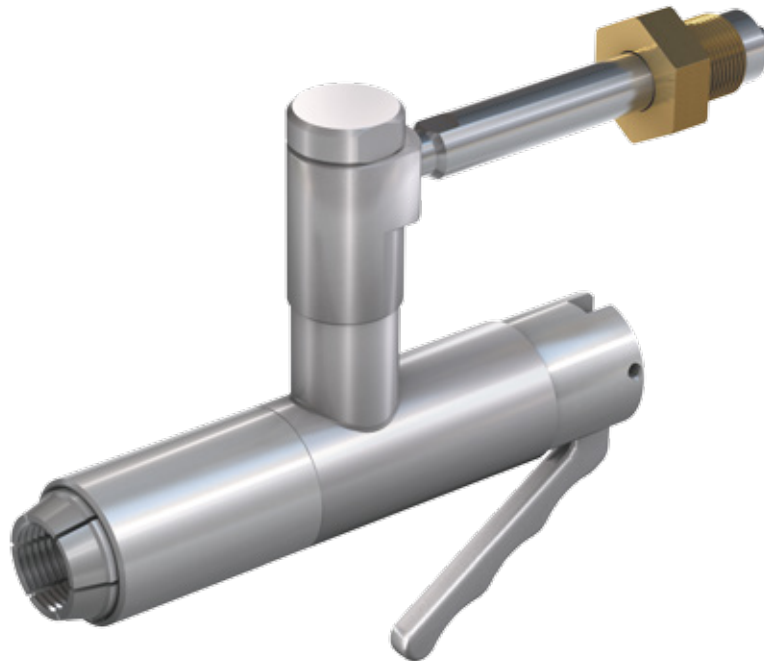


Type **TW156**

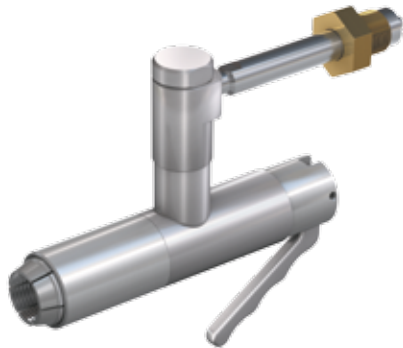
WEH[®] Connector for testing respiratory protective equipment

up to max. 300 bar



General

DESCRIPTION



Features

- Quick connection in seconds without hand tightening
- Robust design
- Easy connection means no straining of muscles, joints, etc.
- Improves operational safety and ergonomics

The type TW156 quick connector can be connected to the manual inlet valve of the respiratory protective device without hand tightening. The clamping jaws grip into the thread and the pressure-tight connection is made within seconds. The quick connector may either be mounted directly to the existing test unit or connected by a hose to the test unit. When used with a hose, the connector must be securely anchored when not in use.

The type TW156 quick connector simplifies testing procedures and shortens test times and is available with manual or pneumatic actuation.

Application

Quick connector for testing respiratory protective equipment up to max. 300 bar.



Connection to SCBAs of fire brigades



Connection to special test unit



Sample of test unit and SCBA

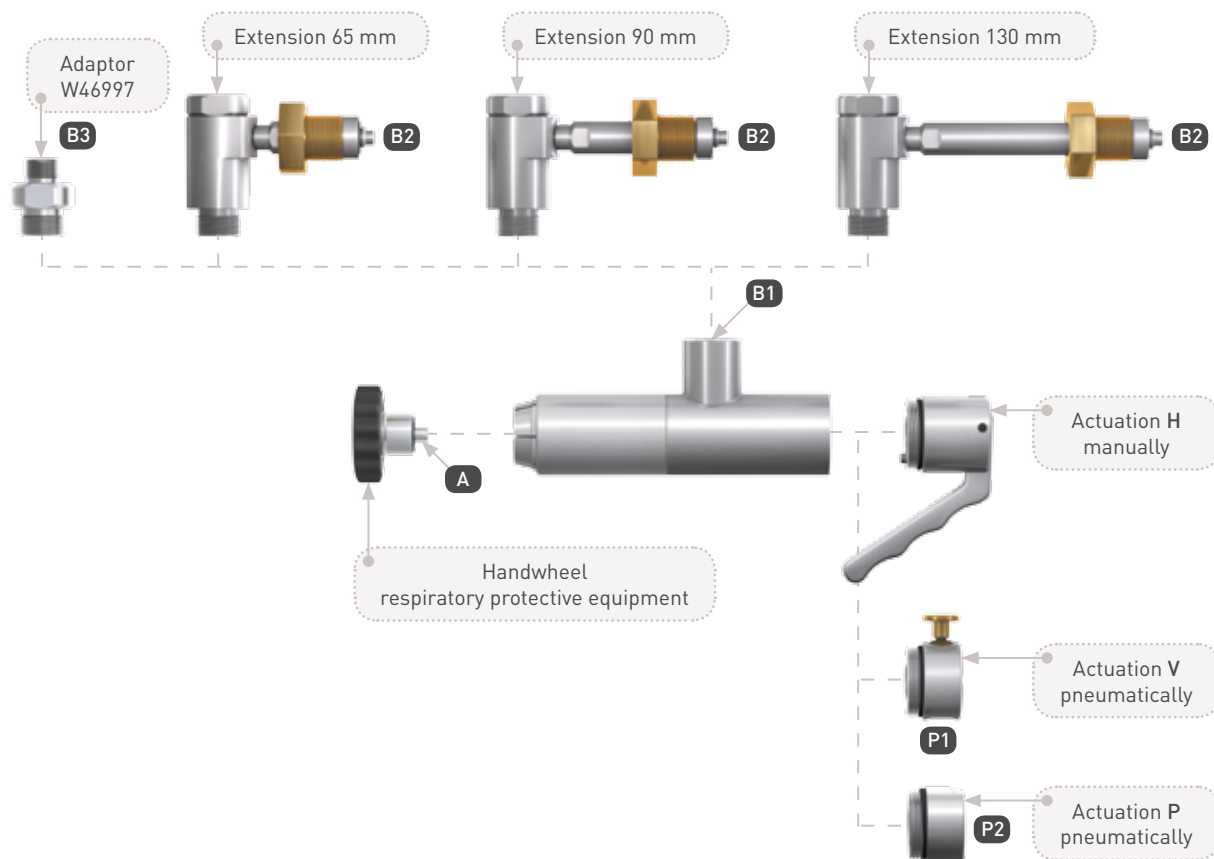
TECHNICAL DATA

Characteristics	Basic version	Options
Pressure range	PN = 300 bar PS = 375 bar PT = 565 bar	PN = 200 bar PS = 250 bar PT = 375 bar
Pilot pressure	6 - 12 bar	On request
Temperature range	+5 °C up to +70 °C	On request
Medium	Air	On request
Connection A (respiratory protective equipment)	G5/8" external thread acc. to DIN 477-5 (300 bar)	G5/8" external thread acc. to DIN 477-1 (200 bar)
Pilot pressure port P1	G1/8" internal thread	On request
Pilot pressure port P2	G1/4" internal thread	On request
Actuation	H = manual actuation of the lever V = actuation via pneumatic / manual finger pressure valve P = pneumatic actuation for automated applications and activations	On request
Material	Corrosion-resistant stainless steel Extensions: chromed / brass	On request
Sealing material	NBR	On request
Registration	PED 2014/68/EU	

System overview

SYSTEM OVERVIEW

For the type TW156 various actuations and extensions are available. The following diagram shows the different versions.



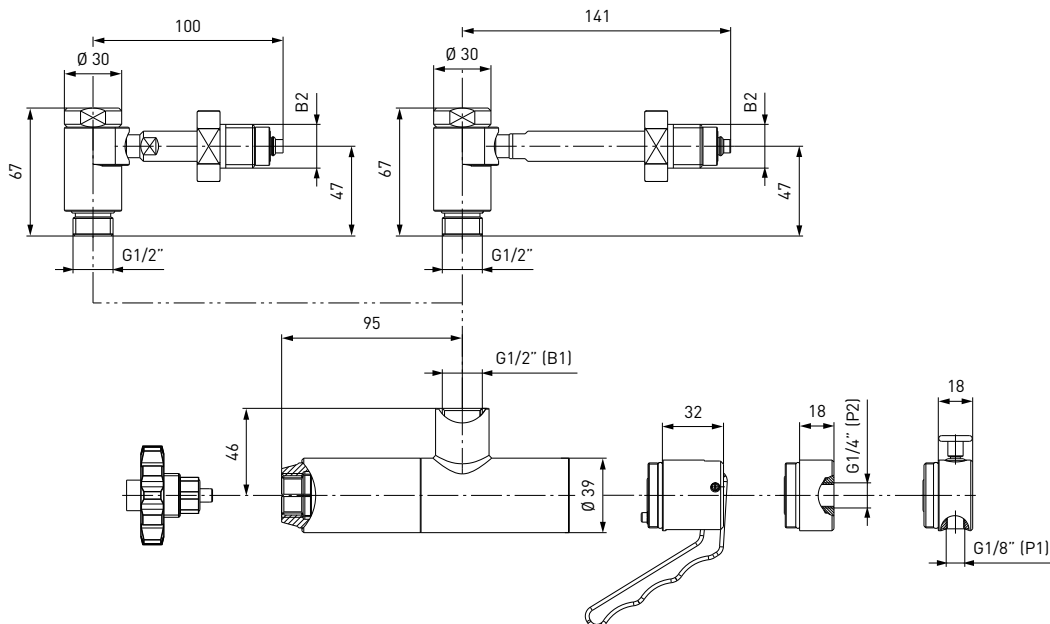
Port definition

- A** Connection respiratory protective equipment
- B1** Media inlet
- B2** Media inlet on versions with extension
- B3** Media inlet on versions with adaptor for filling hose G1/2" - M16x1.5
- P1** Pilot pressure line (actuation V)
- P2** Pilot pressure line (actuation P)

Ordering

ORDERING | Quick connector TW156 with extension 90 / 130 mm for SCBA with carrying system

approx. dimensions (mm)



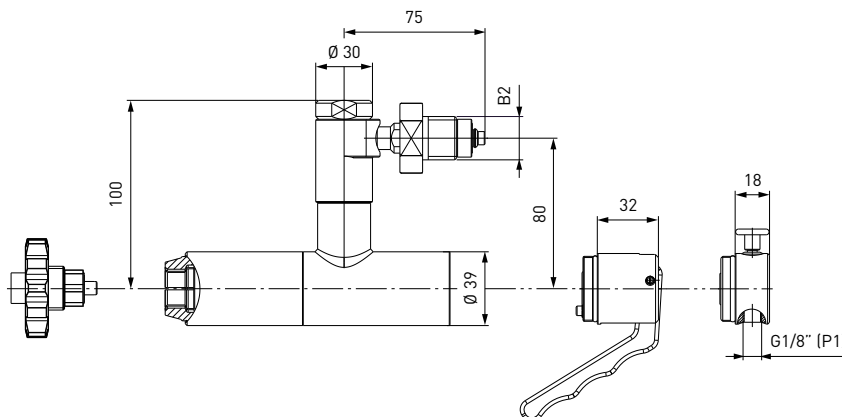
MSA Multicheck / Proficheck



Part No.	Description	Pressure (PN)	Actuation	Inlet B2 (external thread)
C1-33718	Elbow extension 130 mm	300 bar	Manually H	G5/8"
C1-55849	Elbow extension 130 mm	300 bar	Pneumatically P	G5/8"
C1-75998	Elbow extension 130 mm	300 bar	Pneumatically V	G5/8"
C1-55640	Elbow extension 90 mm	300 bar	Manually H	G5/8"
C1-88567	Elbow extension 90 mm	300 bar	Pneumatically P	G5/8"
C1-94723	Elbow extension 90 mm	300 bar	Pneumatically V	G5/8"

ORDERING | Quick connector TW156 with extension 65 mm for SCBA with carrying system

approx. dimensions (mm)



Dräger Quaestor III / Quaestor automatic

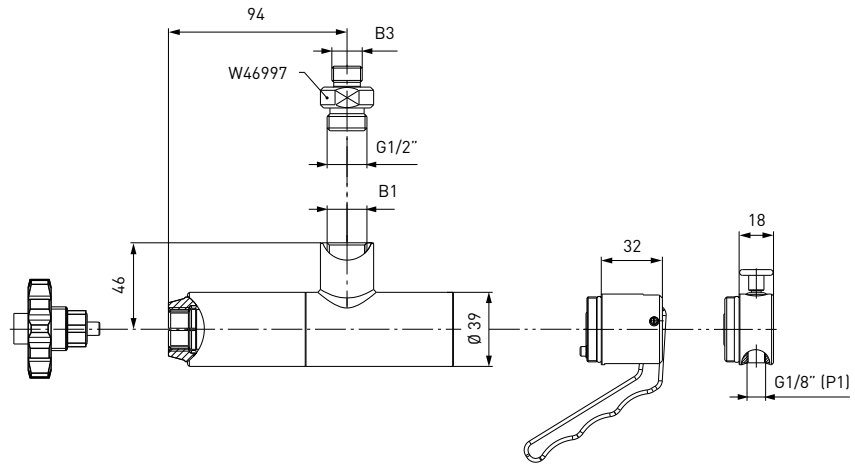


Part No.	Description	Pressure (PN)	Actuation	Inlet B2 (external thread)
C1-35615	Elbow extension 65 mm	300 bar	Manually H	G5/8"
C1-67670	Elbow extension 65 mm	300 bar	Pneumatically V	G5/8"

Ordering

ORDERING | Quick connector TW156 for SCBA

approx. dimensions (mm)



Part No.	Description*	Pressure (PN)	Actuation	Inlet B1 / B3
C1-18581	Without elbow extension (Labtec 100)	300 bar	Pneumatically V	G1/2" internal thread
C1-33939	Without elbow extension	300 bar	Manually H	G1/2" internal thread
C1-47019	Incl. adaptor W46997; without elbow extension	300 bar	Manually H	G1/2" internal thread / M16x1.5 external thread

* hoses not included

Other products

OTHER PRODUCTS

Please see our current catalogue no. 60 for further products.



Further information on our homepage
www.weh.com

» Contacting

For queries and further information, please do not hesitate to contact us.

Manufacturer:

WEH GmbH Precision Connectors

Josef-Henle-Straße 1
89257 Illertissen / Germany

Phone: +49 7303 9609-0
Fax: +49 7303 9609-9999

Email: sales@weh.com
www.weh.com