

# Type **TK17 H<sub>2</sub> 70 MPa**

**WEH<sup>®</sup> H<sub>2</sub> Fuelling Nozzle with Data Interface**

for cars at self-service fuelling stations



**General**

**DESCRIPTION**



**Features**

- Left or right single-handed operation
- Compatible with WEH® TN1 H<sub>2</sub> 70 MPa receptacle profile
- Integrated data interface acc. to SAE J2601
- WEH® EASY-TURN 250° swivel joint
- Easy operation
- Extremely high flow rate → short filling times
- Plastic thermal protection
- Hand grip with magnet
- WEH® Jaw locking mechanism
- High-grade materials
- Coding for pressure range / gas type

The WEH® TK17 H<sub>2</sub> 70 MPa with data interface was developed for refuelling cars with compressed hydrogen (CGH<sub>2</sub>). The fuelling nozzle with single-handed operation is just as quick and easy to use as the common petrol nozzle and has a similar look and feel.

Simply lift the nozzle from the dispenser mounting and place it onto the vehicle's receptacle. 250° rotation makes for easy engagement with the vehicle's fuel receptacle. Compress the actuation lever until locking lever engages and the fuelling procedure begins. The gaseous hydrogen can only flow through the line if there is a safe connection. After refuelling disengage the nozzle's locking lever and disconnect. Please note that refuelling may be stopped or paused at any time. The hand grip has a magnet for actuation of the magnet switch for activation of the dispenser.

The WEH® TK17 H<sub>2</sub> 70 MPa has an interface (IR) for data transfer between vehicle and fuelling station.

Furthermore the fuelling nozzle has a coding specifically for pressure range and gas type and thus the coding will not allow connection to natural gas vehicles or other pressure ranges.

**Safety**

WEH® TK17 H<sub>2</sub> 70 MPa with data interface offers optimum safety to the operator. The fuelling nozzle remains connected to the receptacle until the system is depressurized.

**Application**

Fuelling nozzle for H<sub>2</sub> fast filling of cars at self-service fuelling stations.

		NOZZLE - pressure range/coding			
		250 bar	350 bar	350 bar HF*	700 bar
RECEPTACLE - pressure range/coding	250 bar	✓			
	350 bar	✓	✓		
	350 bar HF*	✓	✓	✓	
	700 bar	✓	✓		✓

\* HF = High-Flow

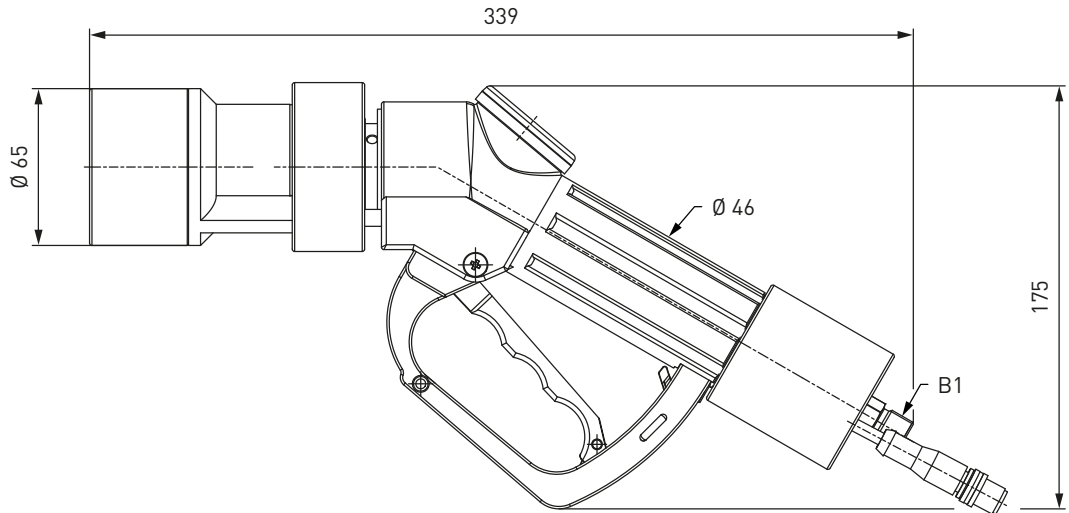
**TECHNICAL DATA**

Characteristic	Basic version	Options
Nominal bore DN	4 mm	On request
Pressure range	PN = 700 bar (10,000 psi)   PS = 875 bar   PT = 1255 bar	
Temperature range	-40 °C up to +85 °C (-40 °F up to +185 °F)	On request
Material	Corrosion resistant	On request
Sealing material	Hydrogen compatible	On request
Design	With plastic thermal protection, hand grip with magnet and data interface. Without gas recirculation	On request
Weight	Approx. 2.3 kg (5.07 lbs.)	
Registration	PED97/23/EC: CE0036 SAE J2600:2002 / SAE TIR J2799 Data interface: SAE J2601 / ATEX	Approval acc. to KHKS 0220 Data interface: SAE J2601 / NEC Class 1 Zone 1

**Ordering / Accessories**

**ORDERING** | WEH® TK17 H<sub>2</sub> 70 MPa Fuelling Nozzle with Data Interface

approx. dimensions (mm)



Part No.	Description	Pressure (PN)	Inlet B1 (external thread)
<b>C1-97270</b>	TK17 H <sub>2</sub> 70 MPa	700 bar / 10,000 psi	UNF 9/16"-18*

\* 60° inner cone

On request the TK17 H<sub>2</sub> 70 MPa fuelling nozzle with data interface is also available with registration acc. to NEC Class 1 Zone 1 (acc. to SAE J2601).

Complete nozzle-hose-assemblies consisting of fuelling nozzle, hose set and breakaway coupling are available on request.

**ACCESSORIES**

The following accessories are available for the WEH® TK17 H<sub>2</sub> 70 MPa Fuelling Nozzle with Data Interface:

**High pressure filling hoses**

High pressure filling hose for connecting fuelling nozzle and TSA1 H<sub>2</sub> 70 MPa breakaway coupling, complete with hose fittings, plastic spiral hose and cable for data interface.

Design: max. operating pressure PS: 875 bar (12,690 psi) / nominal bore DN: 6.3 mm



Part No.	Filling hose B1/B2 (internal thread)	Hose length
<b>E68-108615</b>	UNF 9/16"-18*	3 m
<b>E68-108614</b>	UNF 9/16"-18*	4 m
<b>E68-108613</b>	UNF 9/16"-18*	5 m

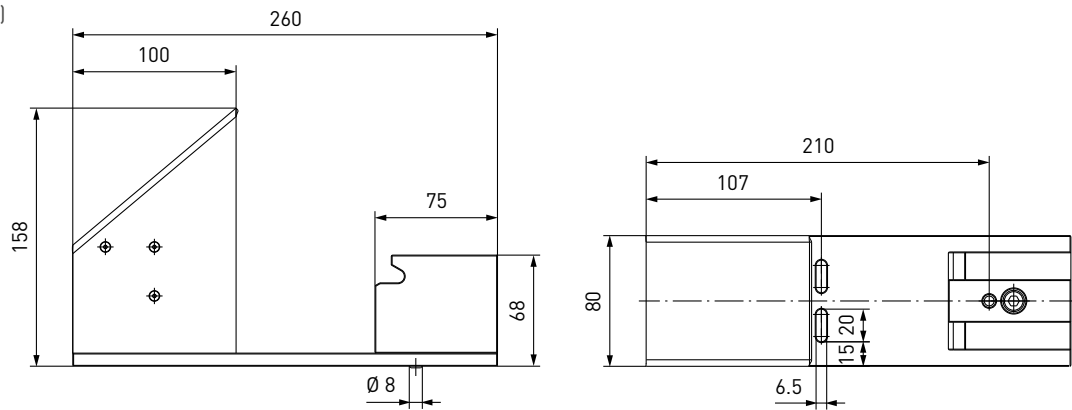
\* DKJ 58°

## Accessories

### Dispenser mounting

Mounting for safe attachment of the fuelling nozzle to the dispenser. Design: Aluminium, stainless steel

approx. dimensions (mm)



Part No.	Description
<b>C1-91281</b>	Mounting (switch actuated) with weather protection

## Accessories

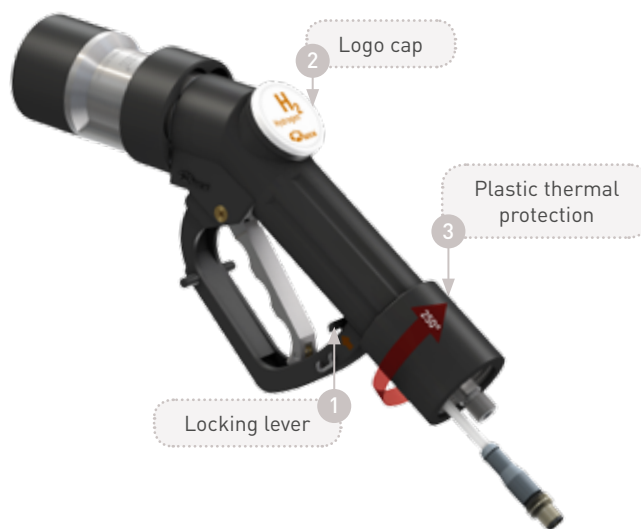
### Data cable

Data cable for connecting controller and dispenser.

Part No.	Description
<b>E68-96193</b>	Data cable 3.45 m

### Spare parts

Various parts are available as spares for the TK17 H<sub>2</sub> 70 MPa fuelling nozzle with data interface.



Part No.	Description
<b>E80-84030</b>	1 Locking lever
<b>E69-67826</b>	2 Logo cap
<b>E80-101120</b>	3 Plastic thermal protection
<b>E99-44923</b>	Maintenance spray

When ordering please quote the part no. imprinted on the fuelling nozzle.

## Other products

### OTHER PRODUCTS

You will find more products in our current catalogue no. 50



Further information on our homepage  
[www.weh.com](http://www.weh.com)

### » Contacting

For queries and further information, please do not hesitate to contact us.

*Manufacturer:*

**WEH GmbH Gas Technology**

Josef-Henle-Str. 1  
89257 Illertissen / Germany

Phone: +49 7303 95190-0

Fax: +49 7303 95190-9999

eMail: [h2sales@weh.com](mailto:h2sales@weh.com)

[www.weh.com](http://www.weh.com)