

Type **TK17 H₂ 70 MPa**

WEH[®] H₂ Fuelling Nozzle

for cars at self-service fuelling stations



General

DESCRIPTION



Features

- Left or right single-handed operation
- Compatible with WEH® TN1 H₂ 70 MPa receptacle profile
- WEH® EASY-TURN 250° swivel joint
- Easy operation
- Extremely high flow rate → short filling times
- Plastic thermal protection
- Hand grip with magnet
- WEH® Jaw locking mechanism
- High-grade materials
- Coding for pressure range / gas type

The WEH® TK17 H₂ 70 MPa was developed for refuelling cars with compressed hydrogen (CGH₂). The fuelling nozzle with single-handed operation is just as quick and easy to use as the common petrol nozzle and has a similar look and feel. Simply lift the nozzle from the dispenser mounting and place it onto the vehicle's receptacle. 250° rotation makes for easy engagement with the vehicle's fuel receptacle. Compress the actuation lever until locking lever engages and the fuelling procedure begins. The gaseous hydrogen can only flow through the line if there is a safe connection. After refuelling disengage the nozzle's locking lever and disconnect. Please note that refuelling may be stopped or paused at any time. The hand grip has a magnet for actuation of the magnet switch for activation of the dispenser. The WEH® TK17 H₂ 70 MPa has a coding specifically for pressure range and gas type and thus the coding will not allow connection to natural gas vehicles or other pressure ranges.

Safety

WEH® TK17 H₂ 70 MPa offers optimum safety to the operator. The fuelling nozzle remains connected to the receptacle until the system is depressurized.

Application

Fuelling nozzle for H₂ fast filling of cars at self-service fuelling stations.

NOZZLE - pressure range/coding				
	250 bar	350 bar	350 bar HF*	700 bar
250 bar	✓			
350 bar	✓	✓		
350 bar HF*	✓	✓	✓	
700 bar	✓	✓		✓

* HF = High-Flow

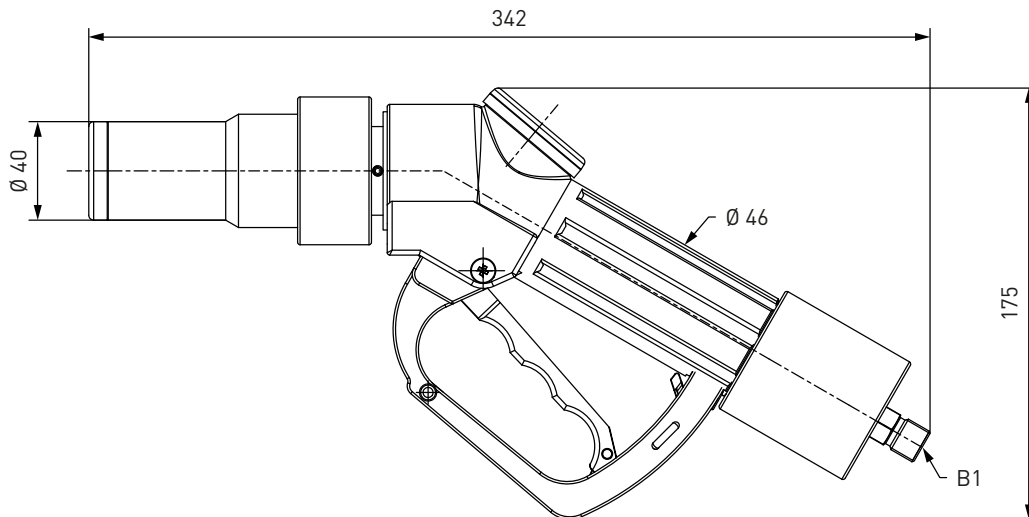
TECHNICAL DATA

Characteristic	Basic version	Options
Nominal bore DN	4 mm	On request
Pressure range	PN = 700 bar (10,000 psi) PS = 875 bar PT = 1255 bar	
Temperature range	-40 °C up to +85 °C (-40 °F up to +185 °F)	On request
Material	Corrosion resistant	On request
Sealing material	Hydrogen compatible	On request
Design	With plastic thermal protection and hand grip with magnet. Without gas recirculation	On request
Weight	Approx. 1.75 kg (3.86 lbs.)	
Registration	PED97/23/EC: CE0036 SAE J2600:2002 SAE TIR J2799	

Ordering / Accessories

ORDERING | WEH® TK17 H₂ 70 MPa Fuelling Nozzle

approx. dimensions (mm)



Part No.	Description	Pressure (PN)	Inlet B1 (external thread)
C1-94441	TK17 H ₂ 70 MPa	700 bar / 10,000 psi	UNF 9/16"-18*

* 60° inner cone

Complete nozzle-hose-assemblies consisting of fuelling nozzle, hose set and breakaway coupling are available on request.

ACCESSORIES

The following accessories are available for the WEH® TK17 H₂ 70 MPa Fuelling Nozzle:

High pressure filling hoses

High pressure filling hose for connecting fuelling nozzle and TSA1 H₂ 70 MPa breakaway coupling.
Design: max. operating pressure PS: 875 bar (12,690 psi) / nominal bore DN: 6.3 mm



Part No.	Filling hose B1/B2 (internal thread)	Hose length
E68-108609	UNF 9/16"-18*	3 m
E68-108610	UNF 9/16"-18*	4 m
E68-108611	UNF 9/16"-18*	5 m

* DKJ 58°

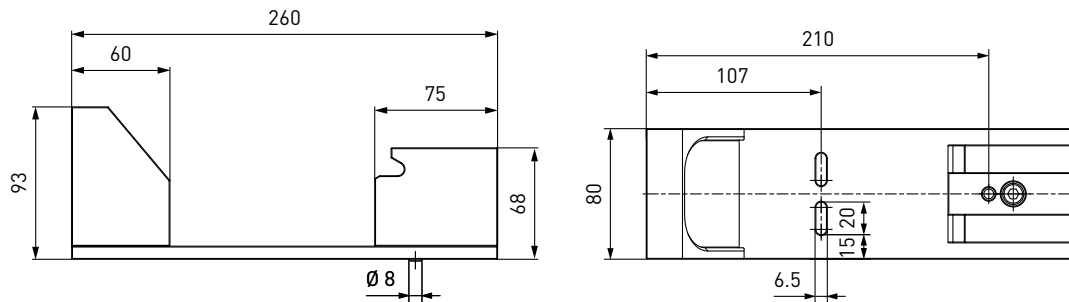
Accessories

Dispenser mounting

Mounting for safe attachment of the fuelling nozzle to the dispenser. Design: Aluminium, stainless steel

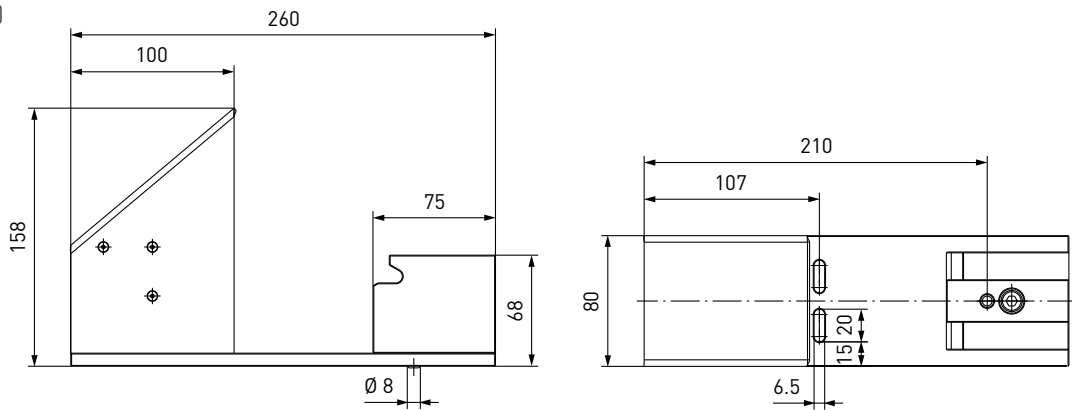
Switch actuated mounting

approx. dimensions (mm)



Switch actuated mounting with weather protection

approx. dimensions (mm)

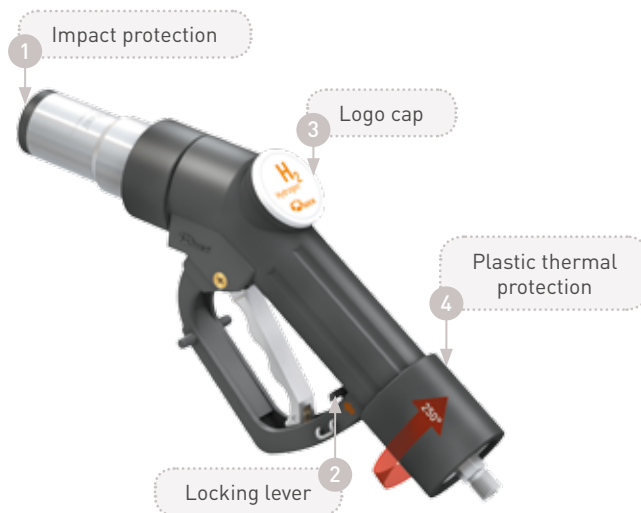


Part No.	Description
C1-79830	Mounting (switch actuated)
C1-91281	Mounting (switch actuated) with weather protection

Accessories

Spare parts

Various parts are available as spares for the TK17 H₂ 70 MPa fuelling nozzle.



Part No.	Description
E80-80187	1 Impact protection
E80-84030	2 Locking lever
E69-67826	3 Logo cap
E80-101120	4 Plastic thermal protection
E99-44923	Maintenance spray

When ordering please quote the part no. imprinted on the fuelling nozzle.

Other products

OTHER PRODUCTS

You will find more products in our current catalogue no. 50



Further information on our homepage
www.weh.com

» Contacting

For queries and further information, please do not hesitate to contact us.

Manufacturer:

WEH GmbH Gas Technology

Josef-Henle-Str. 1
89257 Illertissen / Germany

Phone: +49 7303 95190-0

Fax: +49 7303 95190-9999

eMail: h2sales@weh.com

www.weh.com