

Type **TK4i CNG**

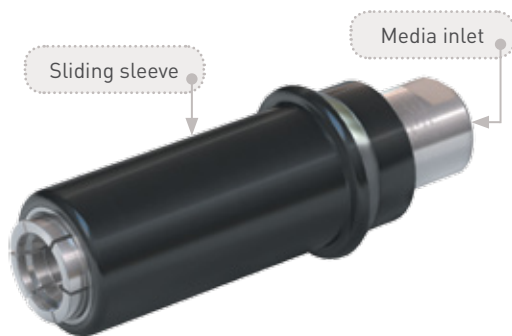
CNG Fuelling Nozzle

for cars with Italian receptacle profile



General

DESCRIPTION



Features

- Compatible with the Italian receptacle profile
- Push-Pull actuation
- Integrated shut-off valve
- Plastic thermal protection
- WEH® Jaw locking mechanism
- High-grade materials
- Compact design

The type TK4i CNG fuelling nozzle has been designed especially for the Italian NGV market enabling connection to Italian receptacles with a push-pull nozzle.

The TK4i CNG is now even easier to operate. The clamping jaws are opened when the nozzle is disconnected and the sliding sleeve need not be pulled back to connect the nozzle. Just push the nozzle straight onto the receptacle and the jaws clamp tightly. Once the fuelling nozzle is connected, the shut-off valve in the nozzle opens and the pressure-tight connection is established.

The jaws of the TK4i CNG are constructed to avoid compression marks on the receptacle that result from connectors using the ball valve locking principle.

The extended construction of the fuelling nozzle allows easy refuelling of difficult-to-access receptacles.

WEH also offers an adaptor nozzle with the new Italian standard for Italian vehicles needing to refuel in Germany (see page 128, catalogue no. 15).

Application

Fuelling nozzle for CNG fast filling of cars to be used with WEH® TN1 CNG receptacles acc. to Italian receptacle profile. Operation only by specially trained service personnel. Not for self-service operation!

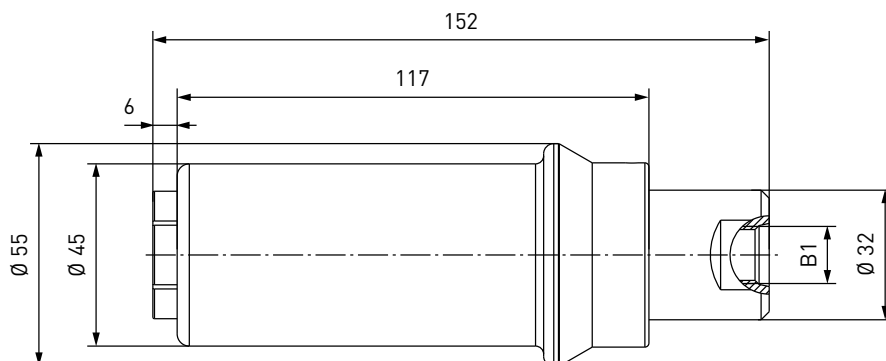
TECHNICAL DATA

| Characteristic | Basic version | Options |
|-------------------|---|------------|
| Nominal bore DN | Depending on design | On request |
| Pressure range | B200 acc. to ISO 14469-1 (P30 acc. to ANSI NGV1) PN = 200 bar (3,000 psi) PS = 300 bar PT = 450 bar (black) B250 acc. to ISO 14469-3 (P36 acc. to ANSI NGV1) PN = 250 bar (3,600 psi) PS = 350 bar PT = 525 bar (yellow) | |
| Temperature range | -40 °C up to +85 °C (-40 °F up to +185 °F) | On request |
| Material | Corrosion resistant | On request |
| Sealing material | Natural gas compatible | On request |
| Design | With plastic thermal protection | On request |
| Weight | Approx. 0.7 kg (1.54 lbs.) | |
| Registration | PED97/23/EC: CE0036 The products comply with ANSI NGV1. | |

Ordering / Accessories

ORDERING | Fuelling nozzle TK4i CNG

approx. dimensions (mm)



| Part No. | Description | DN | Pressure (PN) | Inlet B1 (internal thread) |
|-----------------|---|----|-----------------------------|----------------------------|
| C1-17901 | TK4i CNG for vehicles with Italian receptacle profile | 5 | 200 bar / 3,000 psi (black) | UNF 9/16"-18* |

* acc. to SAE J1926

On request inlet port 'B1' is also available with other thread sizes.

ACCESSORIES

The following accessories are available for type TK4i CNG:

Filter TSF1 CNG (40 micron)

We recommend the installation of a type TSF1 CNG filter (see page 90, catalogue no. 15) between the nozzle and the filling hose. The filter protects your system from damage due to dirt ingress.



| Part No. | Description | DN | Pressure (PN) | Inlet B1 | Outlet B2 |
|------------------|---------------|----|---------------------|--------------------------------|-------------------------------|
| C1-94070 | TSF1 CNG (CE) | 8 | 250 bar / 3,600 psi | UNF 9/16"-18* internal thread | UNF 9/16"-18* external thread |
| C1-106854 | TSF1 CNG (CE) | 8 | 250 bar / 3,600 psi | UNF 9/16"-18** external thread | UNF 9/16"-18* external thread |

* acc. to SAE J1926

** acc. to SAE J514, 37°

Accessories

Filling hoses

Filling hoses for connecting fuelling nozzle and dispenser, complete with fittings and press-fittings supported by coil spring stubs.



| Part No. | Filling hose B1/B2 (internal thread) | Hose length |
|----------------------|--------------------------------------|-------------|
| E68-1031-3000 | UNF 9/16"-18* | 3 m |
| E68-1031-4000 | UNF 9/16"-18* | 4 m |
| E68-1031-5000 | UNF 9/16"-18* | 5 m |

* acc. to SAE J514, 37°

Fittings

Stainless steel fittings for connecting the media inlet 'B1' to the filling hose.

| Part No. | Description | Connection fuelling nozzle | Connection filling hose |
|-----------------|-------------|--------------------------------|-------------------------------|
| W6702 | Fitting | UNF 9/16"-18** external thread | UNF 9/16"-18* external thread |
| W6705 | Fitting | UNF 9/16"-18** external thread | UNF 7/16"-20* external thread |
| W6927 | Fitting | UNF 9/16"-18** external thread | UNF 7/8"-14* external thread |
| E80-561P | Fitting | UNF 9/16"-18** external thread | NPT 1/4" external thread |

* acc. to SAE J514, 37°

** acc. to SAE J1926

Please see page 126 in catalogue no. 15 onwards for a detailed overview on all available fittings.

Spare parts

Various parts are available as spares for type TK4i CNG:



| Part No. | Description |
|------------------|---|
| C1-128103 | ① Spare parts set (sliding sleeve incl. metal sleeve and circlip) |
| E99-44923 | Maintenance spray |

Other products

OTHER PRODUCTS

You will find more products in our current catalogue no. 15



Further information on our homepage
www.weh.com

» Contacting

For queries and further information, please do not hesitate to contact us.

Manufacturer:

WEH GmbH Gas Technology

Josef-Henle-Str. 1
89257 Illertissen / Germany

Phone: +49 7303 95190-0
Fax: +49 7303 95190-9999

Email: ngvsales@weh.com
www.weh.com