

Type **TK16 H₂ High-Flow**

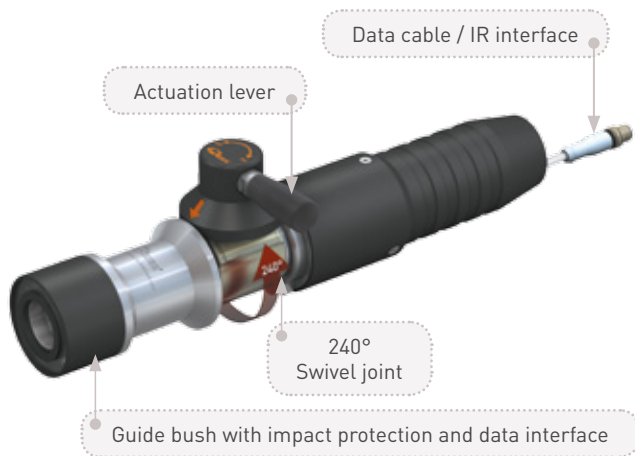
WEH[®] H₂ Fuelling Nozzle with Data Interface

for buses and trucks at self-service fuelling stations



General

DESCRIPTION



Features

- Compatible with WEH® TN1 H₂ High-Flow receptacle profile
- Integrated data interface acc. to SAE J2601
- WEH EASY-TURN® 240° swivel joint for actuation lever
- Easy operation
- Higher flow rate → shorter filling times
- Filling rate approx. 100 - 120 g/sec.
- Recirculation of the vented gas
- Plastic thermal protection
- WEH® Jaw locking mechanism
- High-grade materials
- Coding for pressure range / gas type

The WEH® TK16 H₂ High-Flow Fuelling Nozzle with Data Interface provides a faster hydrogen refuelling solution for buses and trucks. An increased flow rate achieves even faster filling times.

The actuation lever is located on the integrated swivel joint making it easy to rotate into the optimal actuating position. The actuation lever needs less effort to actuate the nozzle.

Internal coding for pressure range and gas type ensures that the TK16 H₂ High-Flow with data interface only fits the WEH® TN1 H₂ High-Flow Receptacle.

Furthermore the fuelling nozzle has an interface (IR) for data transfer between vehicle and fuelling station.

Safety

WEH® TK16 H₂ High-Flow with data interface offers optimum safety to the operator.

The fuelling nozzle remains connected to the receptacle until the gas between inlet valve and receptacle is depressurized.

Application

Fuelling nozzle for H₂ fast filling of buses and trucks at self-service fuelling stations.

		NOZZLE - pressure range/coding			
		250 bar	350 bar	350 bar HF*	700 bar
RECEPTACLE - pressure range/coding	250 bar	✓			
	350 bar	✓	✓		
	350 bar HF*	✓	✓	✓	
	700 bar	✓	✓		✓

* HF = High-Flow

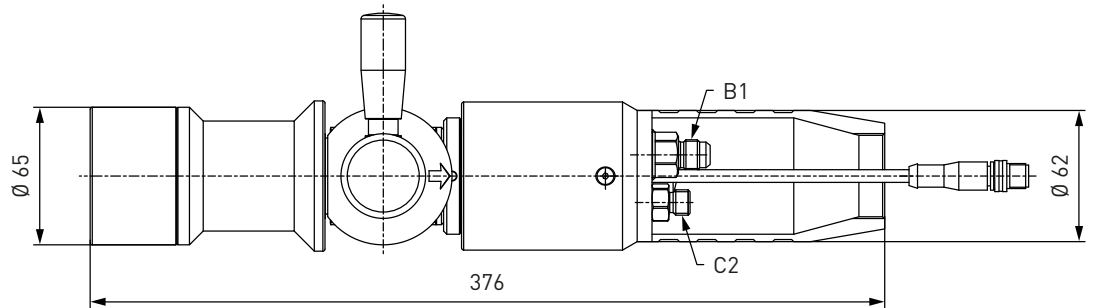
TECHNICAL DATA

Characteristic	Basic version	Options
Nominal bore DN	8 mm	On request
Pressure range	PN = 350 bar (5,000 psi) PS = 450 bar PT = 675 bar	
Temperature range	-40 °C up to +85 °C (-40 °F up to +185 °F)	On request
Material	Corrosion resistant	On request
Sealing material	Hydrogen compatible	On request
Design	With plastic thermal protection, gas recirculation and data interface	On request
Weight	Approx. 2.4 kg (5.29 lbs.)	
Registration	PED97/23EC: CE0036 SAE J2600:2002 Data interface: SAE J2601 / ATEX	Data interface: SAE J2601 / NEC Class 1 Zone 1

Ordering / Accessories

ORDERING | WEH® TK16 H₂ High-Flow Fuelling Nozzle with Data Interface

approx. dimensions (mm)



Part No.	Description	Pressure (PN)	Inlet B1 (external thread)	Gas recirculation C2 (external thread)
C1-94315	TK16 H ₂ High-Flow	350 bar / 5,000 psi	UNF 9/16"-18*	M12x1.5

* acc. to SAE J514, 37°

On request the TK16 H₂ High-Flow fuelling nozzle with data interface is also available with registration acc. to NEC Class 1 Zone 1 (acc. to SAE J2601).

Complete nozzle-hose-assemblies consisting of fuelling nozzle, hose set and breakaway coupling are available on request.

ACCESSORIES

The following accessories are available for the WEH® TK16 H₂ High-Flow Fuelling Nozzle with Data Interface:

Filling and venting hoses

Filling and venting hose for connecting fuelling nozzle and TSA1 H₂ breakaway coupling, complete with hose fittings, plastic spiral hose and cable for data interface.

Design: max. operating pressure PS: 450 bar (6,530 psi) / nominal bore DN: 6.35 mm (filling hose) resp. 2 mm (venting hose)



Part No.	Filling hose B1/B2 (internal thread)	Venting hose C1/C2 (internal thread)	Hose length
C1-90698	UNF 9/16"-18*	M12x1.5	3 m
C1-94428	UNF 9/16"-18*	M12x1.5	4 m
C1-94429	UNF 9/16"-18*	M12x1.5	5 m

* acc. to SAE JIC, 37°

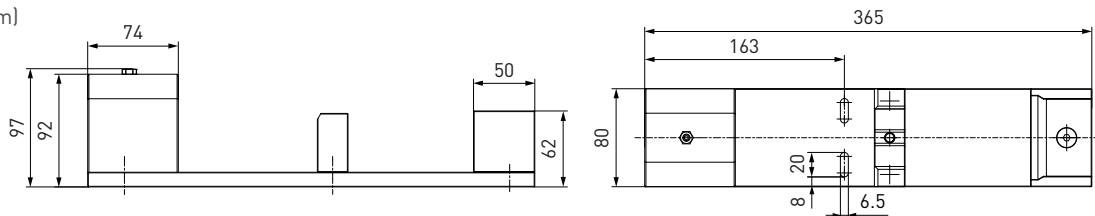
Accessories

Dispenser mounting

Mounting for safe attachment of the fuelling nozzle to the dispenser. Design: Aluminium, stainless steel

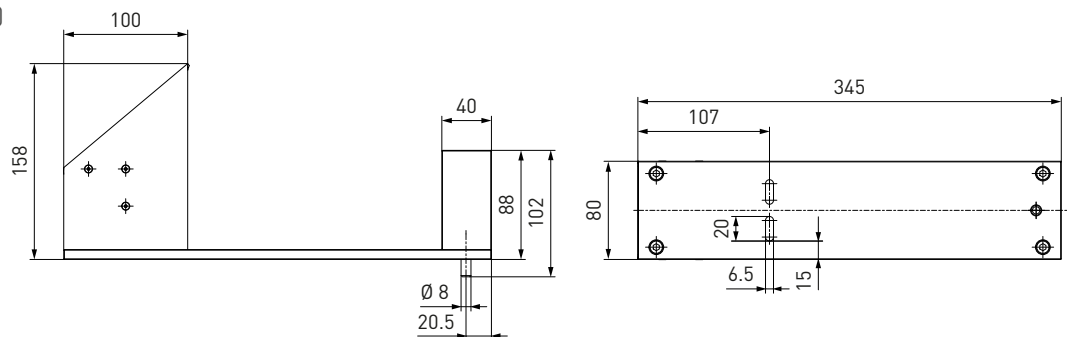
Not switch actuated mounting with protection of front sleeve

approx. dimensions (mm)



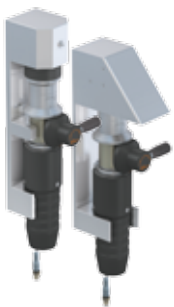
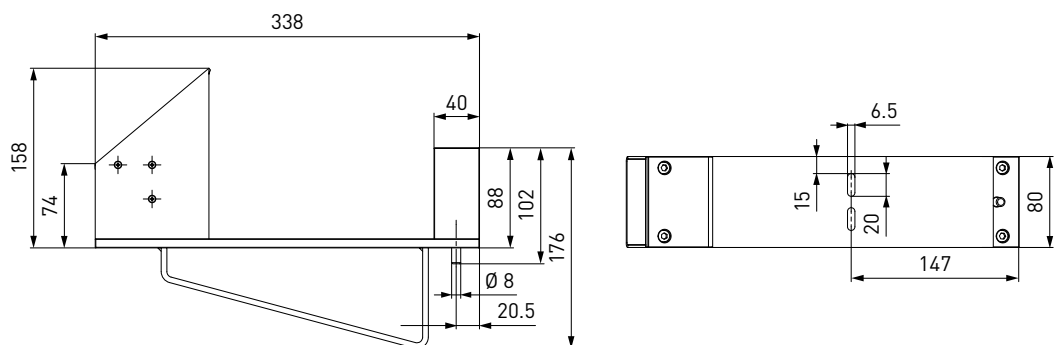
Switch actuated mounting with weather protection

approx. dimensions (mm)



Switch actuated mounting with weather protection and angle plate 15°

approx. dimensions (mm)



Part No.	Description
C1-94671	Mounting (not switch actuated) with protection of front sleeve
C1-90675	Mounting (switch actuated) with weather protection
C1-114632	Mounting (switch actuated) with weather protection and angle plate 15°

Accessories

Fittings

Stainless steel fittings for connecting port 'B1' to the filling hose resp. the port 'C2' to the venting hose are available on request.

Data cable

Data cable for connecting controller and dispenser.

Part No.	Description
E68-96193	Data cable 3.45 m

Spare parts

Various parts are available as spares for the TK16 H₂ High-Flow fuelling nozzle with data interface.



Part No.	Description
W72504	1 Actuation lever
E99-44923	Maintenance spray

Other products

OTHER PRODUCTS

You will find more products in our current catalogue no. 50



Further information on our homepage
www.weh.com

» Contacting

For queries and further information, please do not hesitate to contact us.

Manufacturer:

WEH GmbH Gas Technology

Josef-Henle-Str. 1
89257 Illertissen / Germany

Phone: +49 7303 95190-0

Fax: +49 7303 95190-9999

eMail: h2sales@weh.com

www.weh.com