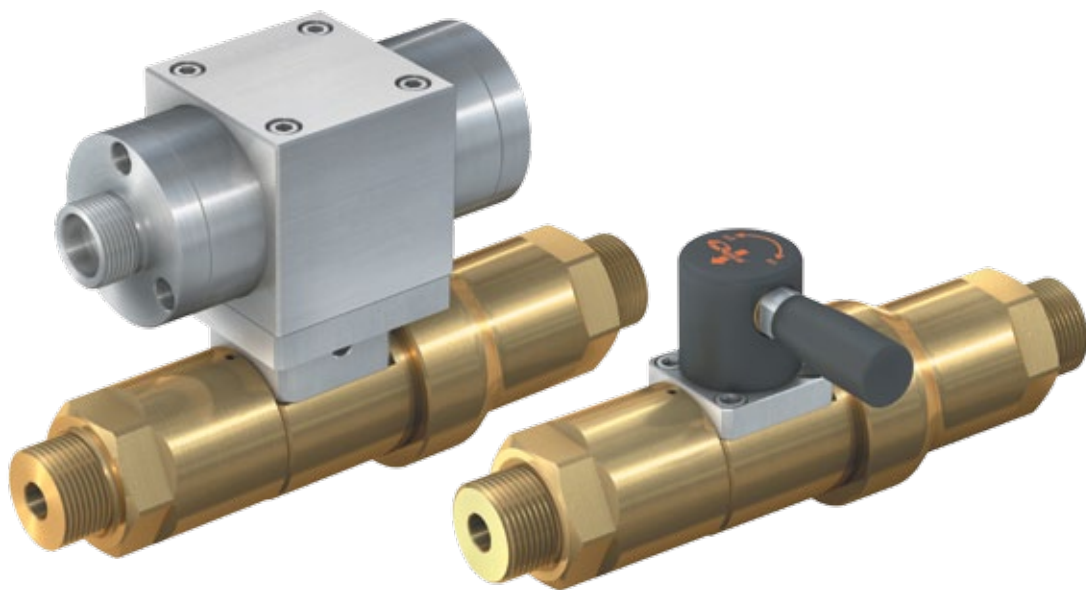


Type **TV17G0**

High pressure valve

for inert gases up to 420 bar



General

DESCRIPTION



TV17GO with pneumatic actuation



TV17GO with manual actuation

The high pressure valve type TV17GO is designed as a shut-off valve for pressurized gases. The compact design makes the TV17GO ideal for installation into gas mixing plants. The valve is available with pneumatic actuator (normal position: NC or NO) or manual lever.

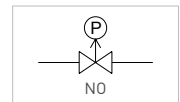
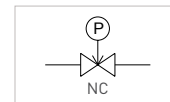
TECHNICAL DATA

Characteristic	Basic version
Functions	
Automatic venting	No
Check valve	No
Vacuum operation	Yes
Flow direction	One-way (B1 → B2)
Actuation	Pneumatically for automatic control (e.g. via SPS) or manual with actuation lever
Specifications of valve	
Nominal bore DN	12 mm
Operating pressure PS	Max. 420 bar
Leak rate	5 x 10 ⁻³ mbar x l/s
Temperature range	-30 °C up to +60 °C
Specifications of pneumatic actuator	
Pilot pressure port P1	G1/4" internal thread
Pilot pressure	6 - 8 bar
Measuring port M	M28x1.5 external thread
Material	
Parts (within media flow)	Brass and stainless steel 1.4305
Inlet valve seal	PEEK
O-rings / back-up rings	EPDM / PTFE / FKM
Springs	Steel 1.4310

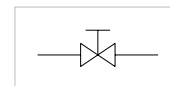
Other designs on request

Symbols acc. to ISO 1219-1

pneumatic:



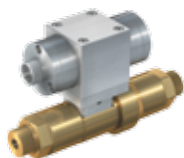
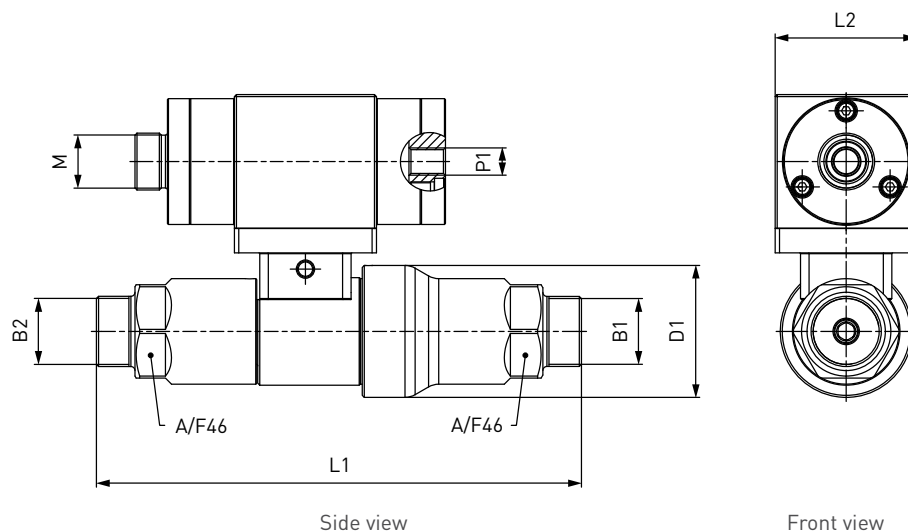
manual:



Ordering

ORDERING | High pressure valve TV17GO with pneumatic actuation

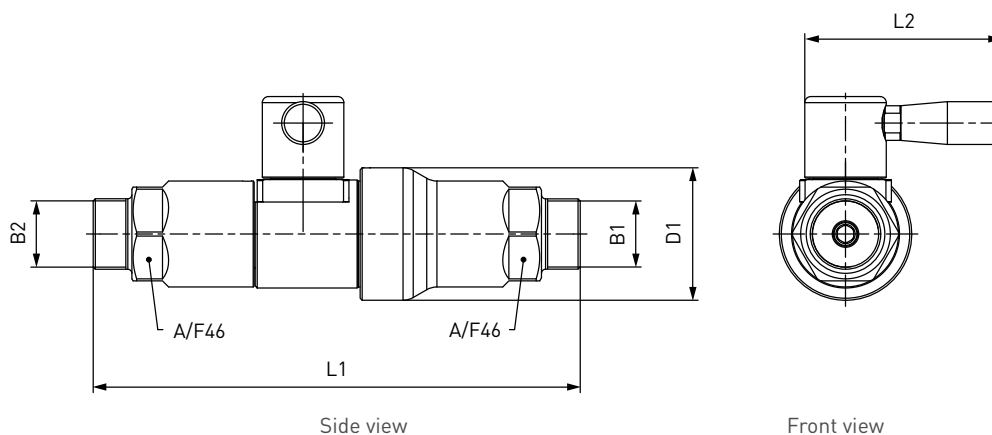
approx. dimensions (mm)



Part No.	DN	Normal position	B1 / B2 (external thread)	L1	L2	D1
C1-117583	12	NC	UNF 1 3/8"-12	239	70	65
C1-117591	12	NO	UNF 1 3/8"-12	239	70	65

ORDERING | High pressure valve TV17GO with manual actuation

approx. dimensions (mm)



Part No.	DN	B1 / B2 (external thread)	L1	L2	D1
C1-117587	12	UNF 1 3/8"-12	239	97	65

Other products

OTHER PRODUCTS

You will find more products in our current catalogue no. 55



Further information on our homepage
www.weh.com

» Contacting

For queries and further information, please do not hesitate to contact us.

Manufacturer:

WEH GmbH Precision Connectors

Josef-Henle-Str. 1
89257 Illertissen / Germany

Phone: +49 7303 9609-0
Fax: +49 7303 9609-9999

eMail: sales@weh.com
www.weh.com