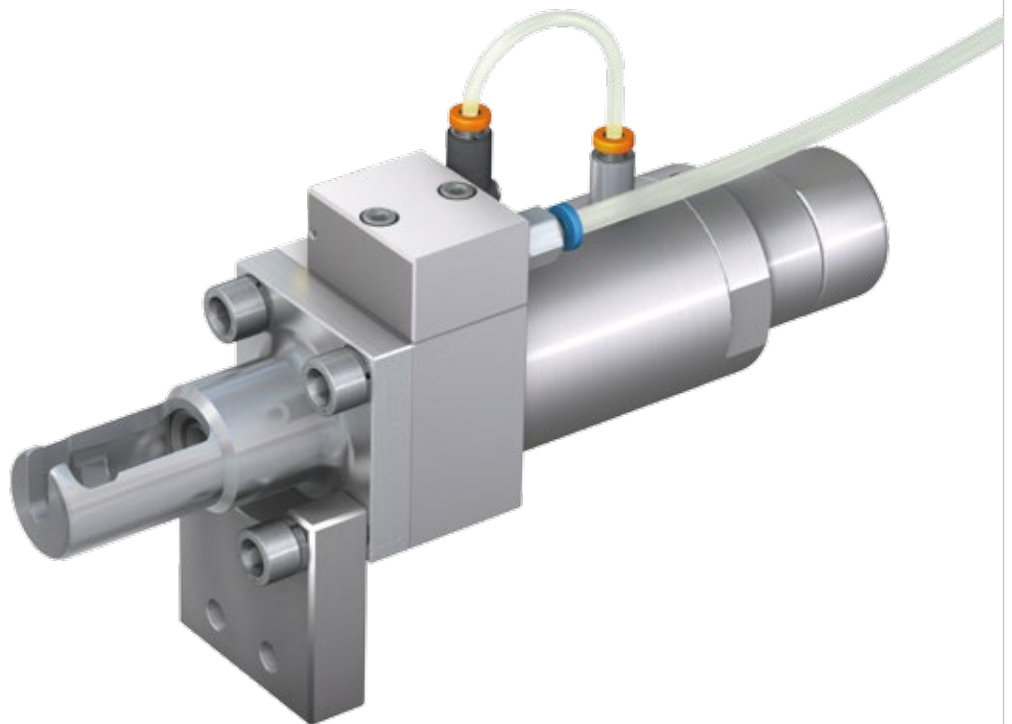


# Type **TW130**

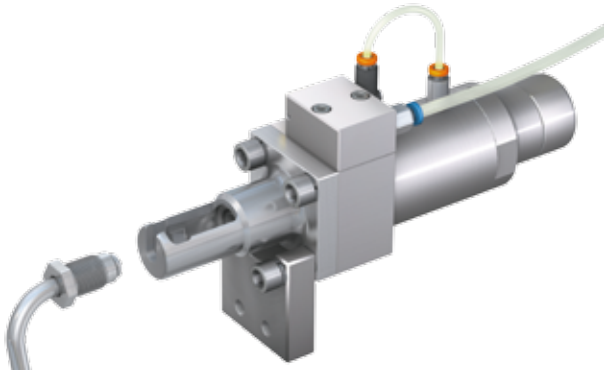
**WEH<sup>®</sup> Connector for pressure and function testing**

on components with banjo tube connections and hose / tube connections with sleeve nuts



**General**

**DESCRIPTION**



**Features**

- Connection in seconds
- No hand tightening required
- Testing of high quantities
- Suitable for automated testing
- Robust construction
- Ergonomic design

The WEH® TW130 Quick Connector has been developed specially for testing components with banjo tube connections, hose and tube connections with sleeve nuts and similar configurations. The compact design and ease of operation enables cost-effective testing, even for high quantities. The connector is equipped with pneumatic valve actuation, a customer-tailored steel sample holder and if required a retaining plate.

The WEH® TW130 is rated for a pressure range up to max. 350 bar. Automation is possible. Special versions, e.g. multi-connectors etc. are also available on request.

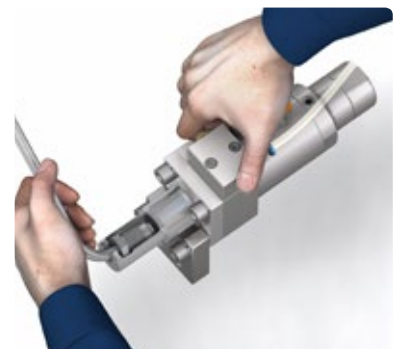
**Application**

Quick connector for pressure and function testing on components with banjo tube connections and hose / tube connections with sleeve nuts, e.g. for heat exchangers, high pressure hoses etc.

**TECHNICAL DATA**

Characteristic	Basic version
Operating pressure PS	Max. 350 bar
Pilot pressure	Max. 6 - 8 bar
Pilot pressure port P1	G1/8" internal thread
Temperature range*	-10 °C up to +80 °C
Medium	Air, water, mineral oils, helium
Actuation	Pneumatic actuation, automation is also possible
Material	Base unit: Corrosion resistant stainless steel, anodized aluminium
Sealing material	NBR

Example of use:

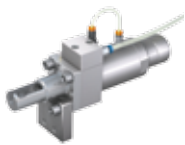
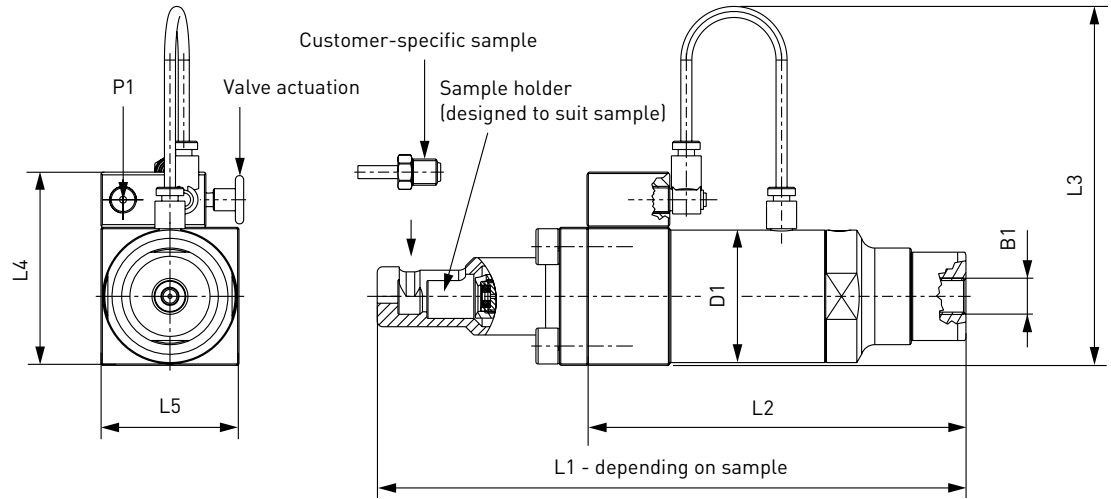


\* The values of the temperature ranges quoted apply for common hydraulic oils, for other media please contact us!  
Other designs on request

**Ordering / Accessories**

**ORDERING** | WEH® TW130 Quick Connector

approx. dimensions (mm)



Part No.	Body size	Inlet B1 (internal thread)	D1	L2	L3	L4	L5
On request	1	G1/4"	48	137.5	130	70	50
On request	2	G1/4"	62	137.5	140	84	64

Other connector sizes and versions on request.

Required information for ordering see page 9, catalogue no. 35.

**ACCESSORIES**

The following accessories are available for WEH® TW130:

**Fixturing parts**

A retaining plate is also available for ease of clamping the TW130 to test bench. Please contact us!

## Other products

### OTHER PRODUCTS

You will find more products in our current catalogue no. 35



Further information on our homepage  
[www.weh.com](http://www.weh.com)

#### » Contacting

For queries and further information, please do not hesitate to contact us.

*Manufacturer:*

**WEH GmbH Precision Connectors**

Josef-Henle-Str. 1  
89257 Illertissen / Germany

Phone: +49 7303 9609-0  
Fax: +49 7303 9609-9999

Email: [sales@weh.com](mailto:sales@weh.com)  
[www.weh.com](http://www.weh.com)