

# Type **TW131**

**WEH<sup>®</sup> Connector for pressure and function testing**

on components with banjo tube connections and hose / tube connections



## General

### DESCRIPTION



#### Features

- Connection in seconds
- No hand tightening required
- Testing of high quantities
- Robust construction
- Ergonomic design

The WEH® TW131 Quick Connector is the manual version of the WEH® TW130 Quick Connector. The connector has been developed specially for testing components with banjo tube connections, hose and tube connections with sleeve nuts and similar configurations.

A further important field of application is the testing of heat exchangers for the refrigeration and air conditioning industry, e.g. for solder connections.

The compact design and ease of operation enables cost-effective testing, even for high quantities. Simply pull back the grip sleeve and release it again to connect the sample.

The sample holder is individually adapted to the customer test piece.

The WEH® TW131 is rated for a pressure range up to max. 50 bar.

#### Application

Quick connector for pressure and function testing on components with banjo tube connection, hose and tube connection, e.g. for heat exchangers, etc.

### TECHNICAL DATA

Characteristic	Basic version
Operating pressure PS	Max. 50 bar*
Temperature range	-10 °C up to +80 °C
Medium	Helium
Actuation	Manual actuation via grip sleeve
Material	Base unit: Corrosion resistant stainless steel, anodized aluminium
Sealing material	NBR

\* Please note the product marking on the connector for the max. pressure to be applied  
Other designs on request

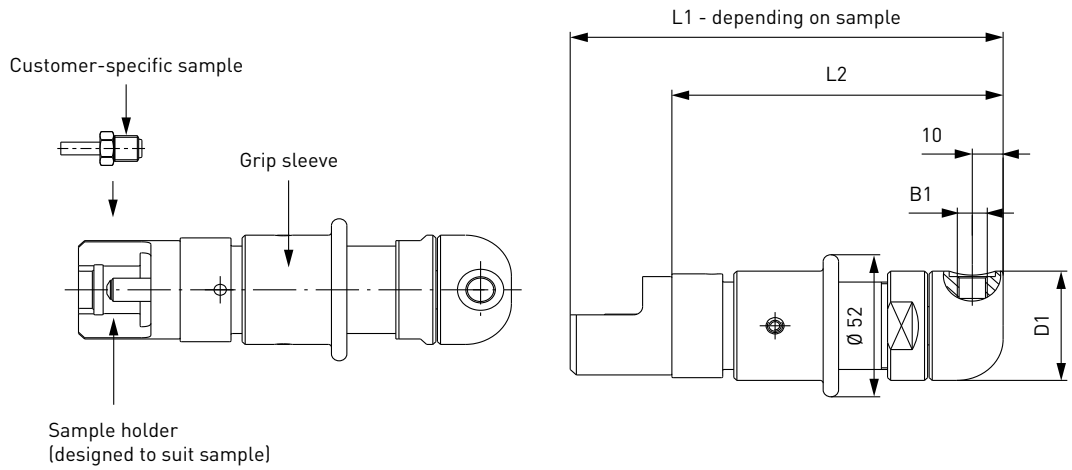
#### Example of use:



**Ordering**

**ORDERING** | WEH® TW131 Quick Connector

approx. dimensions (mm)



Part No.	Inlet B1 (internal thread)	D1	L2
<b>On request</b>	G1/8"	40	108

Please send us your enquiry together with the corresponding sample!

Other connector sizes and versions on request.

Required information for ordering see page 9, catalogue no. 35.

## Other products

### OTHER PRODUCTS

You will find more products in our current catalogue no. 35



Further information on our homepage  
[www.weh.com](http://www.weh.com)

#### » Contacting

For queries and further information, please do not hesitate to contact us.

*Manufacturer:*

**WEH GmbH Precision Connectors**

Josef-Henle-Str. 1  
89257 Illertissen / Germany

Phone: +49 7303 9609-0  
Fax: +49 7303 9609-9999

Email: [sales@weh.com](mailto:sales@weh.com)  
[www.weh.com](http://www.weh.com)