

# Type **TW141**

**WEH<sup>®</sup> Connector for pressure and function testing**  
of straight tubes



**General**

**DESCRIPTION**



**Features**

- Connection in seconds
- No hand tightening required
- For connection onto straight tubes, sealing on the external diameter
- No lateral forces generated on connection
- WEH® Jaw locking mechanism
- Ergonomic design
- High-grade materials

The WEH® TW141 Quick Connector provides pressure-tight connections on straight tubes and has earned a reputation for ease of operation. The TW141 is a lever-actuated connector, which creates no lateral forces that can distort the test piece or filling port when connecting and disconnecting. WEH® TW141 is fitted with an internal safety feature which prevents the connector from being removed until a pressure lower than 5 bar is attained.

**Application**

Quick connector for pressure and function testing of straight tubes, as for example leak testing of heat exchangers, air conditioning components and tube assemblies. Filling of closed cooling circuits with refrigerants.

**TECHNICAL DATA**

Characteristic	Basic version
Operating pressure PS	Vacuum up to max. 100 bar
Temperature range	-10 °C up to +80 °C
Leak rate	$1 \times 10^{-3}$ mbar x l/s
Medium	Refrigerants, air, gas, water, oil, etc. (please indicate when ordering)
Surface finish of test piece	$\leq R_z8 \mu\text{m}$ - surfaces greater than $R_z8 \mu\text{m}$ are not recommended
Material hardness of test piece	Max. hardness 28 HRC Connection to copper tubes
Material	Clamping jaws: Corrosion resistant stainless steel Housing: Anodized aluminium
Sealing material	Depending on medium

Other designs on request

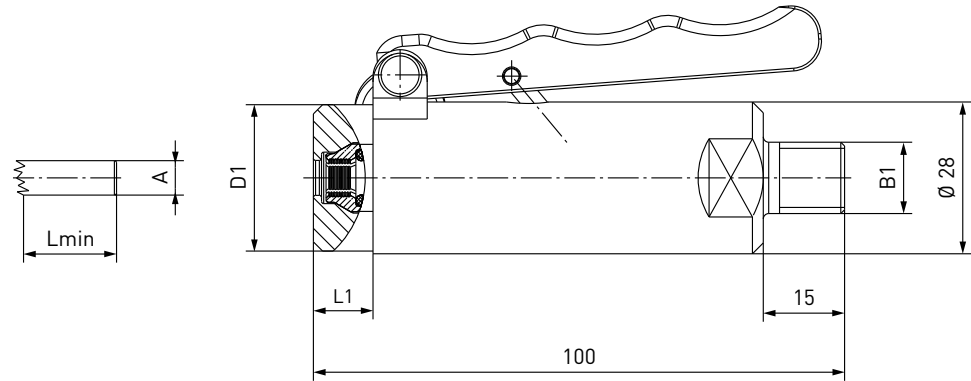
**Example of use:**



**Ordering**

**ORDERING** | WEH® TW141 Quick Connector – Ø A 4.8 mm up to Ø A 8.0 mm

approx. dimensions (mm)



Part No.	Sealing range external tube Ø A	Tolerance	Inlet B1 (external thread)	D1	L1*	Lmin**
<b>C1-17749</b>	4.8 (3/16")	± 0.2	NPT 1/4"	27	11	19
<b>C1-18575</b>	5.0	± 0.2	NPT 1/4"	27	11	19
<b>C1-14967</b>	6.0	± 0.2	NPT 1/4"	27	11	19
<b>C1-17606</b>	6.35 (1/4")	± 0.2	NPT 1/4"	27	11	19
<b>C1-17750</b>	7.9 (5/16")	± 0.2	NPT 1/4"	27	11	19
<b>C1-14968</b>	8.0	± 0.2	NPT 1/4"	27	11	19

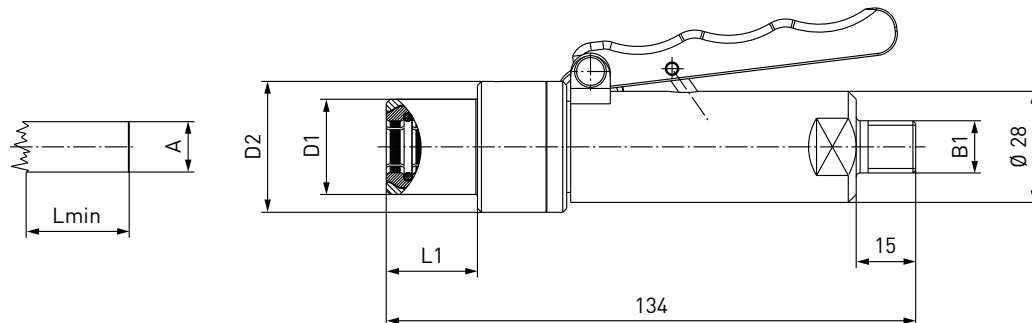
\* Due to customers specific applications and pressure ranges the dimensions can differ from the stated standard sizes.

\*\* Lmin: minimum length required for insertion of test piece

**Ordering**

**ORDERING** | WEH® TW141 Quick Connector – Ø A 9.5 mm up to Ø A 22.2 mm

approx. dimensions (mm)



Part No.	Sealing range external tube Ø A	Tolerance	Inlet B1 (external thread)	D1	D2	L1*	Lmin**
<b>C1-17536</b>	9.5 (3/8")	± 0.1	NPT 1/4"	21	33	24	19
<b>C1-16773</b>	10.0	± 0.1	NPT 1/4"	19	33	23	15
<b>C1-16774</b>	12.0	± 0.1	NPT 1/4"	21	33	23	15
<b>C1-17751</b>	12.7 (1/2")	± 0.1	NPT 1/4"	24	33	23	15
<b>C1-16775</b>	15.0	± 0.1	NPT 1/4"	24	33	23	15
<b>C1-17959</b>	15.9 (5/8")	± 0.1	NPT 1/4"	32	49	23	15
<b>C1-16776</b>	16.0	± 0.1	NPT 1/4"	32	49	23	15
<b>C1-16777</b>	18.0	± 0.1	NPT 1/4"	34	49	23	15
<b>C1-18006</b>	19.05 (3/4")	± 0.1	NPT 1/4"	34	49	23	15
<b>C1-16778</b>	22.0	± 0.1	NPT 1/4"	38	49	23	15
<b>C1-17939</b>	22.2 (7/8")	± 0.1	NPT 1/4"	38	49	23	15

\* Due to customers specific applications and pressure ranges the dimensions can differ from the stated standard sizes.

\*\* Lmin: minimum length required for insertion of test piece

Other connector sizes and versions on request.

Required information for ordering see page 9, catalogue no. 35.

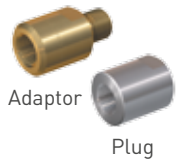
## Accessories

### ACCESSORIES

The following accessories are available for WEH® TW141:

#### Adaptors / Plugs

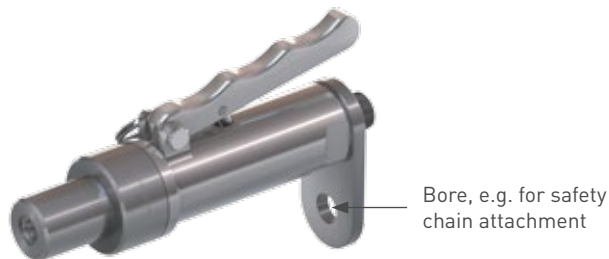
Different adaptors for other media inlets are available. If the connector is to be used as a plug, the media inlet 'B1' can be sealed.



Part No.	Description	Thread
<b>C1-30810</b>	Adaptor	NPT 1/4" internal thread - G1/4" internal thread
<b>C1-30366</b>	Adaptor	NPT 1/4" internal thread - G1/4" external thread
<b>E29-934p</b>	Adaptor	NPT 1/4" internal thread - UNF 7/16" external thread
<b>E29-900p</b>	Plug	NPT 1/4" internal thread

#### Anchor plate

WEH offers an anchor plate to create a safe, secure attachment for the TW141 and which can be used for all sealing ranges.



Part No.	Description
<b>C1-45285</b>	Anchor plate for TW141

## Other products

### OTHER PRODUCTS

You will find more products in our current catalogue no. 35



Further information on our homepage  
[www.weh.com](http://www.weh.com)

#### » Contacting

For queries and further information, please do not hesitate to contact us.

*Manufacturer:*

**WEH GmbH Precision Connectors**

Josef-Henle-Str. 1  
89257 Illertissen / Germany

Phone: +49 7303 9609-0  
Fax: +49 7303 9609-9999

Email: [sales@weh.com](mailto:sales@weh.com)  
[www.weh.com](http://www.weh.com)