

Type **TW713**

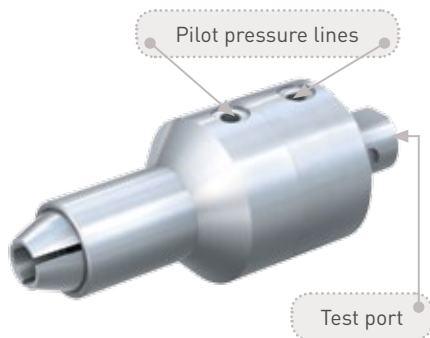
WEH[®] Connector for pressure and function testing

of fuel lines with bead or collar



General

DESCRIPTION



Features

- Central test port
- Connection in seconds
- No hand tightening required
- Integrated shut-off valve
- Robust construction
- High-grade materials

The WEH® Connector type TW713 has been specifically developed to connect fuel lines for engine hot testing and for testing of automotive components during manufacturing. The design of the connector is best suited for narrow spaces and meets the demand of such applications. Type TW713 is equipped with a central test port and pneumatically actuated grip sleeve for ease of use.

The lateral pilot pressure lines P1 and P2 are connected to the test system.

An integrated shut-off valve prevents leakage of fuel and enables a clean and safe operation.

For applications with manual actuation we recommend type TW710.

Application

Quick connector for pressure and function testing of fuel lines with bead or collar.

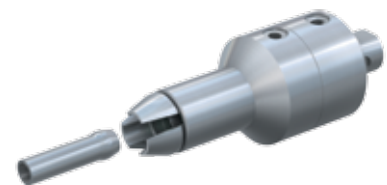
External thread on request.

TECHNICAL DATA

Characteristic	Basic version
Nominal bore DN	3.5 mm
Operating pressure PS	Max. 10 bar
Pilot pressure	Max. 6 bar
Temperature range	+5 °C up to +100 °C
Medium	Petrol, Diesel, compressed air
Actuation	Pneumatically actuated via grip sleeve
Material	Corrosion resistant
Sealing material	FKM
Design	With integrated shut-off valve

Other designs on request

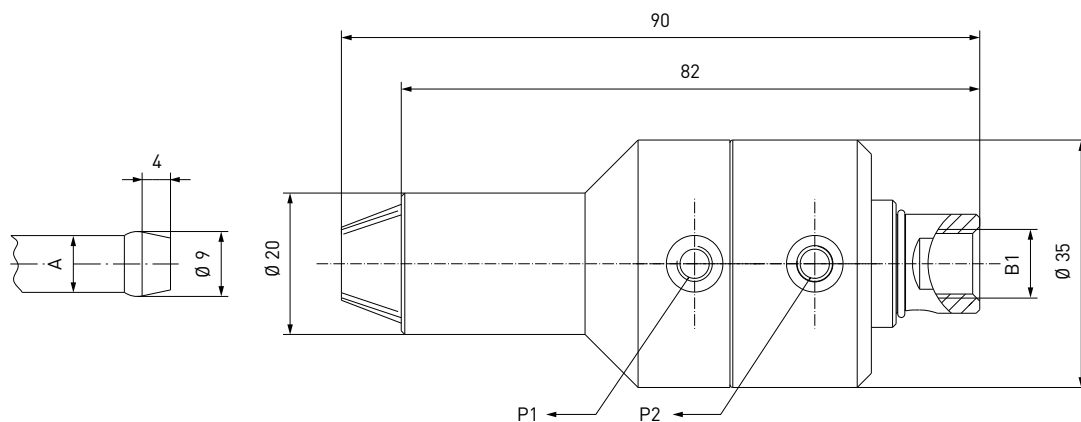
Example of use:



Ordering / Accessories

ORDERING | Quick connector TW713

approx. dimensions (mm)



Part No.	Description	Clamping diameter A	Inlet B1	Pilot pressure port P1/P2
C1-1532	TW713	8.0	G1/8" internal thread	M5

Other connector sizes and versions on request. Please note, that the external diameters of the connector might differ from the ones of other versions.
 On request type TW713 is also available without integrated shut-off valve.

ACCESSORIES

The following accessories are available for type TW713:

Screw plug

If the connector is to be used as a plug, inlet 'B1' will be sealed with a screw plug of brass. It is recommended that the media compatibility of the seal be tested by the customer!



Part No.	Description	Thread	Pressure range
E69-9200	Screw plug	G1/8" external thread	0 - 50 bar

Other threads on request

Other products

OTHER PRODUCTS

You will find more products in our current catalogue no. 30



Further information on our homepage
www.weh.com

» Contacting

For queries and further information, please do not hesitate to contact us.

Manufacturer:

WEH GmbH Precision Connectors

Josef-Henle-Straße 1
89257 Illertissen / Germany

Phone: +49 7303 9609-0
Fax: +49 7303 9609-9999

eMail: sales@weh.com
www.weh.com