

Type **TW221**

WEH[®] Connector for pressure and vacuum testing

of straight tubes and bores



General

DESCRIPTION



Features

- Connection in seconds
- No hand tightening required
- For connection into straight tubes and bores
- WEH® Jaw locking mechanism
- No seal adjustment required
- Wide range of tube tolerances
- High-grade materials

The WEH® TW221 Quick Connector provides a pressure-tight connection to straight tubes and bores (internal diameter) within seconds. The connector is suitable for filling and evacuating as well as for pressure and vacuum testing. The manually operated connector is secured to the component by its connection seal. In this case it is important that during testing, the test piece and seals have to remain absolutely dry to ensure proper functioning and sealing.

Application

Quick connector for pressure and vacuum testing of straight tubes and bores (internal diameter), as for example pressure vessels, valves, transducers, compressors, condensers, tubing systems etc.

TECHNICAL DATA

Characteristic	Basic version
Operating pressure PS	Max. 3 bar
Temperature range	+5 °C up to +80 °C
Leak rate	1×10^{-3} mbar x l/s
Medium	Oil free air or gaseous media (please indicate when ordering)
Material	Body size 1 + 2: Anodized aluminium Body size 3: Stainless steel
Sealing material	SBR

Other designs on request

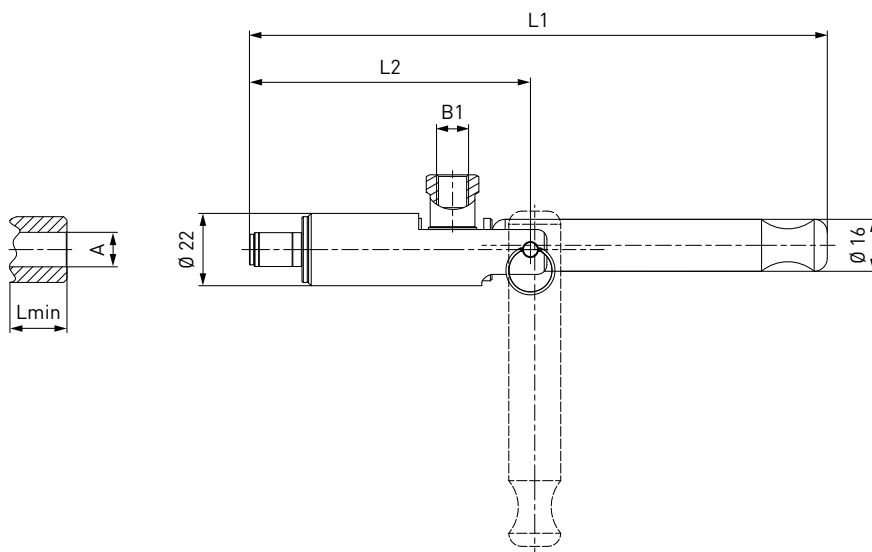
Example of use:



Ordering

ORDERING | WEH® TW221 Quick Connector – body size 1 + 2

approx. dimensions (mm)



Part No.	Body size	Sealing range internal tube Ø A	Inlet B1 (internal thread)	L1	L2	Lmin*	Seal set (consists of 5 front seals** + 5 o-rings)
C1-82309	1	9.5 - 10.4	G1/8"	176	86	16	B200B-89775
C1-82814	1	10.5 - 11.4	G1/8"	176	86	16	B200B-97248
C1-82305	1	11.5 - 12.4	G1/8"	176	86	16	B200B-90418
C1-82304	1	12.5 - 13.4	G1/8"	176	86	16	B200B-89774
C1-84246	2	13.5 - 14.4	G1/8"	186	96	29	B200B-91391
C1-84247	2	14.5 - 15.4	G1/8"	186	96	29	B200B-89737
C1-84248	2	15.5 - 16.4	G1/8"	186	96	29	B200B-90420
C1-84249	2	16.5 - 17.4	G1/8"	186	96	29	B200B-98586
C1-84251	2	17.5 - 18.4	G1/8"	186	96	29	B200B-95777
C1-82300	2	18.5 - 19.4	G1/8"	186	96	29	B200B-90416
C1-84252	2	19.5 - 20.4	G1/8"	186	96	29	B200B-90442
C1-82307	2	20.5 - 21.4	G1/8"	186	96	29	B200B-135789
C1-82308	2	21.5 - 22.4	G1/8"	186	96	29	B200B-95700
C1-84253	2	22.5 - 23.4	G1/8"	186	96	29	B200B-95894
C1-83865	2	23.5 - 24.4	G1/8"	186	96	29	B200B-84806

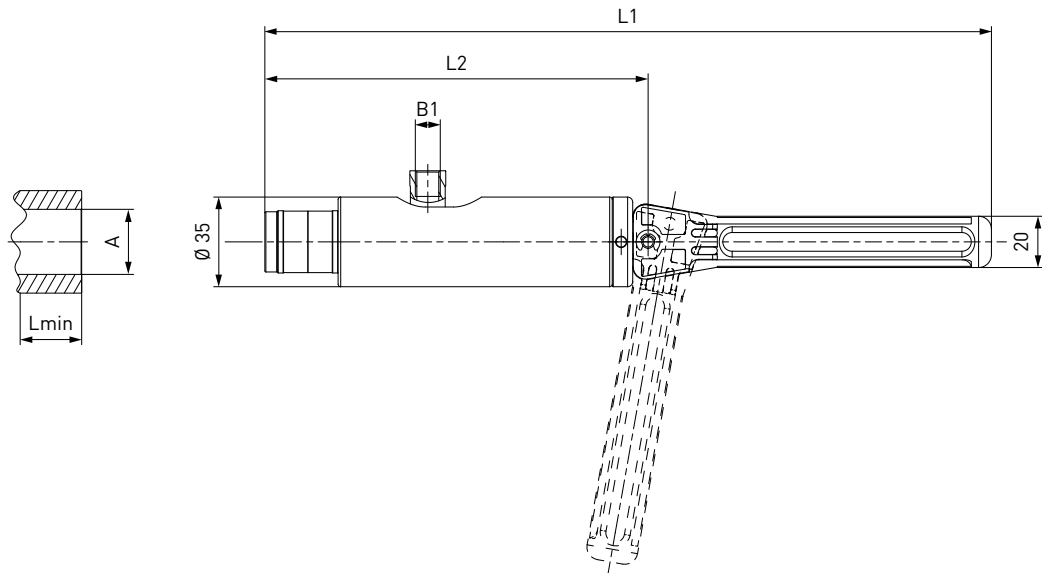
* Lmin: minimum length required for insertion of test piece

** Seal sets for body size 2 with a sealing range > 13.5 mm always include 10 front seals

Ordering

ORDERING | WEH® TW221 Quick Connector – body size 3

approx. dimensions (mm)



Part No.	Body size	Sealing range internal tube Ø A	Inlet B1 (internal thread)	L1	L2	Lmin*	Seal set (consists of 10 front seals** + 5 o-rings)
C1-86878	3	24.5 - 25.4	G1/8"	285	251	30	B200B-89777
C1-84141	3	25.5 - 26.4	G1/8"	285	251	30	B200B-91135
C1-88744	3	26.5 - 27.4	G1/8"	285	251	30	B200B-97374
C1-86190	3	27.5 - 28.4	G1/8"	285	251	30	B200B-89778
C1-87141	3	28.5 - 29.4	G1/8"	285	251	30	B200B-135788
C1-86191	3	29.5 - 30.4	G1/8"	285	251	30	B200B-96452

* Lmin: minimum length required for insertion of test piece

Other connector sizes and versions on request.

Required information for ordering see page 9, catalogue no. 35.

Accessories

ACCESSORIES

The following accessories are available for WEH® TW221:

Screw plug

If the WEH® Connector is to be used as a plug, the media inlet 'B1' will be sealed with a screw plug of brass. It is recommended that the media compatibility of the seal be tested by the customer!



Part No.	Description	Thread (external thread)	Pressure range
E69-9200	Screw plug (low pressure)	G1/8"	0 - 50 bar

Other products

OTHER PRODUCTS

You will find more products in our current catalogue no. 35



Further information on our homepage
www.weh.com

» Contacting

For queries and further information, please do not hesitate to contact us.

Manufacturer:

WEH GmbH Precision Connectors

Josef-Henle-Str. 1
89257 Illertissen / Germany

Phone: +49 7303 9609-0
Fax: +49 7303 9609-9999

Email: sales@weh.com
www.weh.com