

Type **TN1 H₂ High-Flow**

WEH[®] Receptacle

for refuelling of buses and trucks with hydrogen



General

DESCRIPTION



Features

- Flow rate approx. 100 - 120 g/sec.
- Low-noise refuelling
- Integrated self-cleaning particle filter (40 micron)
- Integrated high-flow check valve
- Sealing-friendly design
- Coding for pressure range / gas type

The WEH[®] TN1 H₂ Receptacle was developed to be used with the WEH[®] TK16 H₂ High-Flow Fuelling Nozzle, enabling to refuel buses and trucks from now on at car fuelling stations. Refuelling with a higher speed occurs either with a TK16 H₂ Fuelling Nozzle or with a TK16 H₂ High-Flow Fuelling Nozzle. Due to the internal aerodynamic design the receptacle gives low noise (no high frequency whistle) combined with maximum flow rate and fast filling. The receptacle is a very durable unit, minimizing maintenance and down-time. The WEH[®] TN1 H₂ High-Flow Receptacle has an integrated check valve system which is designed to minimize the effect that dirt particles have on the sealing components within the receptacle. The TN1 H₂ High-Flow is also equipped with a coding for pressure range and gas type.

Enhanced safety by integrating a particle filter

Using an integrated particle filter avoids dirt ingress and therefore leakage from the receptacle which gives enhanced safety.

Application

Receptacle for refuelling of buses and trucks with hydrogen.

		NOZZLE - pressure range/coding			
		250 bar	350 bar	350 bar HF*	700 bar
RECEPTACLE - pressure range/coding	250 bar	✓			
	350 bar	✓	✓		
	350 bar HF*	✓	✓	✓	
	700 bar	✓	✓		✓

* HF = High-Flow

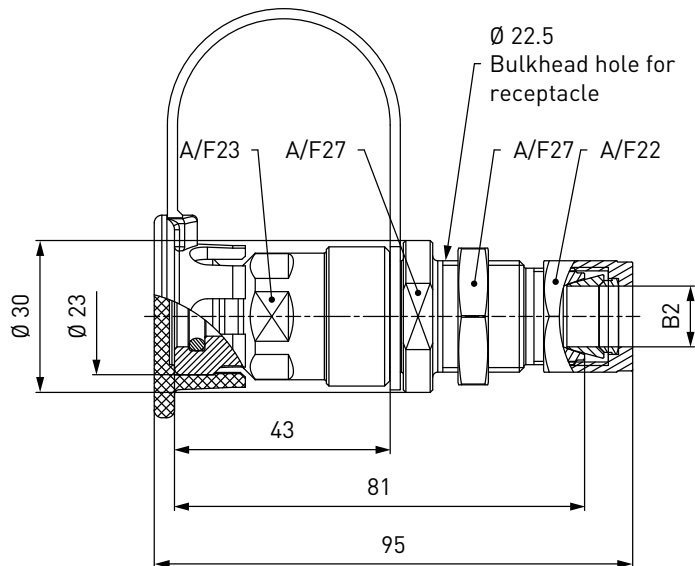
TECHNICAL DATA

Characteristic	Basic version	Options
Nominal bore DN	Max. 8 mm, depending on design	On request
Pressure range	PN = 350 bar (5,000 psi) PS = 450 bar PT = 675 bar	
Temperature range	-40 °C up to +85 °C (-40 °F up to +185 °F)	On request
Material	Corrosion resistant	On request
Sealing material	Hydrogen compatible	On request
Design	With protection cap, integrated particle filter (40 micron), integrated check valve and fittings (only for receptacles with tube fitting)	On request
Registration	e1 00 0003 (Regulation (EC) No. 79/2009) SAE J2600:2002	

Ordering

ORDERING | WEH® TN1 H₂ High-Flow Receptacle with tube fitting

approx. dimensions (mm)



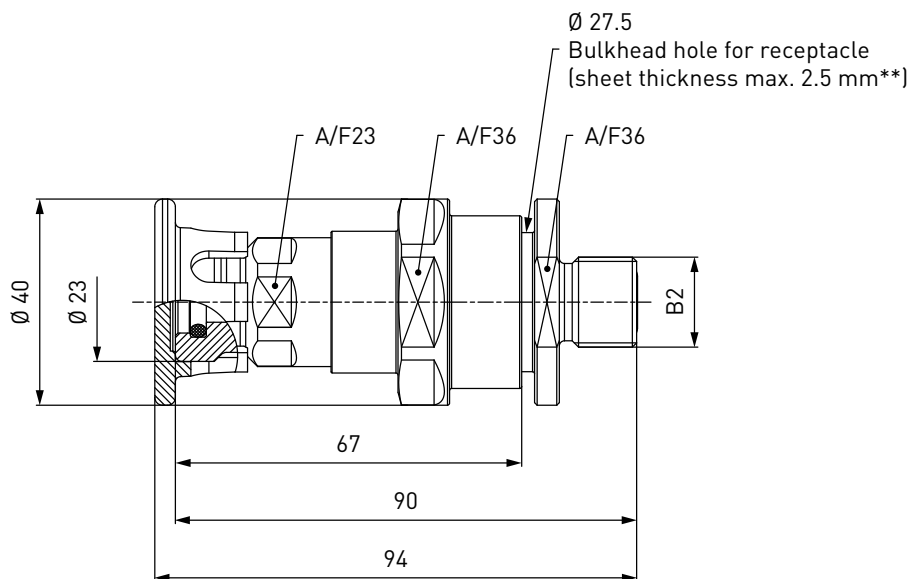
Part No.	Description	DN	Pressure (PN)	Port B2
C1-85040	TN1 H ₂ High-Flow (e1)	8	350 bar / 5,000 psi	Tube Ø 12*

* double ferrule fitting

Ordering

ORDERING | WEH® TN1 H₂ High-Flow Receptacle with external thread, prepared for data interface

approx. dimensions (mm)



Part No.	Description	DN	Pressure (PN)	Port B2 (external thread)
C1-94306	TN1 H ₂ High-Flow (e1)	6	350 bar / 5,000 psi	UN 11/16"-16 for sealing with O-Lok® Face Seal* for tube Ø 10 (3/8")
C1-112679	TN1 H ₂ High-Flow (e1)	8	350 bar / 5,000 psi	UN 13/16"-16 for sealing with O-Lok® Face Seal* for tube Ø 12.7 (1/2")

* Face Seal acc. to SAE J1453

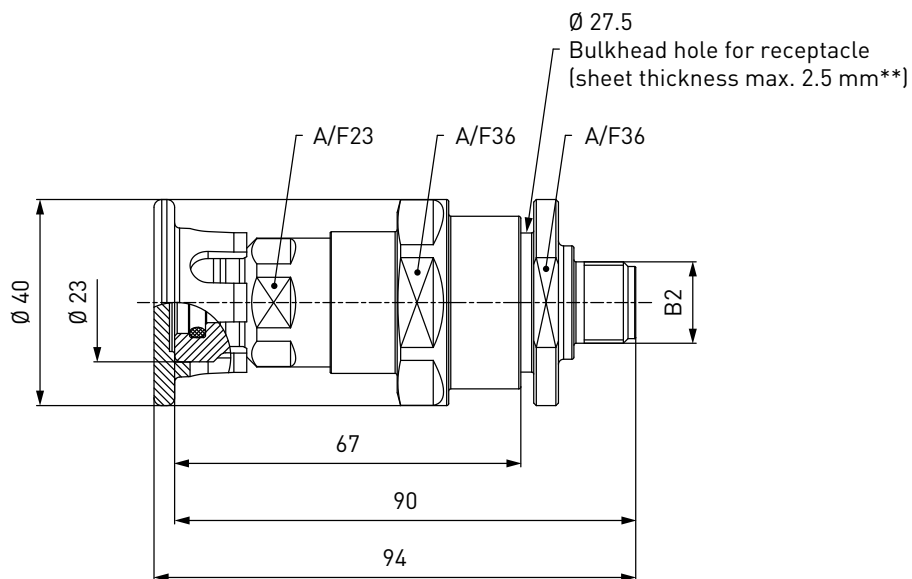
** Please indicate when ordering if thicker sheet metals are needed!

Data interface not included!

Ordering / Spare parts

ORDERING | WEH® TN1 H₂ High-Flow Receptacle with tube fitting, prepared for data interface

approx. dimensions (mm)



Part No.	Description	DN	Pressure (PN)	Port B2
C1-105920	TN1 H ₂ High-Flow (e1)	6	350 bar / 5,000 psi	Tube Ø 10*

* double ferrule fitting

** Please indicate when ordering if thicker sheet metals are needed!
Data interface and fittings not included!

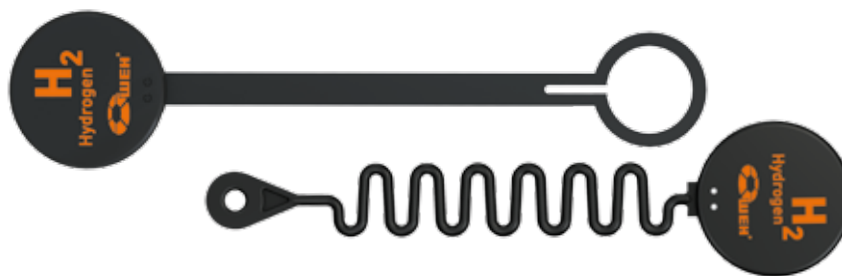
Other connection sizes and versions on request.

SPARE PARTS

Various parts are available as spares for the WEH® TN1 H₂ High-Flow Receptacle:

Protection cap

Protection cap with a strap to protect the TN1 H₂ High-Flow receptacle from dirt ingress.



Part No.	Description
C1-87803	Protection cap
C1-85984	Protection cap for receptacles prepared for data interface

Other products

OTHER PRODUCTS

You will find more products in our current catalogue no. 50



Further information on our homepage
www.weh.com

» Contacting

For queries and further information, please do not hesitate to contact us.

Manufacturer:

WEH GmbH Gas Technology

Josef-Henle-Str. 1
89257 Illertissen / Germany

Phone: +49 7303 95190-0

Fax: +49 7303 95190-9999

eMail: h2sales@weh.com

www.weh.com