

## M8SI | DN8 DIAPHRAGM VALVE FOR UHP APPLICATIONS

Feature a unique proven design

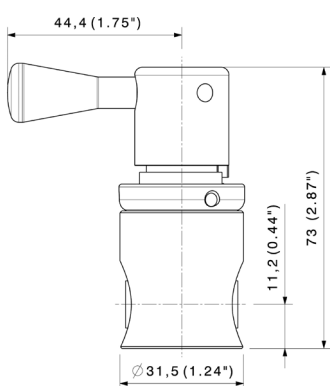
## KEY FEATURES

- Spring-less
- Metal/Metal Tightness to the atmosphere
- Ultra High Purity Cleaning
- High cycling
- Individual serial number, for traceability
- Compact size (70,6 mm)
- Electropolishing of all internal surfaces
- Integral He leak testing
- Stainless Steels 316L / VAR / Hastelloy® (on request)
- Assembling, testing & packaging in cleanroom
- Visual Open/Close Indicator on manual valves
- Fully functional from vacuum to rated pressure
- Excellent purgeability
- Multiporting options
- 2 bottoms fixations ns

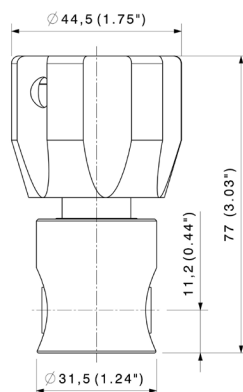


## DIMENSIONS

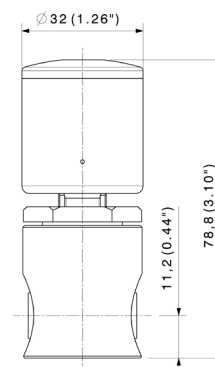
QUARTERTURN LQ



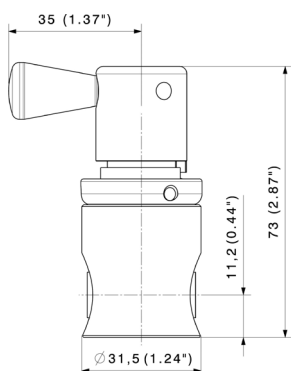
MULTITURN LM



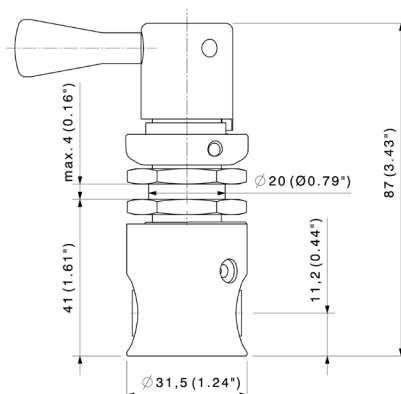
PNEUMATIC BP



QUARTERTURN LQS



QUARTERTURN LQ, OPTION FT



## SPECIFICATIONS

<b>Fluid Media</b>	Standard, UHP, corrosive and non-corrosive gases	<b>Temperature range</b>	-20°C to + 65°C PCTFE (-4°F to 149°F) standard	<b>Certified max. Helium outboard leak rate (at max. pressure)</b>	< 1.10 <sup>-9</sup> mbar.l/sec
<b>Max. working pressure</b>	<ul style="list-style-type: none"> <li>• M8-SI manual multiturn LM: 290psi (20 bar)</li> <li>• M8-SI manual quarter turn LQ: 290psi (20 bar)</li> <li>• M8-SI BPNF - BPNO: 140psi (10 bar)</li> </ul>	<b>Burst pressure</b>	6.500 psi (450 bar)	<b>Certified max. Helium across the seat (at max. pressure)</b>	< 1.10 <sup>-9</sup> mbar.l/sec
<b>Pneumatic actuator opening pressure</b>	5 - 7 bar (75 - 105 psi)	<b>Flow Capacity</b>	Cv = 0,5	<b>Wetted volume</b>	< 1.6 cm <sup>3</sup>
		<b>Certified max. Helium inboard leak rate</b>	< 1.10 <sup>-9</sup> mbar.l/sec	<b>Mounting</b>	Back mounting or optional Panel mounting
				<b>Nominal seat Diameter</b>	8 mm (0,32")

## CONSTRUCTION MATERIAL

	Parts	Valve Grade & Materials		
		M8-SI S	M8-SI V	M8-SI U
<b>Wetted parts</b>	Body	SS 316L / SS VAR / Hatelloy®		
	Surface Finish	< 0,4 µm non EP (15 µ in Ra)	< 0,25 µm EP (10 µ in Ra)	< 0,18 µm EP (7 µ in Ra)
	Diaphragm	Phynox®		
	Seat Material	Kel-F®		
<b>Non-wetted parts</b>	Backup diaphragms	UNS R30003 (Phynox)®		
	All others	Stainless steel or alloys		

## MANUAL ACTUATION

Parts for all valve grades	
<b>Upper spindle</b>	Brass
<b>Handle</b>	Aluminium
<b>All others</b>	Stainless Steel 316L

## PNEUMATIC ACTUATION

Parts	
<b>Actuator Body</b>	Aluminium / SS
<b>Piston</b>	Brass / Aluminium / Stianless steel
<b>O-ring</b>	NBR
<b>All others</b>	Stainless Steel 316 L

## PRODUCT CONFIGURATOR

	Valve series, Surface Finish	Valve Actuation	Valve Configurations	Body Material (others on request)	Seat Material	End Connection	Options
M8SI	S	BPNF	2V1	I	K	A/B: B <sup>3/8</sup>	
	Ra 0.25 µm EP (10 µin Ra)-316 L VAR	Multi-Turn Handwheel (20bar)	2 ports in line	AISI 316L	PCTFE (Kel-F®)	Metal face seal 3/8" - Female	Panel Mounting (LQ only) FT
	Ra 0.4 µm (15 µin Ra)-316 L low sulf.	Pneumatically actuated (10bar)	3 ports T configuration	Hastelloy® On request		Metal face seal 3/8" - Male non swiel	
	Ra 0,18 µm EP (7 µin Ra)	Quarter-Turn Handwheel (20bar)		SS VAR On request		BWO 3/8" (Orbital Weld)	
						BWO 1/2" (Orbital Weld)	
						BWO 10 mm (Orbital Weld)	
						BWO 12 mm (Orbital Weld)	
						Others on request	