



SELFA

A total component solution, from source to process

High pressure cryogenic line valves, bellows seal type, for high purity reactive gases, manually actuated

HP

9005-9012



KEY FEATURES

- Small gas absorption and desorption from seal material
- Fully contained seat
- Double walled, electronic shooting or laser welded bellows ensure high leak tightness integrity
- Metal to metal sealing to atmosphere
- Secondary sealing through PCTFE packing prevents atmospheric contamination in case of bellows failure
- Checkport allows on line monitoring of bellows tightness
- Visual indication of valve position (open/closed)

STANDARD SPECIFICATION

Working pressure pmax	200 bar/2900 psi
Temperature range	-200°C to +100°C
Helium leak rate	at pmax:
• internal	10 ⁻⁹ mbarl/sec
• external	10 ⁻⁹ mbarl/sec
Flow coefficient Cv	0.72-1.9
Nominal seat diameter	6, 8, 12 mm
Weight	See below
Material	
• body	316 L
• bellows	316 L
• seat	PCTFE



SELFA

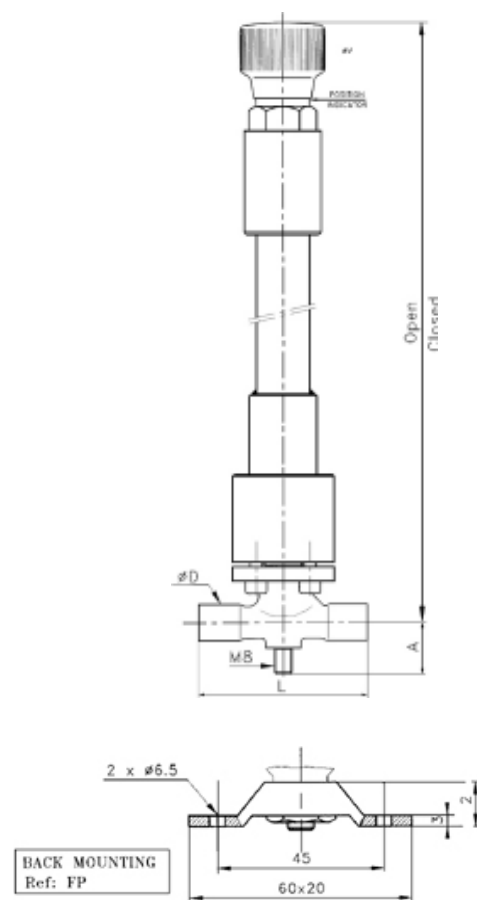
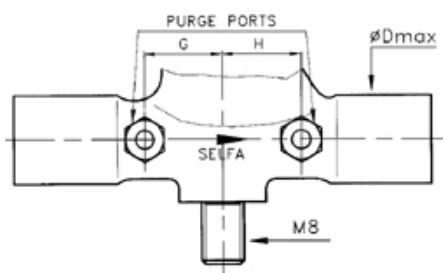
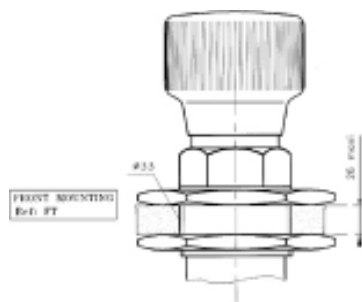
HP
9005-9012

BASIC MODELS

- Butt weld connections
- Surface finish Ra 0.4µm
- Cleaning according to ST-017
- Passivation

OPTIONS

- VCR connection
- Purge ports VCR
- Electropolished surfaces Ra 0.2 µm or 0.4 µm (ex: EP 0.2)
- Microcleaning for high purity application according to ST-020
- Vespel seat - Stainless steel seat
- Front or back panel mounting
- Electric limit switches (Ref: MRE2)



CHARACTERISTICS

Valves	DN	Cv	Weight kg	L	ØB	ØV	Open	Closed	dimensions in mm		
									G	H	D max
HP 9005	6	0.72	2.2	90	48	40	320.5	319	15	15	17
HP 9008	8	1.02	2.2	90	48	40	320.5	319	15	15	17
HP 9012	12	1.9	3.5	140	70	100	325	322	30	30	24

Other dimensions upon request

ORDERING

When ordering, please specify:

- Series number
 - Connections
 - Type of gas
 - Example: HP 9008 - I/K - BWO 3/8" - BWO 3/8" - EP 0.4 - Oxygen (See attached order template)
- Inlet - Outlet



www.rotarex.com

SELFA S.A.

24, route de Diekirch - B.P. 19 L-7505 Lintgen, G.-D. of Luxembourg (EU)

**ISO 9001
CERTIFIED**

Tel.: +352 32 78 32 - 401

Fax: +352 32 78 32 - 322

*All GAZEL® Face Seals are VCR® compatible. VCR® is a registered trade mark of CAJON CO., HASILOY® is a registered trade mark of CABOT Corp.,
 Kei-F® is a registered trade mark of 3M company, Vespel® is a registered trade mark of DUPONT, ELGILOY® is a registered trade mark of ELGILOY Company.

12-6 Droits de modifications réservés / All rights of change reserved / Änderungsrechte vorbehalten