



# SELFA

A total component solution, from source to process

Low pressure valves, bellows seal type, for high purity fluids, pneumatically actuated



**312-PM70**  
**380-PM200**



## KEY FEATURES

- Reduced gas absorption and desorption from seal material
- Fully contained seat
- Electronic shooting or laser welded bellows ensure high leak tightness integrity
- Metal to metal sealing to atmosphere
- Secondary sealing through elastomer packing prevents atmospheric contamination in case of bellows failure
- Checkport allows on line monitoring of bellows tightness
- Visual indication of valve position (open/closed)
- Normally closed (NF)
- Actuator operating pressure: 5-7 bar

## STANDARD SPECIFICATION

|                       |   |
|-----------------------|---|
| Working pressure pmax | 4-60 bar/58-870 psi   |
| Temperature range     | -20°C to +80°C  |
| Helium leak rate      | at pmax:  |
| • internal            | 10 <sup>-9</sup> mbarl/sec  |
| • external            | 10 <sup>-9</sup> mbarl/sec  |
| Flow coefficient Cv   | 2.7 - 90.15   |
| Nominal seat diameter | 12 - 80 mm  |
| Weight                | 2.2 - 52  |
| Material              |   |
| • body                | 316 L   |
| • bellows             | 316 L   |
| • seat                | PCTFE   |
| • actuator            | anodized aluminium<br>or backed liquid spray<br>coating in grey or white (HP) |



# SELFA

312-PM70  
380-PM200

## BASIC MODELS

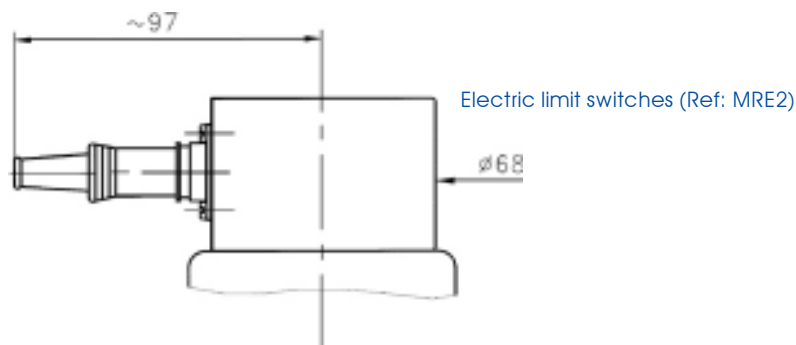
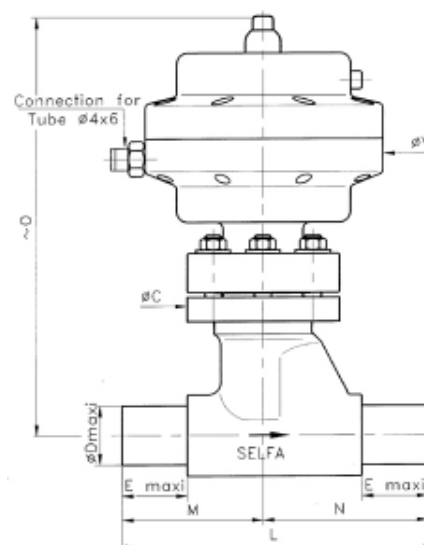
- Butt weld connections
- Surface finish Ra 0.4µm
- High purity cleaning
- pPassivation

## CHARACTERISTICS

See Valve Sizing Guide

## OPTIONS

- GAZEL®/VCR® connections
- Purge port GAZEL®/VCR®
- Electropolished surfaces Ra 0.2 µm or 0.4 µm (ex: EP 0.2)
- BRASS BODY (Ref:L)
- Back panel mounting (Ref: FP)
- Vespel seat, stainless steel seat, others on request
- Electric limit switches (Ref: MRE2)
- Pneumatic limit switch (Ref: MRP1)
- Normally open (NO)



## ORDERING

When ordering, please specify:

- Series number
- Connections
- Type of gas
- Example: K312 PM70 - NF - I/K -MGAZEL®/VCR® 1/2" -MGAZEL®/VCR® 1/2"- EP 0.2 -Oxygen (See attached order template)



www.rotarex.com

**SELFA S.A.**

24, route de Diekirch - B.P. 19 L-7505 Lintgen, G.-D. of Luxembourg (EU)

**ISO 9001  
CERTIFIED**

Tel.: +352 32 78 32 - 401

Fax: +352 32 78 32 - 322

\*All GAZEL® Face Seals are VCR® compatible. VCR® is a registered trade mark of CAJON CO., HASIELLO® is a registered trade mark of CABOT Corp., Kei-F® is a registered trade mark of 3M company, Vespel® is a registered trade mark of DUPONT, ELGILOY® is a registered trade mark of ELGILOY Company.

12-6 Droits de modifications réservés / All rights of change reserved / Änderungsrechte vorbehalten