



SELFA

A total component solution, from source to process

Low pressure cryogenic line valves, bellows seal type, for high purity reactive gases, manually actuated



KEY FEATURES

- Reduced level of particule emission
- Fully contained seat
- Double walled, laser welded bellows ensure high leak tightness integrity
- Metal to metal sealing to atmosphere
- Reduced gas absorption and desorption from seal material
- Secondary sealing through NITRILE packing prevents atmospheric contamination in case of bellows failure
- Checkport allows on line monitoring of bellows tightness
- Visual indication of valve position (open/closed)
- Cryogenic application

STANDARD SPECIFICATION

Working pressure pmax	30 bar/435 psi
Temperature range	-200°C to +100°C
Helium leak rate	at pmax:
• internal	10 ⁻⁹ mbarl/sec
• external	10 ⁻⁹ mbarl/sec
Flow coefficient Cv	K905: 0.72
	K908: 0.78
Nominal seat diameter	6.8 mm
Weight	0.7 kg
Material	
• body	316 L
• bellows	316 L
• seat	PCTFE



SELFA

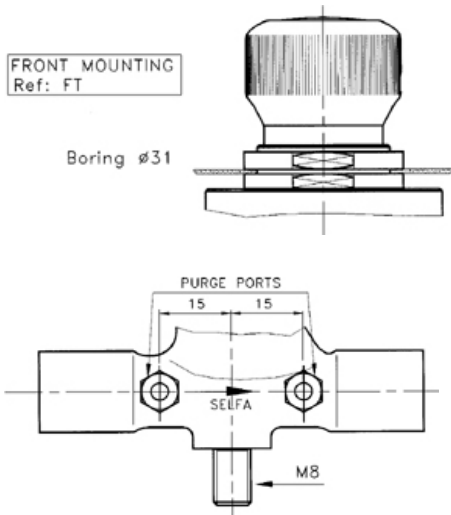
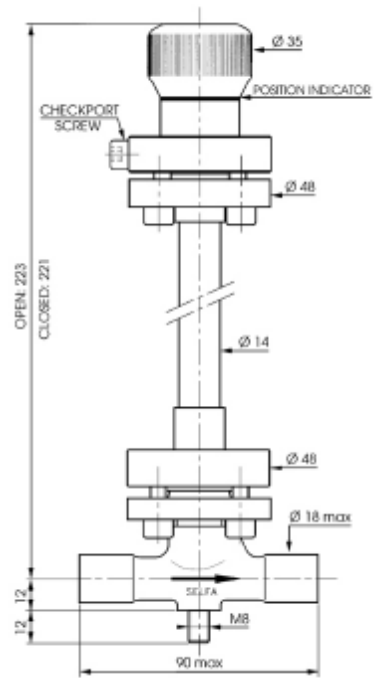


BASIC MODELS

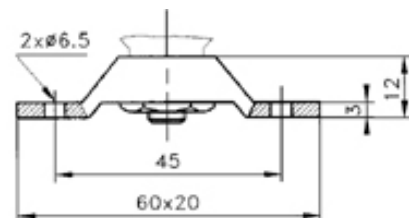
- Butt weld connections
- Surface finish Ra 0.4µm
- Cleaning according to ST-017
- Passivation
- Back mounting (M8)

OPTIONS

- Purge ports male GAZEL ®/VCR® 1/4"
- GAZEL ®/VCR® connections
- Electropolished surfaces Ra 0.2 µm or 0.4 µm (ex: EP 0.2)
- Brass body (Ref: L)
- Vespel seat, stainless steel seat
- Front or back panel mounting (Ref: FT or FP)
- Electric or pneumatic limit switches (Ref: MRE2 or MRP1)



BACK MOUNTING
Ref: FP



ORDERING

When ordering, please specify:

- Series number
- Connections
- Type of gas
- Example: K908 - I/K - MGAZEL ®/VCR® 1/2" - MGAZEL ®/VCR®1/2"- MRE2 -Nitrogen (See attached order template)

Inlet - Outlet



www.rotarex.com

SELFA S.A.

24, route de Diekirch - B.P. 19 L-7505 Lintgen, G.-D. of Luxembourg (EU)

ISO 9001
CERTIFIED

Tel.: +352 32 78 32 - 401
Fax: +352 32 78 32 - 322

*All GAZEL® Face Seals are VCR® compatible. VCR® is a registered trade mark of CAJON CO., HASIelloY® is a registered trade mark of CABOT Corp., Kel-F® is a registered trade mark of 3M company, Vespel® is a registered trade mark of DUPONT, ELGILOY® is a registered trade mark of ELGILOY Company.

12-6 Droits de modifications réservés / All rights of change reserved / Änderungsrechte vorbehalten