



# SELFA

A total component solution, from source to process

Low pressure cryogenic line valves, bellows seal type, for high purity fluids, manually actuated



912-950



## KEY FEATURES

- Reduced gas absorption and desorption from seal material
- Fully contained seat
- Electronic shooting or laser welded bellows ensure high leak tightness integrity
- Metal to metal sealing to atmosphere
- Secondary sealing through Elastomer packing prevents atmospheric contamination in case of bellows failure
- Checkport allows on line monitoring of bellows tightness
- Cryogenic applications

## STANDARD SPECIFICATION

Working pressure pmax	30 bar/435 psi
Temperature range	-196°C to +100°C
Helium leak rate	at pmax:
• internal	10 <sup>-9</sup> mbarl/sec
• external	10 <sup>-9</sup> mbarl/sec
Flow coefficient Cv	2.7 - 34
Nominal seat diameter	10 - 50 mm
Weight	2.3 - 13.6 kg
Material	
• body	316 L
• bellows	316 L
• seat	PCTFE



**SELFA**

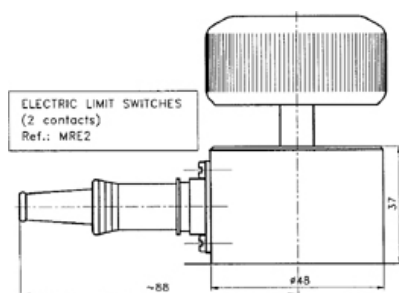
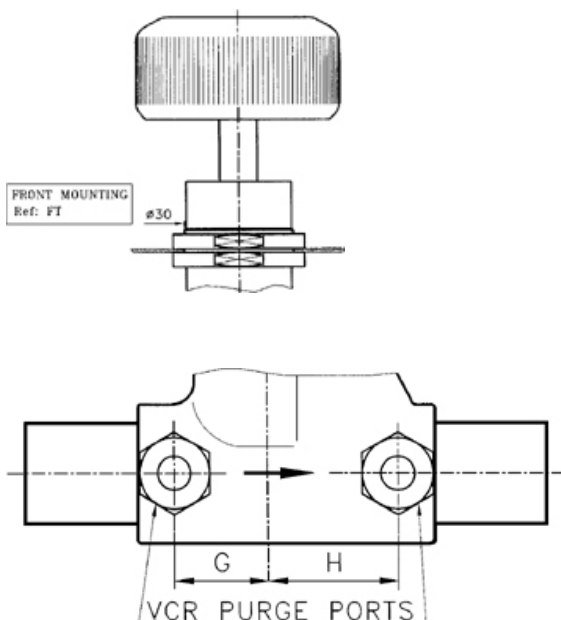
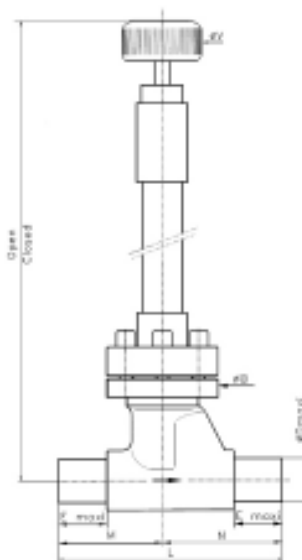


**BASIC MODELS**

- Butt weld connections
- Surface finish Ra 0.4µm
- High purity cleaning
- Passivation

**OPTIONS**

- Working pressure: 100 bar (1450 psi) for K 920
- GAZEL®/VCR® connections
- Purge port GAZEL®/VCR® 1/4"
- Electropolished surfaces Ra 0.2 µm or 0.4 µm (ex: EP 0.2)
- Microcleaned for ultra high purity applications according
- Brass body
- Back panel mounting (Only K912 and K920)
- Vespel seat, stainless steel seat, others on request
- Electric limit switches (Ref: MRE2)
- Pneumatic limit switch (Ref: MRP1)



**CHARACTERISTICS**

dimensions in mm

TYPE	DN	Cv	L	M	N	Dmax	Emax	ØB	Open	Closed	G	H	ØV	Weight kg
K912	10/12	2.7	140	70	70	Ø23	30	70	328	323	30	30	50	2.3
K920	15/20	4.81	140	65	75	Ø34	30	70	337	332	25	35	50	2.7
K932	25/32	15	180	70	110	Ø52	35	110	590	582	32	50	125	7.7
K950	40/50	34	250	100	150	Ø74	35/40	135	616.5	604	40	80	125	13.6

Other dimensions upon request

**ORDERING**

When ordering, please specify:

- Series number
- Connections
- Type of gas
- Example: K920 - 1/K - MGAZEL®/VCR® 1/2" - MGAZEL®/VCR® 1/2"- EP 0.4 -Oxygen  
(See attached order template)

Inlet - Outlet



www.rotarex.com

**SELFA S.A.**

24, route de Diekirch - B.P. 19 L-7505 Lintgen, G.-D. of Luxembourg (EU)

**ISO 9001  
CERTIFIED**

Tel.: +352 32 78 32 - 401

Fax: +352 32 78 32 - 322

\*All GAZEL® Face Seals are VCR® compatible. VCR® is a registered trade mark of CAJON CO., HASILOY® is a registered trade mark of CABOT Corp., Kei-F® is a registered trade mark of 3M company, Vespel® is a registered trade mark of DUPONT, ELGILOY® is a registered trade mark of ELGILOY Company.

Droits de modifications réservés / All rights of change reserved / Änderungenrechte vorbehalten