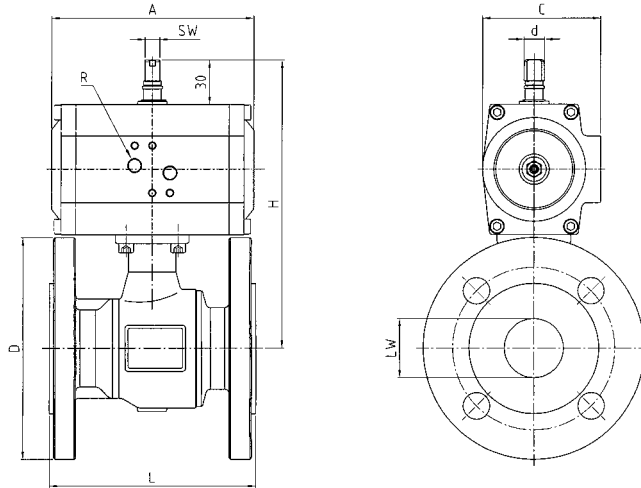


# GGG40

## FLANGED AUTOMATIC BALL VALVE (PNEUMATIC)

FLANGED BALL VALVES IN SPHEROIDAL GRAPHITE CAST IRON

**BV3 - FL P - DN25 - DN150**



### TECHNICAL DATA BALL VALVE

#### MATERIALS

- Body: spheroidal cast iron  
GGG40 (0.7040)
- Ball: type B grey cast iron  
(0.6025) hard chrome plated  
Ball material E + F on request  
(additional costs):
- type E stainless steel  
(1.4301) (hollow)
  - type F stainless steel  
(1.4408) (solid)
- Ball seal: PTFE + GF  
Stem seal: Viton

#### WORKING TEMPERATURE

-20°C to max. +180°C  
(depending on working pressure)  
Note: temperature range of the actuator!

#### SUITABLE FOR

Oils, compressed air, water, fuels

### REMARKS

- Ball valve DN 150 can only be installed or removed with ball in open position
- Type B = standard version

### TECHNICAL DATA ACTUATOR

#### MATERIALS

- Body: aluminium anodized  
Shaft: steel nickel plated  
Piston: aluminium  
Seals: perbunan

#### WORKING TEMPERATURE

-20°C to +95°C

#### OPERATING MEDIA

Filtered and oiled air according to Pneuop/ISO class 4  
Filtered air according to Pneuop/ISO class 4



DVGW approved ball valve according to KSN75 data sheet on request.

# GGG40

## FLANGED AUTOMATIC BALL VALVE (PNEUMATIC)

### SPECIAL FEATURES

- Direct mounting of magnetic valves per Namur is also possible (Brands: Airtec, Festo, Herion)

### REMARKS

- Suitable for industrial purposes
- The actuators are designed for air supply of 6 bar up to 10 bar
- For non-greasing mediums (e. g. water) or/and long non-working time it might be necessary to choose a bigger actuator size. In this case please contact our technical staff.

### DIMENSIONS [MM]

#### > MODE OF FUNCTION: GTD = DOUBLE ACTING

DN	PN (bar) Ball valve	L	D	H ~	A	C	a	d	SW 2-flat	R	Mounting flange DIN ISO 5211	Actuator GTD	Weight (kg)
25	16	125	115	164	130	68.5	24	14.0	10	G 1/8	F 05	58	4.100
32	16	130	140	175	130	68.5	24	14.0	10	G 1/8	F 05	58	5.600
40	16	140	150	195	137	80	24	14.0	10	G 1/8	F 05	68	7.150
50	16	150	165	214	161	82.5	24	14.0	10	G 1/8	F 05	78	9.700
65	16	170	185	233	180	99.5	24	14.0	10	G 1/8	F 07	88	14.500
80	16	180	200	273	222	120	24	19.5	14	G 1/4	F 07	110	20.700
100	16	190	220	290	222	120	24	19.5	14	G 1/4	F 10	110	27.800
125	16	200	250	309	294	120	24	28.0	20	G 1/4	F 10	115	31.600
150	16	210	285	386	350	172	24	28.0	20	G 1/4	F 10	143	45.920

#### > MODE OF FUNCTION: GTE = SINGLE ACTING

DN	PN (bar) Ball valve	L	D	H ~	A	C	a	d	SW 2-flat	R	Mounting flange DIN ISO 5211	Actuator GTE	Weight (kg)
25	16	125	115	164	130	68.5	24	14.0	10	G 1/8	F 05	58-8F	4.200
32	16	130	140	189	137	80	24	14.0	10	G 1/8	F 05	68-8F	6.320
40	16	140	150	207	161	92.5	24	14.0	10	G 1/8	F 05	78-8F	8.150
50	16	150	165	222	180	99.5	24	14.0	10	G 1/8	F 05	88-8F	10.550
65	16	170	185	242	209	110.5	24	19.5	14	G 1/8	F 07	98-8F	16.000
80	16	180	200	273	222	120	24	19.5	14	G 1/4	F 07	110-8F	21.700
100	16	190	220	290	294	120	24	28.0	20	G 1/4	F 10	115-8F	30.950
125	16	200	250	329	300	137	24	28.0	20	G 1/4	F 10	127-8F	35.200
150	16	210	285	386	350	172	24	28.0	20	G 1/4	F 10	143-8F	49.280