

# BRASS

## TWO-PIECE, FULL PORT, FOR GAS, DVGW (HEAVY DESIGN)

**BV1 - 2 F H D - 1/4" - 2" BSP - T1-2**



Certification-gas acc. to DIN 3537  
DIN DVGW NG-4312BM0284  
CE 0085AQ1219

### FEATURES

- Full port design
- Female thread acc. to ISO 7-1
- Length of complete valve acc. to DIN 3202-M3
- Free of silicone
- Blow out proof stem design with double O-ring sealing
- T-handle up to size 1" (DN 25)
- Standard handle for all types

### MATERIALS

Body: brass nickel plated  
Ball: brass chrome plated  
Ball seal: PTFE  
Stem seal: 2 Viton O-rings  
Handle: steel zinc coated  
with yellow plastic cover

### TYPES

Type 1



Standard handle

Type 2



T-handle

### WORKING TEMPERATURE

Generally -20 °C to + 170 °C  
gas -20 °C to + 60 °C  
(depending on working pressure)

### SUITABLE FOR

Oils, compressed air, water, fuels, gas\*  
\* for gas only MOP 5

### PRESSURE EQUIPMENT DIRECTIVE:

Registered acc. to PED ( 97/23/EC )  
up to max. cat. 3 ( B+D )

### OPTIONAL ACCESSORIES

Lockable handle

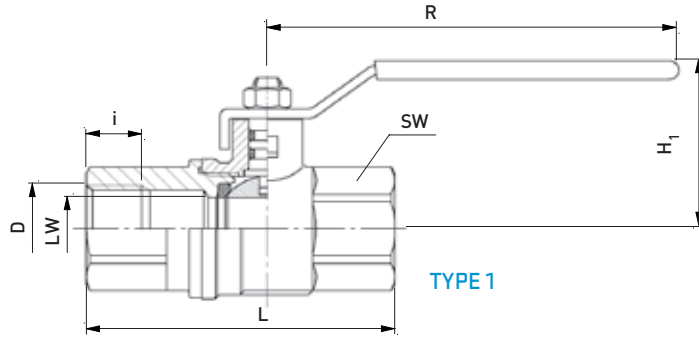


Stem extension

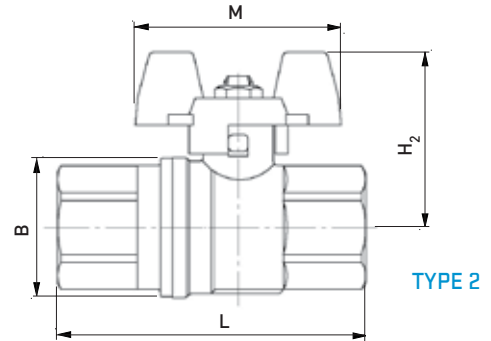


# BRASS

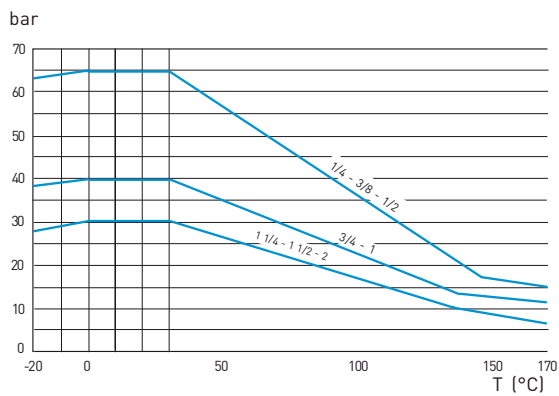
## TWO-PIECE, FULL PORT, FOR GAS, DVGW (HEAVY DESIGN)



i = length of thread



### PRESSURE TEMPERATURE DIAGRAM



### DIMENSIONS (MM)

DN	LW	PN bar	D1 ISO 7-1	L ±2	i	B	H1	H2	R	M	SW	Weight (kg)
6	8	65	Rp 1/4	50	12	28	40	40	82	50	22	0.200
10	10	65	Rp 3/8	60	12	28	40	40	82	50	22	0.200
15	15	65	Rp 1/2	75	15	34	43	42.5	100	50	27	0.310
20	20	40	Rp 3/4	80	17	44	51.5	50.5	120	60	32	0.470
25	25	40	Rp 1	90	19.5	53	55.5	54.5	120	60	41	0.740
32	32	30	Rp 1 1/4	110	22.5	65	75	-	158	-	50	1.150
40	40	30	Rp 1 1/2	120	24.5	80	81	-	158	-	55	1.550
50	50	30	Rp 2	140	24.5	96	88.5	-	158	-	70	2.500