

STAINLESS STEEL MULTI-PORT, HIGH PERFORMANCE, THREE-WAY

MANUAL OR ACTUATED
3/8" TO 1 1/2" (DN10-DN40)

BV2 – F/R MP HIP (A) – 3/8" - 1 1/2"

FEATURES

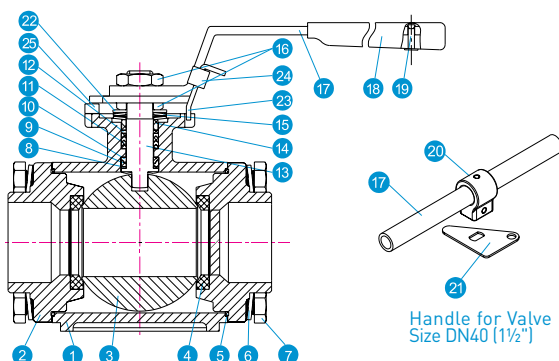
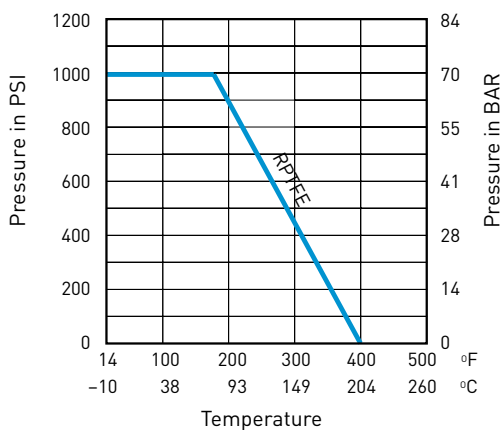
- Four ball seats
- Simplicity in replacing valve seats and packing
- Investment casting for body and end cap
- Optional LL port for 4-way
- Patented "Sealmaster" stem arrangement
- Double stem sealing complies with TA-LUFT requirements
- Blow-out proof stem
- ISO 5211 mounting plate
- Anti-static design
- Optional ball & body patterns for various flow paths
- Weld in place for socket or butt weld end
- Size range DN10 (3/8") to DN40 (1 1/2")
 - Full and reduced bore
- Valve pressure rating:
 - ANSI Class 150/300
 - DIN PN 10/16/25/40
 - JIS 10K
- End connections screwed, butt weld, socket weld and flanged
- Flanged connection in full bore only



MATERIAL LIST

NO.	PART NAME	MATERIAL	Q'TY
1	Body	CF8M/WCB, 1.4408/1.0619	1
2	Cap	CF8M/WCB, 1.4408/1.0619	4
3	Ball	ASTM A351 Gr. CF8M	1
4	Ball seat	RPTFE	4
5	Body gasket	PTFE	4
6	Bolt washer	304SS	16
7	Bolt	A2-70	16
8	Lower thrust washer	50% S.S Powder/ 50% PTFE	1
9	Compress ring	316SS	1
10	Upper thrust washer	TFM1600	1
11	V-ring stem packing	PTFE	1 Set
12	Thrust washer	50% S.S Powder/ 50% PTFE	1
13	Anti-static stem	A276 Type 316	1
14	Gland	304SS	1
15	Belleville washer	301SS	2
16	Stem nut	304SS	1-2
17	Handle	CF8 (1/2" to 1 1/4")/SGP Zn Plating (1 1/2")	1
18	Handle sleeve	Vinyl	1
19	Rivet	304SS	2
20	Stem adapter	304SS	1
21	Triangle stopper	304SS	1
22	Lock saddle	304SS	1
23	Locking trigger	304SS	1
24	Fix plate	304SS	1
25	Block cover	CF8M/WCB, 1.4408/1.0619	1

PRESSURE/TEMPERATURE CHART

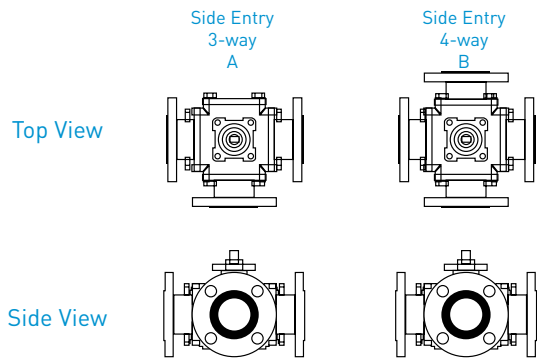


3/8" to 1 1/4" For standard handle
1 1/2" T-handle

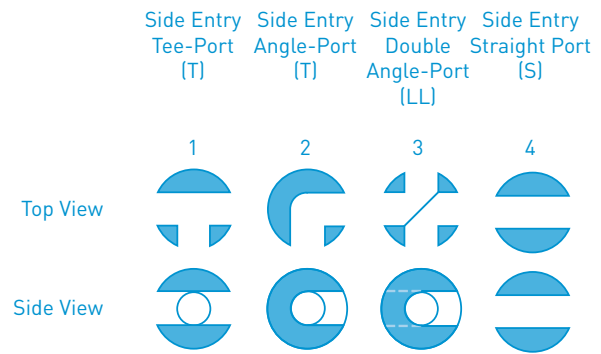
STAINLESS STEEL

MULTI-PORT, HIGH PERFORMANCE, THREE-WAY

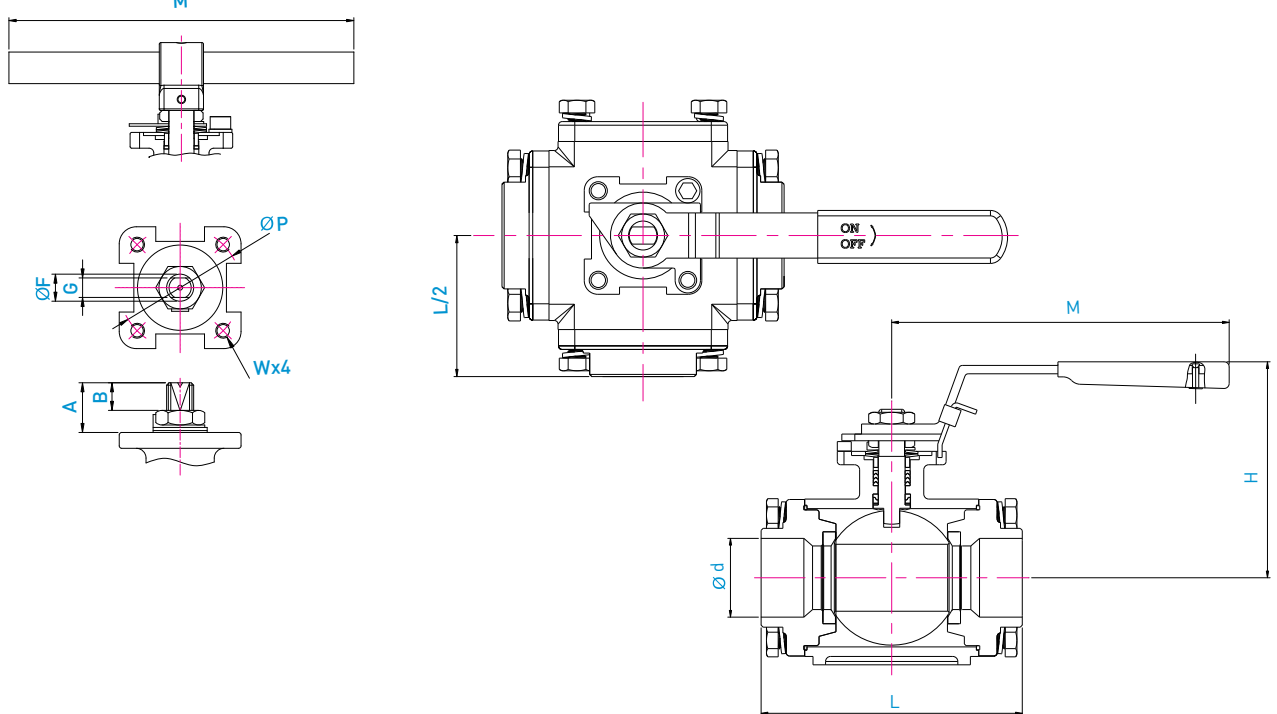
BODY PORT CONFIGURATION



BALL PORT CONFIGURATION



MULTI-PORT VALVE WITH THREADED END

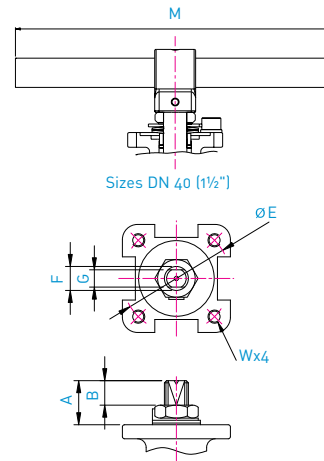
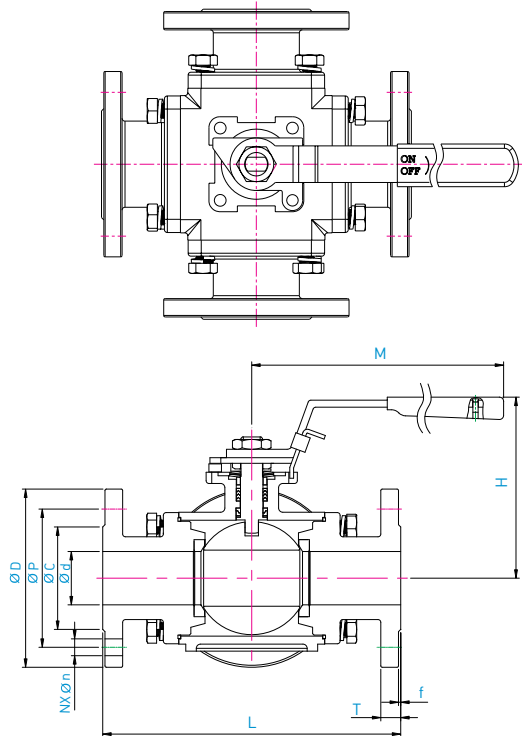


DIMENSIONS (MM)

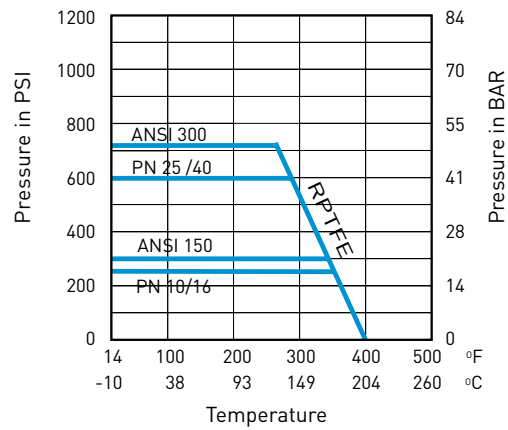
Size	DN		Ød	H	L	M	A	B	G	ØP	ØF	W	
	full bore	reduced bore											full bore
3/8"	1/2"	10	15	12.5	63.5	90.0	115	12.5	5.5	6.3	42	9.7	M5
1/2"	3/4"	15	20	15.5	82.0	107.0	130	19.0	11.4	6.3	42	9.7	M5
3/4"	1"	20	25	20.0	86.0	110.5	130	21.8	14.0	8.0	50	11.2	M6
1"	1 1/4"	25	32	25.0	98.0	126.5	165	21.8	14.3	8.0	50	11.2	M6
1 1/4"	1 1/2"	32	40	32.0	100.0	135.0	200	24.5	15.0	9.5	70	16.0	M8
1 1/2"	2"	40	50	38.0	127.0	154.0	395	24.5	15.0	9.5	70	16.0	M8

STAINLESS STEEL MULTI-PORT, HIGH PERFORMANCE, THREE-WAY

MULTI-PORT VALVE WITH FLANGED END



PRESSURE/TEMPERATURE CHART



DIMENSIONS (MM)

Size	DN	A	B	ØC			ØD				Ød	ØP	ØB				N	M	W
				150 300	10K 20K	PN 10/40	150	300	PN 10/40	10K 20K			150	300	PN 10/40	10K 20K			
½"	15	19.0	11.4	35	51	45	89	95	95	95	15.5	42	60.5	66.5	65	70	4	130	M5
¾"	20	21.8	14.0	43	56	58	98	117	105	100	20.0	50	70.0	82.5	75	75	4	130	M6
1"	25	21.8	14.3	51	67	68	108	124	115	125	25.0	50	79.5	89.0	85	90	4	165	M6
1½"	40	24.5	15.0	73	81	88	127	156	150	140	38.0	70	98.5	114.5	110	105	4	400	M8

Size	DN	F	G	H	L			T					f			Øn			
					150 10K	300 20K	PN 10/40	150	300	PN 10/40	10K	20K	150 300	10K 20K	PN 10/40	150	300	10K 20K	PN 10/40
½"	15	9.7	6.3	82	148.2	153.8	157.8	11.2	14.3	16	12	14	1.6	1	2	16	16	15	14
¾"	20	11.2	8.0	86	153.9	163.6	167.8	11.2	15.9	18	14	16	1.6	1	2	16	19	15	14
1"	25	11.2	8.0	98	168.4	181.0	182.0	11.2	17.5	18	14	16	1.6	1	2	16	19	19	14
1½"	40	16.0	9.5	127	212.4	223.4	218.0	14.2	20.7	18	16	18	1.6	2	3	16	22	19	18