

STAINLESS STEEL MULTI-PORT, THREE-WAY, THREADED END

[MANUAL OR ACTUATED]

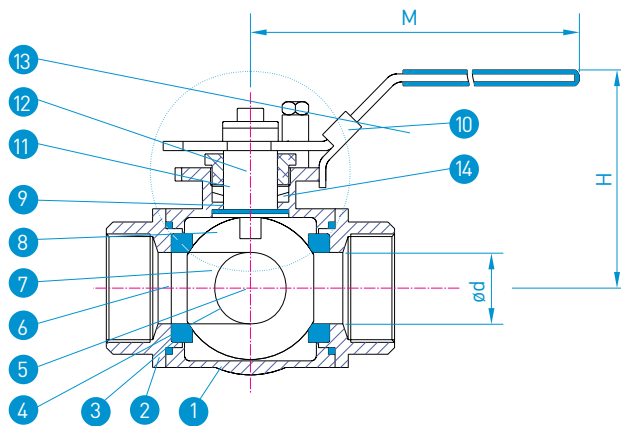
BV2 - R MP (A) - 1/4" - 3" BSP/NPT

FEATURES

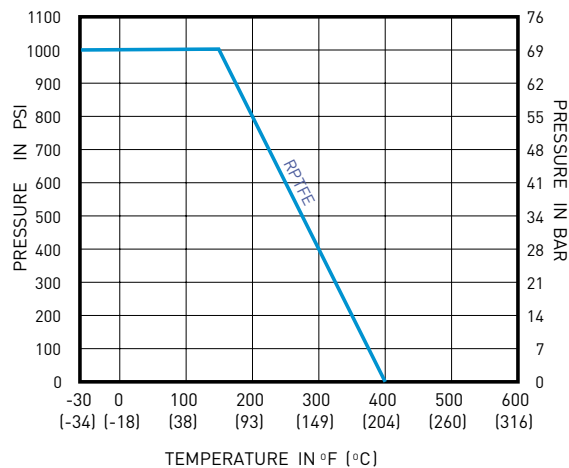
- Investment casting body & caps
- All stainless steel construction
- Variety of thread standards available
- L or T port options
- Built-in ISO 5211 mounting dimension
- Blow-out proof stem
- 4 Seats for rigid ball supporting
- Locking in every 90° increment

SPECIFICATION

- Reduced port
- Size available from 1/4" to 3"
- Pressure rating: 69 bar



PRESSURE VS. TEMPERATURE CHART

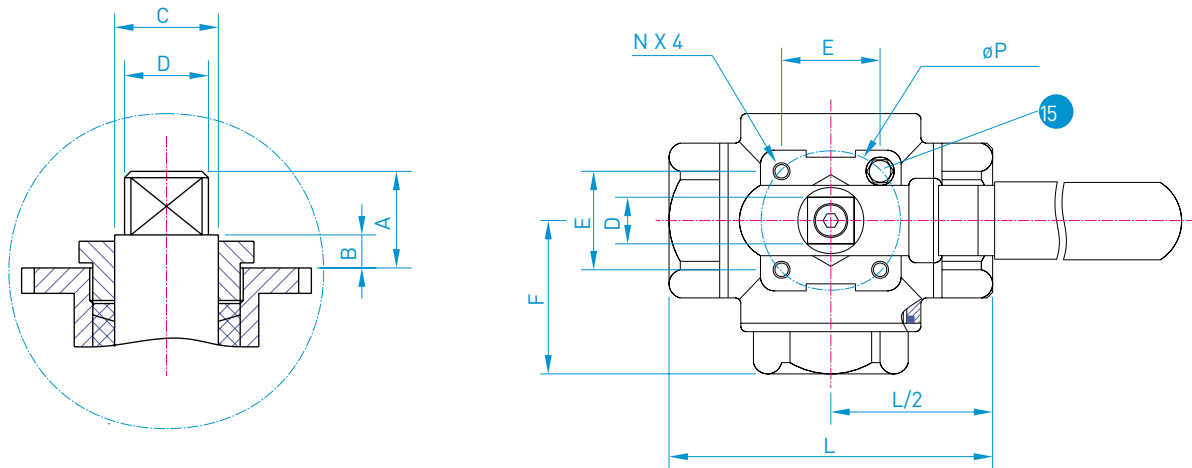


MATERIAL OF CONSTRUCTION

NO.	PART NAME	MATERIAL	Q'TY
1	Body	CF8M/1.4408	1
2	End cap	CF8M/1.4408	3
3	Ball seat	RPTFE	4
4	Ball	ASTM 351 Gr. CF8M	1
5	Stem	316SS	1
6	Joint gasket	PTFE	3
7	Thrust washer	PTFE	1
8	Gland	304SS	1
9	Handle	304SS	1
10	Locating lock	304SS	1
11	Washer	304SS	1
12	Handle nut	304SS	1
13	Handle sleeve	VINYL	1
14	Stem packing	PTFE	1 Set
15	Set screw	304SS	1

STAINLESS STEEL

MULTI-PORT, THREE-WAY, THREADED END (MANUAL OR ACTUATED)



DIMENSIONS (MM)

SIZE	Ød±0.2	L±0.8	H±1.0	M±1.0	A	B	C	D	E	F	ØP	N
1/4"	11.0	69	60.7	133.4	10.7	5.7	12.0	9	29.7	34.60	42	M5*0.8
3/8"	11.0	69	60.7	133.4	10.7	5.7	12.0	9	29.7	34.60	42	M5*0.8
1/2"	12.5	75	64.1	133.4	10.7	5.8	12.0	9	29.7	37.25	42	M5*0.8
3/4"	16.0	86	82.4	178.5	13.9	6.9	15.0	11	35.4	44.70	50	M6*0.1
1"	20.0	101	86.1	178.5	20.0	8.5	15.0	11	35.4	51.40	50	M6*0.1
1 1/4"	25.0	115	91.4	209.9	23.8	7.8	15.0	11	35.4	57.70	50	M6*0.1
1 1/2"	32.0	125	102.7	208.0	25.8	10.2	15.0	11	49.5	62.70	70	M8*1.25
2"	38.1	149	110.7	229.9	25.3	9.7	18.5	14	49.5	74.60	70	M8*1.25
2 1/2"	50.0	160	132.0	265.0	24.5	8.5	18.5	14	49.5	80.00	70	M8*1.25
3"	65.0	185	132.0	265.0	29.0	9.0	21.0	17	72.1	92.50	102	M10*1.50

FLOW PATTERNS FOR 3 WAY VALVES

