

STAINLESS STEEL MULTI-PORT, THREE-WAY, THREADED END

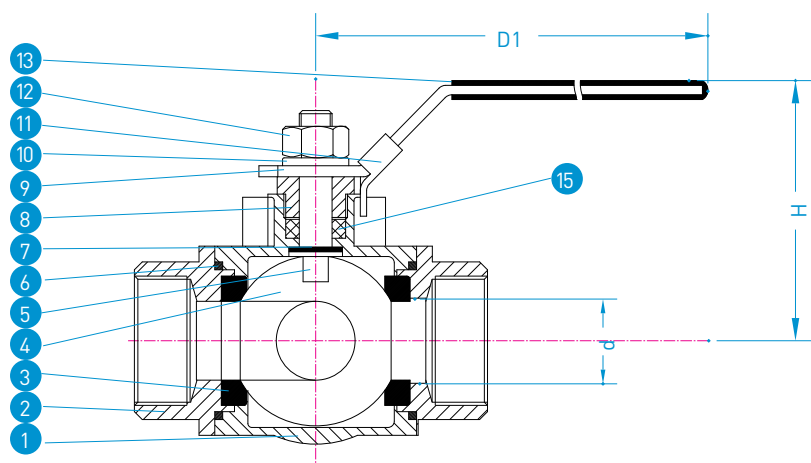
BV2 - R MP - 1/4" - 2" BSP/NPT

FEATURES

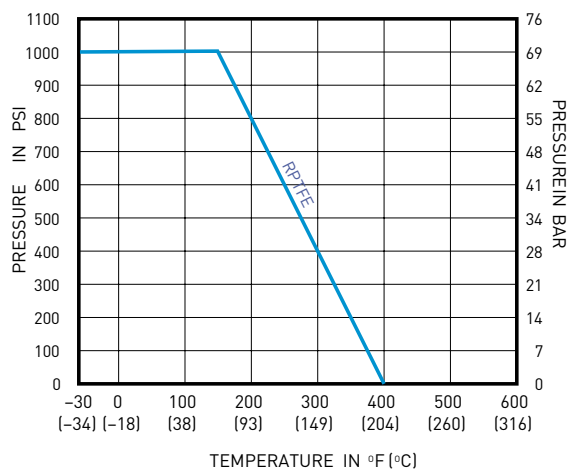
- Investment casting body & caps
- All stainless steel construction
- Variety of thread standards available
- L or T port options
- Blow-out proof stem
- 4 Seats for rigid ball supporting

SPECIFICATION

- Reduced port
- Size available from 1/4" to 2"
- Pressure rating: 69 bar



PRESSURE VS. TEMPERATURE CHART

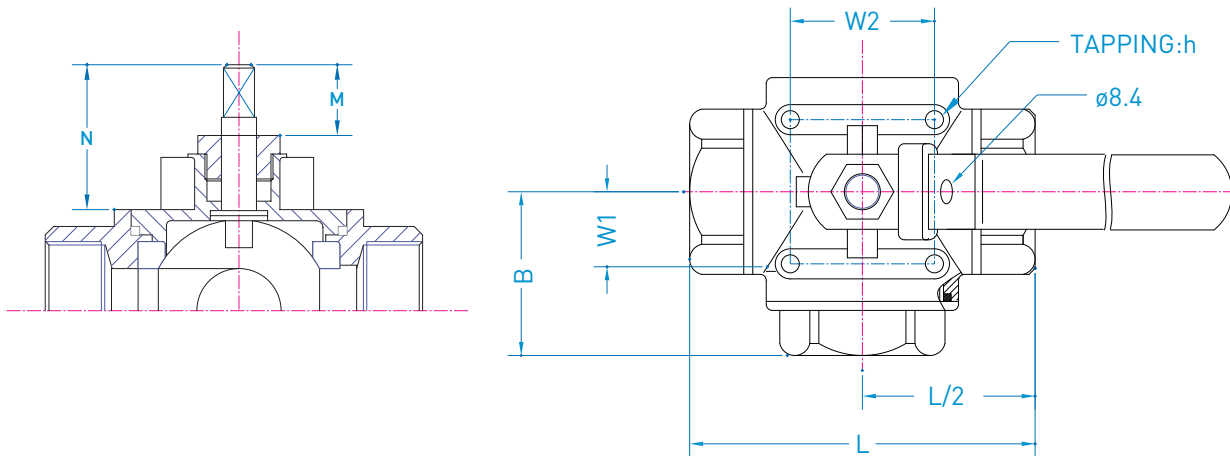


MATERIAL OF CONSTRUCTION

NO.	PART NAME	MATERIAL	Q'TY
1	Body	CF8M/1.4408	1
2	Cap	CF8M/1.4408	3
3	Seat	RPTFE	4
4	Ball	316SS	1
5	Stem	316SS	1
6	Joint gasket	PTFE	3
7	Thrust washer	PTFE	1
8	Gland	316SS	1
9	Handle	304SS	1
10	Handle washer	304SS	1
11	Locking plate	304SS	1
12	Handle nut	304SS	1
13	Handle sleeve	VINYL	1
15	Stem packing	PTFE	1 Set

STAINLESS STEEL

MULTI-PORT, THREE-WAY, THREADED END



DIMENSIONS (MM)

SIZE	D	L	H	D1	B	W1	W2	h	M	N
¼"	11.0	69.4	61.0	106	35	13	28.50	10-24 UNC	13.0	24.0
⅜"	11.0	69.4	61.0	106	35	13	28.50	10-24 UNC	13.0	24.0
½"	12.7	76.0	65.5	138	37	13	28.50	10-24 UNC	20.0	30.0
¾"	16.0	86.6	71.0	138	45	21	34.60	10-24 UNC	19.5	31.0
1"	20.0	102.0	76.0	157	51	21	34.60	10-24 UNC	23.0	40.0
1¼"	25.0	118.0	81.5	157	58	24	38.00	¼-20 UNC	23.0	41.5
1½"	32.0	126.0	102.0	222	63	24	38.00	¼-20 UNC	26.0	50.5
2"	38.1	149.0	112.0	222	77	24	38.00	¼-20 UNC	26.0	55.5

FLOW PATTERNS FOR THREE-WAY VALVES

