

STAINLESS STEEL TWO-PIECE, FULL PORT

(WITH MOUNTING LOCATION)

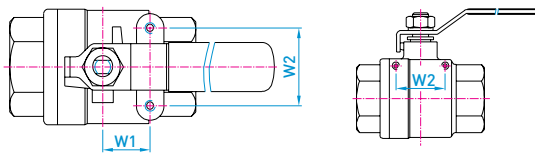
BV2 - 2 F - 1/4" - 3" BSP/NPT

FEATURES

- Full port for max Cv
- Adjustable stem packing
- Investment casting body & cap
- Blow-out proof stem
- Full sizes range 1/4"-3"
- Size Available from 1/4" to 3" (64 bar)

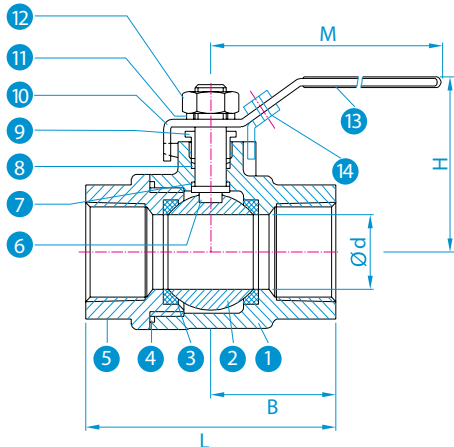


TOP & SIDE VIEWS



Top view
mounting location
for 1/4"-2"

Side view
mounting location
for 2 1/2"-3"



MATERIAL LIST

NO.	PART NAME	MATERIAL	Q'TY
1	Body	CF8M/1.4408	1
2	Ball	316SS	1
3	Seat	PTFE	2
4	Body seal	PTFE	1
5	Cap	CF8M/1.4408	1
6	Stem	316SS	1
7	Thrust washer	PTFE	1
8	Stem packing	PTFE	1
9	Gland nut	304SS	1
10	Handle	304SS	1
11	Stem washer	304SS	1
12	Stem nut	304SS	1
13	Handle sleeve	VINYL	1
14*	Locking device	304SS	1

* Optional

DIMENSIONS (MM)

SIZE	Ød	B	L	H	M	W1	W2	W (kg)	W (kg) locking device
1/4"	11.4	27.5	55	50	103	12.7	28.0	0.25	0.26
3/8"	12.5	27.5	55	50	103	12.7	28.0	0.25	0.26
1/2"	15.0	32.5	65	56	133	12.7	28.0	0.39	0.41
3/4"	20.0	37.0	75	59	133	22.4	35.0	0.53	0.54
1"	25.0	44.0	88	69	153	22.4	35.0	0.86	0.90
1 1/4"	32.0	51.0	101	75	153	25.4	38.1	1.32	1.34
1 1/2"	38.0	55.0	110	83	191	25.4	38.1	1.89	1.94
2"	50.0	62.5	124	92	191	25.4	38.1	2.98	3.00
2 1/2"	65.0	81.5	160	128	247	35.1	55.0	6.28	6.70
3"	80.0	89.0	175	137	247	35.1	55.0	8.90	9.00