

# STAINLESS STEEL TWO-PIECE, FULL PORT

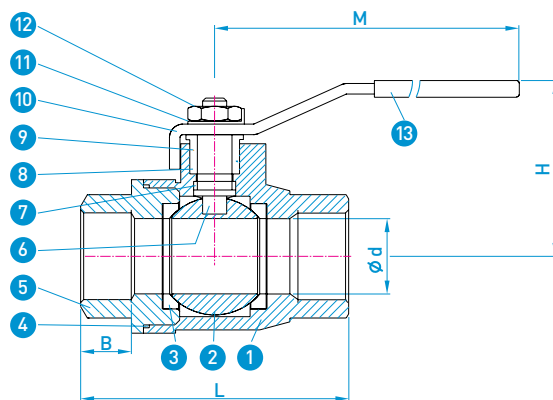
**BV2 - 2 F - 1/4" - 2" BSP/NPT**

## FEATURES

- Face to face according to DIN 3202-M3
- Heavy duty construction
- 100% Bubble tight testing per BS5351
- Silicone free guaranteed
- Double stem sealing (option)
- Belleville washers for self-adjust (option)
- Size available from 1/4" to 2" (64 bar)



## SIDE VIEW



## MATERIAL LIST

NO.	PART NAME	MATERIAL	Q'TY
1	Body	CF8M/1.4408	1
2	Ball	ASTM A351 Gr CF8M	1
3	Seat	PTFE	2
4	Body seal	PTFE	1
5	Cap	CF8M/1.4408	1
6	Stem	316SS	1
7	Thrust washer	PTFE	1
8	Stem packing	PTFE	1
9	Gland nut	304SS	1
10	Handle	304SS	1
11	Stem washer	304SS	1
12	Stem nut	304SS	1
13	Handle sleeve	VINYL	1
14	Locking device	304SS	1

## DIMENSIONS (MM)

SIZE	Ød	B	L	H	M	W (kg)
1/4"	11.2	10.0	50	52	108	0.24
3/8"	11.2	10.0	60	54	108	0.28
1/2"	15.0	13.0	75	62	136	0.44
3/4"	20.0	16.0	80	65	150	0.56
1"	25.0	17.0	90	80	168	0.88
1 1/4"	32.0	20.0	110	85	168	1.44
1 1/2"	40.0	22.0	120	95	195	1.93
2"	50.0	25.0	140	110	195	3.36