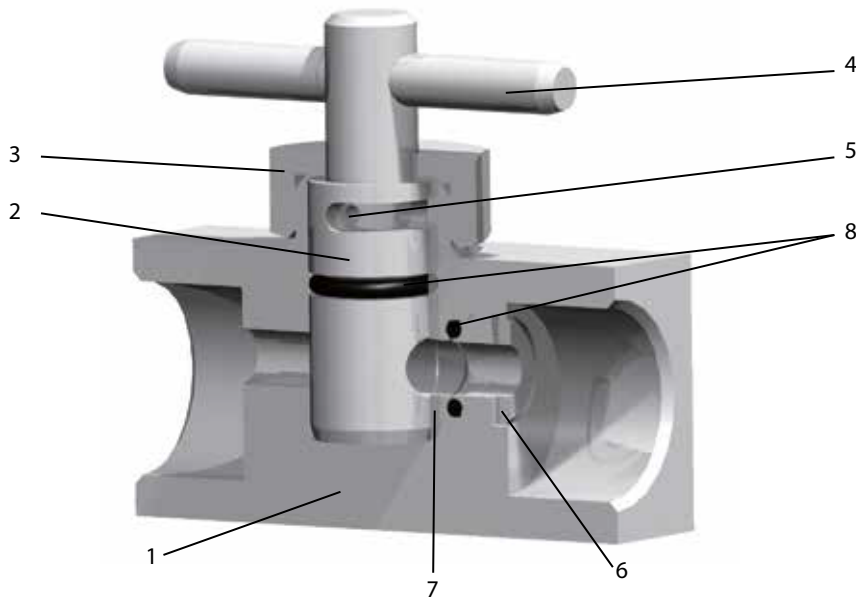


NOTICE: THE PVDF STOPCOCK, SO PV 21B21 & 21B00, IS SCHEDULED FOR DISCONTINUATION. PLEASE CONTACT OUR SALES ENGINEERS FOR MORE INFORMATION.



No.	Description	Material	No.	Description	Material	No.	Description	Material
1	PVDF valve body	PVDF	4	Lever	PVDF	7	Sealing bush	PTFE
2	Valve spindle	PVDF	5	Stop	PVDF	8	Seal	FKM
3	Valve cap	PVDF	6	Adjusting screw	PVDF			

Specifications

Working pressure (PN): 10 bar

Temperature: -20°C to +100°C

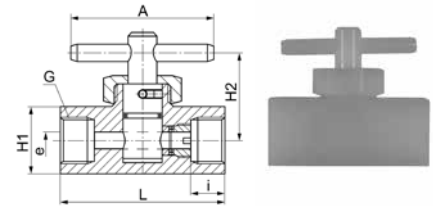
Safety factor: s e m i t 5 . 1

Characteristics

- Function: stopcock
- Uses: medical, clean room and laboratories, for aggressive media (see Chemical Resistance List PVDF, PTFE, FKM)
- Special: adjustable sealing when sign of wear is showing

Stopcock with female thread

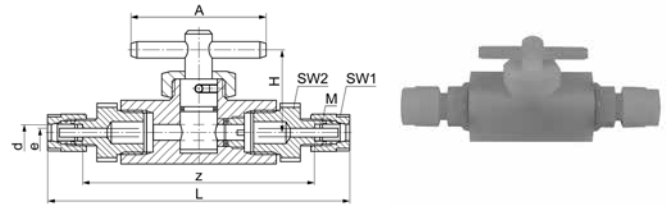
SO PV 21B00



Type -G	Mat.-Nr.	bar	L	A	H1	H2	i	e	kv	kg/100
G=Rohrgewinde (zylindrisch)	G=Filetage-gaz BSP (cylindrique)		G=BSP thread (parallel)							
SO PV 21B00-3/8	148.8000.060	10	58.0	50.0	24.0	31.0	12.0	6.0	18.6	6.200
SO PV 21B00-1/2	148.8000.080	10	62.0	50.0	30.0	31.0	14.0	6.0	18.6	9.600

Stopcock

SO PV 21B21



Type -d	Mat.-Nr.	bar	M	SW1	SW2	L	A	H	z	e	kg/100
SO PV 21B21-4	148.8010.040	10	10x1	12	17	110.0	50.0	31.0	88.0	3.1	8.000
SO PV 21B21-6	148.8010.060	10	10x1	12	17	110.0	50.0	31.0	88.0	2.8	8.000
SO PV 21B21-8	148.8010.080	10	12x1	14	17	113.0	50.0	31.0	89.0	4.8	8.210
SO PV 21B21-10	148.8010.100	10	14x1	17	17	116.0	50.0	31.0	88.0	6.0	8.640
SO PV 21B21-12	148.8010.120	10	16x1	19	17	124.0	50.0	31.0	91.0	6.0	12.920

NOTICE: THE PVDF STOPCOCK, SO PV 21B21 & 21B00, IS SCHEDULED FOR DISCONTINUATION.
PLEASE CONTACT OUR SALES ENGINEERS FOR MORE INFORMATION.

d=tube outside diameter
e=minimum bore
kv=flow factor (l/min)
L=installed length