

TEESING

SERIES 200KL
COUPLING SYSTEM
FOR BLOCK AND PLATE ASSEMBLY



TEESING

TEL +31 70 413 07 50 | WWW.TEESING.COM



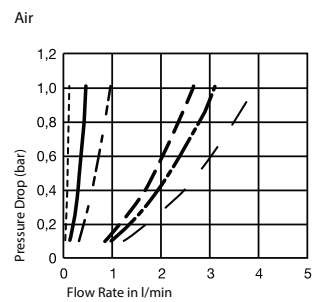
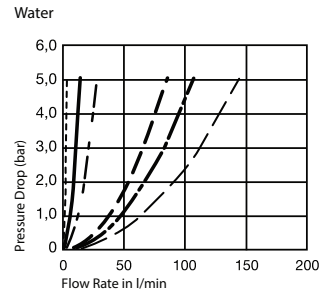
Working Pressure **
15 bar
** maximum static working pressure with safety factor of 4 to 1.

Material
Coupling: AISI 316 L
Plug: AISI 316 L
Seals: FKM
Springs: AISI 316 Ti

Interchangeability
• Rectus Design

Working Temperature*
-15°C up to +200°C (FKM)
depending on the medium.

* At a temperature below -15°C and above +200°C and due to the medium special seals are available on request (EPDM, FFKM).

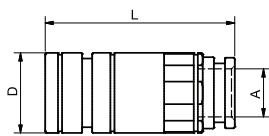


----- 203KL - - - - - 209KL
 _____ 204KL - - - - - 212KL
 - - - - - 206KL - - - - - 219KL

Couplings – with valve

Series 200KL

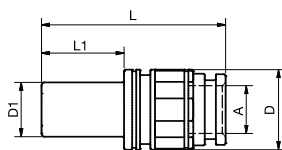
| Series | Connection A | L mm | L1 mm | D mm | D1 mm | Part Number |
|--------|--------------|-------|-------|-------|-------|----------------|
| 203 | G 1/16 | 5,30 | | 11,00 | | 203KLIW08EVXEK |
| 204 | G 1/8 | 8,40 | | 16,00 | | 204KLIW10EVXEK |
| 206 | G 1/4 | 12,50 | | 29,00 | | 206KLIW13EVXEK |
| 209 | G 3/8 | 17,00 | | 25,00 | | 209KLIW17EVXEK |
| 212 | G 1/2 | 20,00 | | 32,00 | | 212KLIW21EVXEK |
| 219 | G 3/4 | 30,00 | | 44,00 | | 219KLIW26EVXEK |



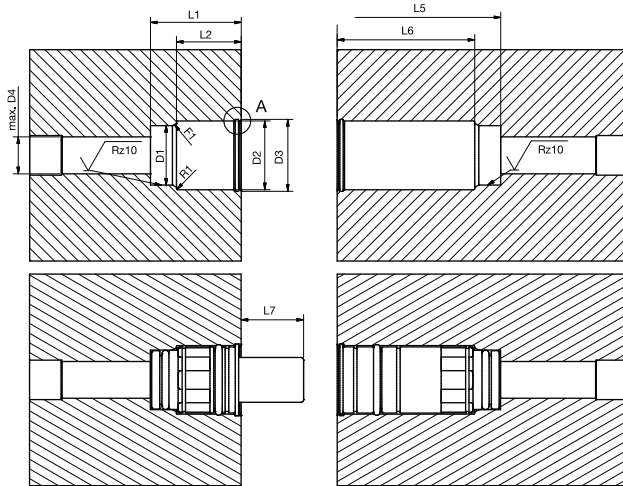
Plugs – with valve

Series 200KL

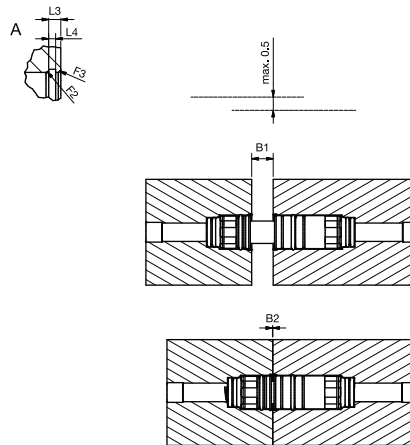
| Series | Connection A | L mm | L1 mm | D mm | D1 mm | Part Number |
|--------|--------------|-------|-------|-------|-------|----------------|
| 203 | G 1/16 | 28,75 | 10,75 | 11,00 | 5,30 | 203SLIW08EVXEK |
| 204 | G 1/8 | 42,00 | 15,00 | 16,00 | 8,40 | 204SLIW10EVXEK |
| 206 | G 1/4 | 51,15 | 19,00 | 21,00 | 12,50 | 206SLIW13EVXEK |
| 209 | G 3/8 | 57,40 | 25,80 | 25,00 | 17,00 | 209SLIW17EVXEK |
| 212 | G 1/2 | 69,70 | 28,00 | 30,00 | 20,00 | 212SLIW21EVXEK |
| 219 | G 3/4 | 82,40 | 32,45 | 41,00 | 30,00 | 219SLIW26EVXEK |



Block Assembly



Misalignment for block assembly



Block Assembly

| Series | L1 mm | L2 mm | L3 mm | L4 mm | L5 mm | L6 mm | L7 mm | D1 mm | D2 mm | D3 mm | D4 max. mm | R1 max. mm | F1 | F2 | F3 | B1 | B2 |
|--------|----------|----------|----------|----------|----------|----------|----------|----------|----------|----------|---------------|---------------|---------|---------|---------|-------|-----------------|
| 203 | 20,00 | 15,00 | 2,10 | 1,10 | 23,50 | 18,50 | 8,75 | 10,00 | 12,00 | 12,50 | 8,00 | 0,50 | 0,8x30° | - | 0,5x45° | 5,00 | 0 ⁺² |
| 204 | 29,00 | 22,50 | 2,10 | 1,10 | 37,85 | 31,35 | 13,00 | 14,00 | 17,00 | 17,80 | 8,00 | 0,50 | 1,2x30° | 0,5x30° | 0,5x45° | 8,65 | 0 ⁺² |
| 206 | 34,15 | 26,65 | 2,10 | 1,10 | 55,70 | 48,20 | 17,00 | 18,50 | 22,00 | 23,00 | 10,00 | 0,50 | 1,3x30° | 0,5x30° | 0,5x45° | 11,40 | 0 ⁺² |
| 209 | 33,80 | 24,30 | 2,30 | 1,30 | 61,30 | 51,80 | 23,60 | 22,50 | 26,00 | 27,20 | 14,00 | 0,50 | 1,5x30° | 0,5x30° | 0,5x45° | 16,30 | 0 ⁺² |
| 212 | 43,90 | 34,40 | 2,30 | 1,30 | 73,10 | 63,60 | 25,80 | 28,00 | 31,00 | 32,70 | 16,00 | 0,50 | 1,5x30° | 0,8x30° | 0,5x45° | 15,80 | 0 ⁺² |
| 219 | 53,00 | 41,50 | 3,15 | 1,85 | 80,10 | 67,60 | 29,40 | 33,00 | 42,00 | 44,50 | 23,00 | 1,50 | 1,5x30° | 1,0x30° | 0,8x45° | 20,30 | 0 ⁺² |

Plate Assembly

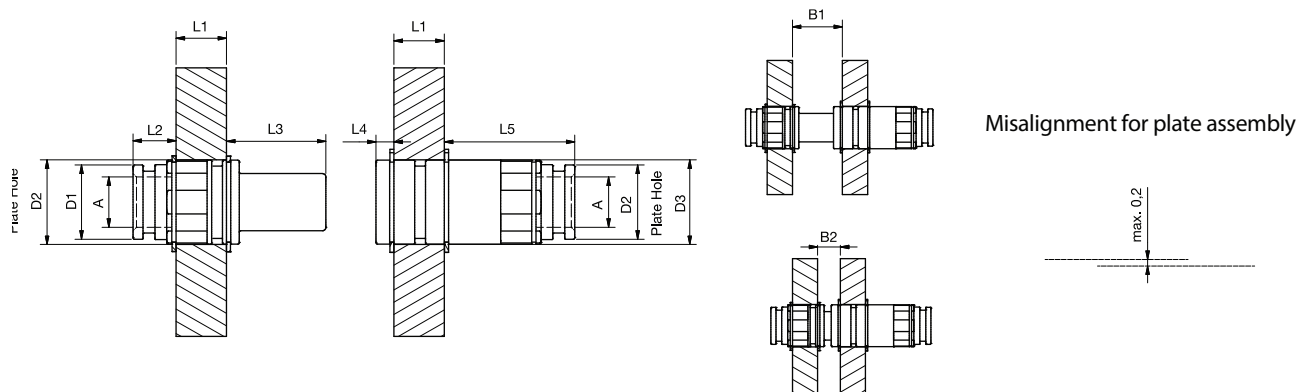


Plate Assembly

| Series | L1 mm | L2 mm | L3 mm | L4 mm | L5 mm | L6 mm | L7 mm | D1 mm | D2 mm | D3 mm | Connecton A | F1 | F2 | F3 | B1 | B2 |
|--------|----------|----------|----------|----------|----------|----------|----------|----------|----------|----------|----------------|----|----|----|-------|--------------------|
| 203 | 3,00 | | 12,75 | 5,50 | 1,00 | | | 9,80 | 11,2 | 11,2 | G 1/16 | | | | 18,50 | 13,5 ⁺² |
| 204 | 13,20 | 8,00 | 17,20 | 5,50 | 15,35 | | | 13,80 | 16,2 | 16,2 | G 1/8 | | | | 22,00 | 13,5 ⁺² |
| 206 | 15,00 | 13,15 | 23,00 | 5,50 | 33,20 | | | 18,30 | 21,2 | 21,2 | G 1/4 | | | | 24,80 | 13,5 ⁺² |
| 209 | 15,00 | 12,80 | 29,60 | 5,30 | 38,80 | | | 22,30 | 25,2 | 25,2 | G 3/8 | | | | 29,80 | 13,5 ⁺² |
| 212 | 15,00 | 22,90 | 31,80 | 5,30 | 50,60 | | | 27,80 | 30,2 | 32,2 | G 1/2 | | | | 29,30 | 13,5 ⁺² |
| 219 | 15,00 | 32,00 | 35,40 | 4,40 | 57,60 | | | 32,80 | 41,2 | 44,2 | G 3/4 | | | | 33,80 | 13,5 ⁺² |