

# SERIES S 20 FM | FLOW METER REGULATOR

**TEESING**
[WWW.TEESING.COM](http://WWW.TEESING.COM)

- Bellow single stage
- Purity up to 6.0
- Inlet pressure:  
50 bar (725 psi)
- Outlet pressure:  
3,5 bar fixed (50 psi)
- Rear inlet

- ★ Precise pressure delivery
- ★ Compact design
- ★ 1 inlet / 1 outlet
- ★ Gas-dedicated flow meter
- ★ O<sub>2</sub> application compatible (see technical data)

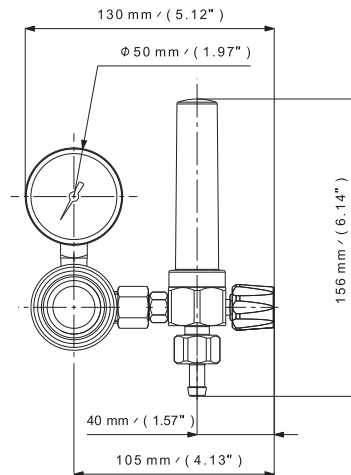
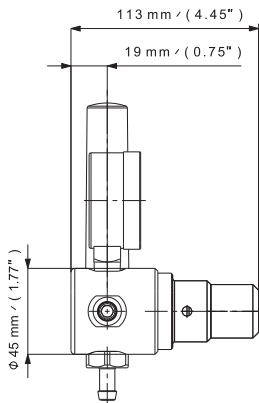
Special requirements on request

## APPLICATIONS

- Ideally suited for laboratory applications that require a very sensitive outlet flow adjustment with visual control of the flow.

## KEY FEATURES

- Based on the best-selling S 20 point of use.
- All flow meters have a preset outlet pressure at 3,5 bar.
- Equipped with one of two available versions of an adjustable flow meter: 0-5 lpm or 0-15 lpm.
- The flow meter is dedicated to a gas. Please indicate it when you order.
- Bellow technology provides a precise outlet pressure in a compact design.



## SPECIFICATIONS

<b>Female ports</b>	16 x 1.336 or G 3/8 or 1/4 NPT (inlet) Hose barb 8.5 mm (outlet)	<b>Weight</b>	± 1,5 kg ± 3.3 lbs	<b>Inlet pressure</b>	50 bar 725 psi
<b>Seat seal</b>	PCTFE	<b>Leak rate</b>	10 <sup>-8</sup> mbar ℓ/s He	<b>Outlet pressure</b>	3,5 bar fixed 50 psi
<b>O-ring</b>	EPDM	<b>Temperature range</b>	-20°C to + 60°C -4°F to + 140°F	<b>Nominal Flow</b>	5 or 15 lpm (according to gas)
<b>Bellow</b>	Bronze	<b>Gauges</b>	High pressure (M10 x 1 or 1/4 NPT)	<b>Oxygen use</b>	inlet pressure ≤ 30 bar max. for brass and stainless steel

## PRODUCT CONFIGURATOR

Body Material		End Connections		Gas Type		Flow Scale	
S	L	20	FM	G	O <sub>2</sub>	15	
	Chrome plated brass			G 3/8 - Female	Nitrogen	N <sub>2</sub>	0 to 15 lpm
				G	Argon	Ar	15
				NPT 1/4 - Female	Helium	He	0 to 5 lpm
				16 x 1.336 - Female	Oxygen	O <sub>2</sub>	5

# SERIES S 225 FM | FLOW METER REGULATOR

**TEESING**

WWW.TEESING.COM

- Diaphragm single stage
- Purity up to 6.0
- Inlet pressure: 200 bar (2900 psi)
- Outlet pressure: 3,5 bar fixed (50 psi)
- Rear inlet

- ★ Precise pressure delivery
- ★ Compact design
- ★ 1 inlet / 1 outlet
- ★ Gas dedicated flow meter
- ★ O<sub>2</sub> application compatible (see technical data)

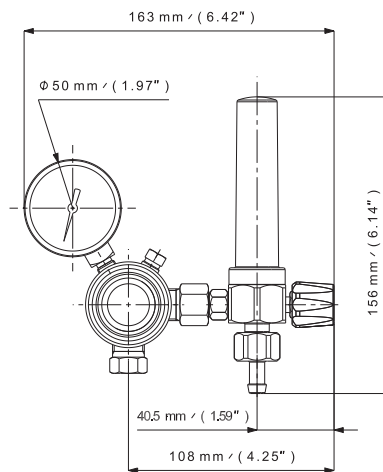
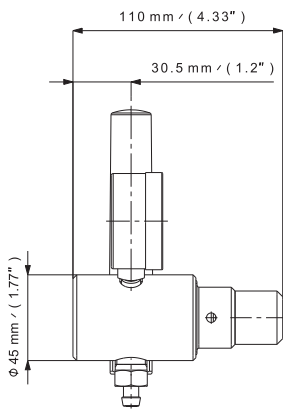
Special requirements on request

## APPLICATIONS

- Ideally suited for laboratory applications that require a very sensitive outlet flow adjustment with visual control of the flow.

## KEY FEATURES

- Based on the S 225.
- All flow meters have a preset outlet pressure at 3,5 bar.
- Equipped with one of two available adjustable flow meters: 0-5 lpm or 0-15 lpm.
- With our flow meters you have the advantage to have a very sensitive adjusted outlet flow.
- The flow meter is dedicated to a gas. Please indicate it when you order.



## SPECIFICATIONS

<b>Female ports</b>	16 x 1.336 or ¼ NPT (inlet) Hose barb 8,5mm (outlet)
<b>Seat seal</b>	PCTFE
<b>O-ring</b>	EPDM
<b>Diaphragm</b>	AISI 304

<b>Weight</b>	± 1,5 kg ± 3.3 lbs
<b>Leak rate</b>	10 <sup>-8</sup> mbar ℓ/s He
<b>Temperature range</b>	-20°C to + 60°C -4°F to + 140°F
<b>Gauges</b>	High pressure (M10 x 1 or ¼ NPT)

<b>Inlet pressure</b>	200 bar 2900 psi
<b>Outlet pressure</b>	3,5 bar fixed 50 psi
<b>Nominal Flow</b>	5 or 15 lpm (according to gas)
<b>Oxygen use</b>	OK

## PRODUCT CONFIGURATOR

Body Material		End Connections		Gas Type		Flow Scale			
S	L	225	FM	16	15				
	Chrome plated brass			16 x 1.336 Female	16	Nitrogen	N <sub>2</sub>	0 to 15 lpm	15
				NPT ¼ - Female	N	Argon	Ar	0 to 5 lpm	5
						Helium	He		
						Oxygen	O <sub>2</sub>		

# SERIES D 230 FM | FLOW METER REGULATOR

**TEESING**
[WWW.TEESING.COM](http://WWW.TEESING.COM)

- Piston / Bellow dual stage
- Purity up to 6.0
- Inlet pressure:  
200 bar (2900 psi)
- Outlet pressure:  
3,5 bar fixed (50 psi)
- Rear inlet

- ★ Precise pressure delivery
- ★ Compact design
- ★ 1 inlet / 1 outlet
- ★ Gas-dedicated flow meter
- ★ O<sub>2</sub> application compatible

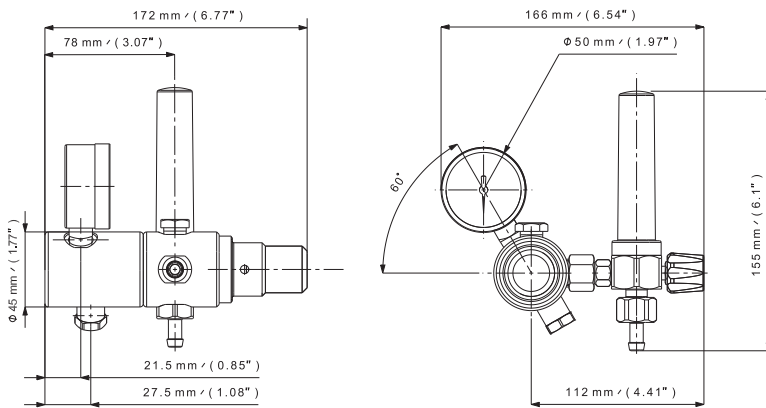
Special requirements on request

## APPLICATIONS

- Ideally suited for laboratory applications that require a very sensitive outlet flow adjustment with visual control of the flow.

## KEY FEATURES

- Based on the D 230.
- All flow meters have a preset outlet pressure at 3,5 bar.
- Equipped with one of two available adjustable flow meters: 0-5 lpm or 0-15 lpm.
- With our flow meters you have the advantage to have a very sensitive adjusted outlet flow.
- The flow meter is dedicated to a gas. Please indicate it when you order.



## SPECIFICATIONS

<b>Female ports</b>	16 x 1.336 or ¼ NPT (inlet) Hose barb 8,5 mm (outlet)
<b>Seat seal</b>	PTFE
<b>O-ring</b>	EPDM
<b>Piston</b>	Brass
<b>Bellow</b>	Bronze

<b>Weight</b>	± 1,5 kg ± 3.3 lbs
<b>Leak rate</b>	10 <sup>-8</sup> mbar ℓ/s He
<b>Temperature range</b>	-20°C to + 60°C -4°F to + 140°F
<b>Gauges</b>	High pressure M10 x 1 or ¼ NPT

<b>Inlet pressure</b>	200 bar 2900 psi
<b>Outlet pressure</b>	3,5 bar fixed 50 psi
<b>Nominal Flow</b>	5 or 15 lpm (according to gas)
<b>Oxygen use</b>	OK

## PRODUCT CONFIGURATOR

Body Material		End Connections		Gas Type		Flow Scale	
D	L	230	FM	16	O <sub>2</sub>	15	
	Chrome plated brass			16	Nitrogen N <sub>2</sub>	0 to 15 lpm	15
				N	Argon Ar	0 to 5 lpm	5
					Helium He		
					Oxygen O <sub>2</sub>		