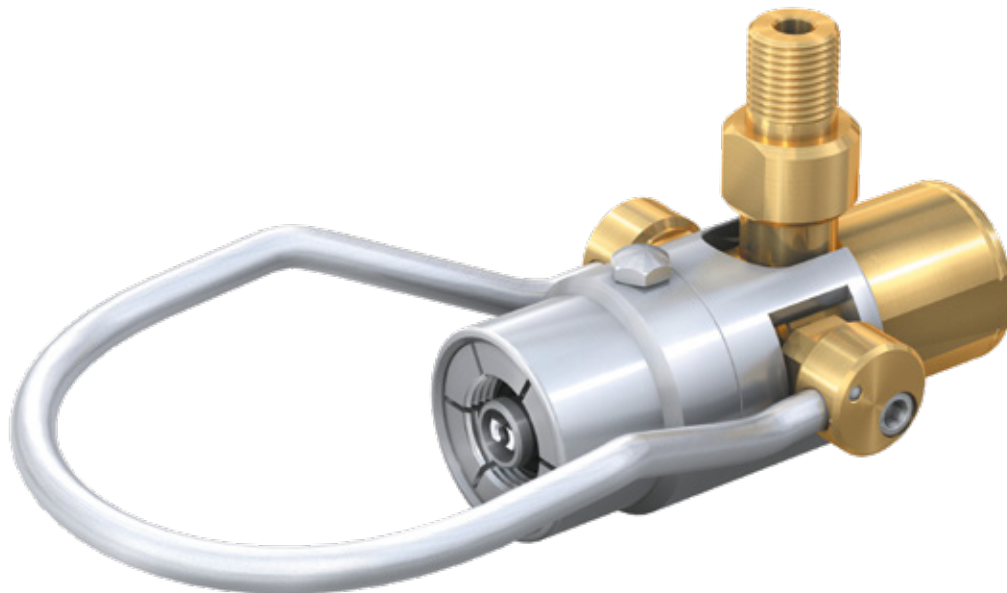


Type **TW920**

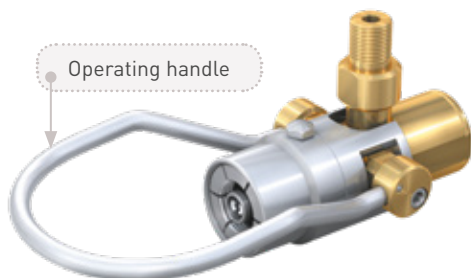
WEH[®] Connector for filling refrigerants

of cylinders with male thread and residual pressure valve



General

DESCRIPTION



Features

- For cylinder valves with male thread and residual pressure valve
- Connection in seconds
- No hand tightening required
- Simplifies the connecting and filling procedure
- Suitable for right or left handed operation
- Pin within the valve is actuated automatically
- RPV is not removed from the valve so it can be used again
- WEH® Jaw locking mechanism

The WEH® TW920 Quick Connector for filling refrigerants overcomes the need to remove the cylinder valve cartridge when filling. The innovative gripper mechanism pulls the valve cartridge pin forward whilst simultaneously providing virtually instant connection to the cylinder valve thread.

The TW920 is equipped with a operating handle.

WEH® TW920 with pneumatic linear valve

As an option the TW920 quick connector is available with an integrated pneumatic linear valve with a sliding sleeve valve for the pilot pressure port P1 and a venting port P2. In order to vent back the residual gas, a venting line can also be fitted.

Application

Quick connector for filling refrigerants of cylinders with male thread and residual pressure valve.

TECHNICAL DATA

Characteristics	Basic version
Operating pressure PS	Max. 580 psi
Pilot pressure	Max. 90 - 120 psi (for opening residual pressure valve)
Temperature range	+14 °F up to +176 °F
Connection A	W21.8x1/14" for cylinder valve with pin
Medium	Refrigerants (please indicate when ordering)
Actuation	Manual actuation via operating handle (handle depending on type of cylinder valve)
Material	Brass, corrosion-resistant stainless steel; protection sleeve (linear valve) in POM
Sealing material	Dependant on medium

Other designs on request

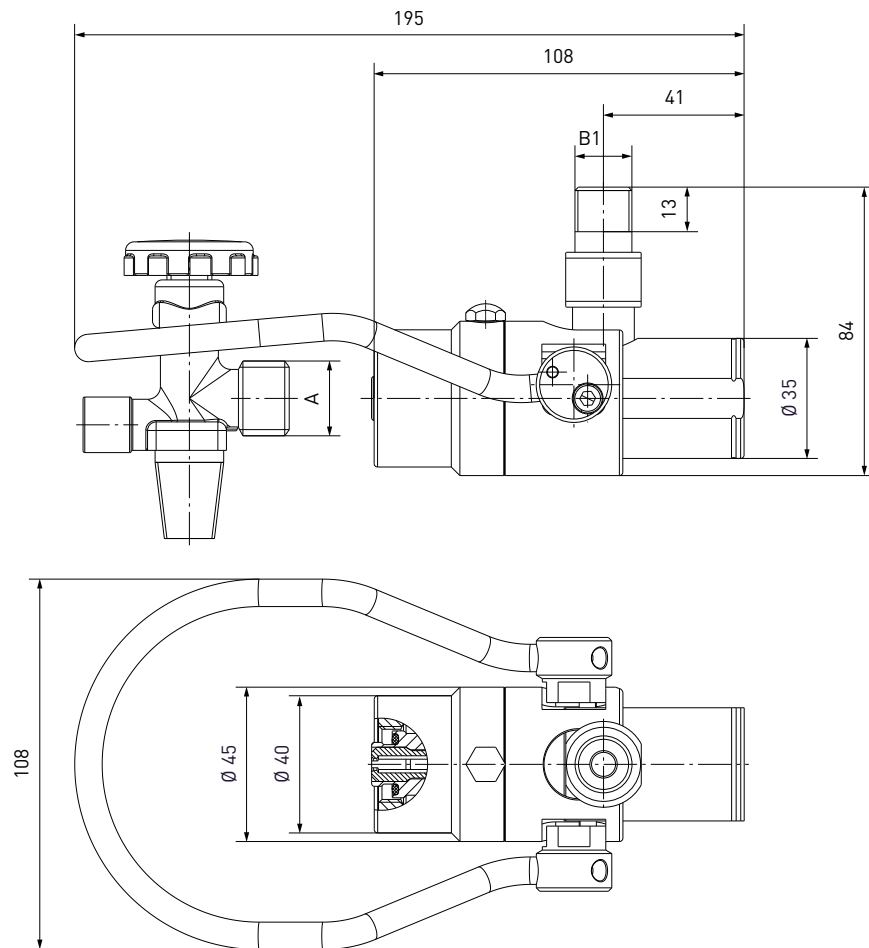
Example of use:



Ordering

ORDERING | WEH® TW920 Quick Connector – standard version

approx. dimensions (mm)

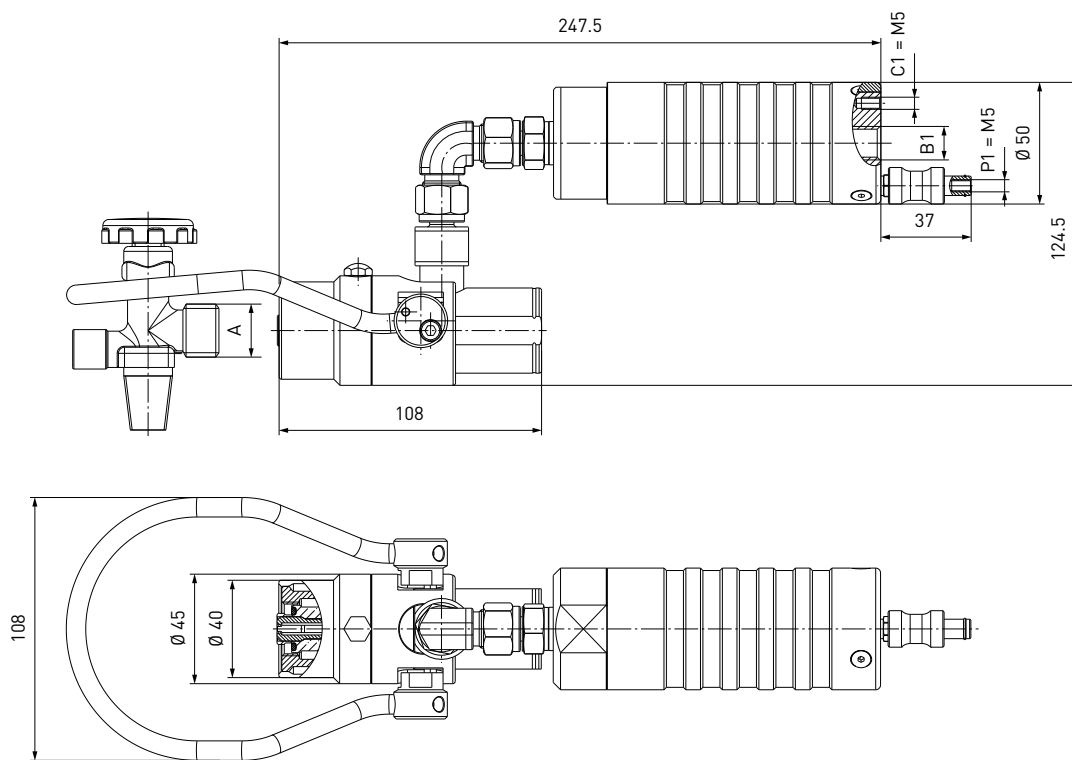


Part No.	Description	Connection A (male thread)	Inlet B1 (male thread)
C1-77826	TW920	W21.8x1/14"	NPT 3/8"

Ordering / Accessories

ORDERING | WEH® TW920 Quick Connector with pneumatic linear valve

approx. dimensions (mm)



Part No.	Description	Connection A (male thread)	Inlet B1 (female thread)
C1-48037	TW920 incl. linear valve	W21.8x1/14"	G1/4"

Other connector sizes and versions on request.

ACCESSORIES

The following accessories are available for WEH® TW920:

Actuations

For the TW920 various actuations, e.g. handles, wire ropes etc. are available in different sizes and forms. Please contact us!

Other products

OTHER PRODUCTS

You will find more products in our current catalog no. 40



Further information on our homepage
www.weh.com

Abbreviations/Definition

Explanation of abbreviations see technical appendix in the catalogue or www.weh.com

Safe product selection

Our WEH® Products are designed to be operated by qualified professional users (insofar as WEH® Products are also designed to be operated by other users in individual cases, this is explicitly stated in the corresponding operating instructions). You alone are responsible for the selection of WEH® Products and their configuration according to the requirements of your system. In doing so, please particularly consider your intended use, your performance data, your material compatibility, your system concept and your system limits as well as your technical and legal requirements for operation, handling and maintenance. The quality and safety of WEH® Products is our highest priority. For this reason, WEH® Products may not be used outside the specifications in the relevant data sheets and product descriptions. We also strongly recommend that you refrain from using third-party spare parts or a combination of WEH® Products with unsuitable third-party products. You alone are responsible for reviewing the suitability of third-party products. WEH® Products and WEH® Spare parts comply with our quality and safety standards.

Explanation on the Pressure Equipment Directive

These WEH® Products are generally and exclusively classified as pressure accessories for piping in accordance with Article 2 (5) of the Pressure Equipment Directive 2014/68/EU. These WEH® Products may not be used (i) as safety accessories or (ii) for vessels as defined by the Pressure Equipment Directive 2014/68/EU. Therefore, the application of these WEH® Products must comply with their classification as pressure accessories for piping. The assessment with regard to a different classification can, however, be made on request.

External change management

WEH reserves the right to update, optimise and adjust its products continuously. This may result in corresponding changes of the product. Customers will be informed proactively or unsolicited by WEH only in individual cases about product updates, product optimisations and/or product adaptations that have been carried out. You are free to contact WEH at any time to request information about any product updates, product optimisations and/or product adjustments.

© All rights reserved, WEH GmbH. Any unauthorized use is strictly forbidden. Subject to alteration.
No liability will be assumed for any content. Herewith previous versions are no longer valid.

» Contacting

For queries and further information, please do not hesitate to contact us.

Manufacturer:

WEH GmbH Precision Connectors

Josef-Henle-Str. 1
89257 Illertissen / Germany

Phone: +49 7303 9609-0
Fax: +49 7303 9609-9999

Email: sales@weh.com
www.weh.com