

Type **TW117**

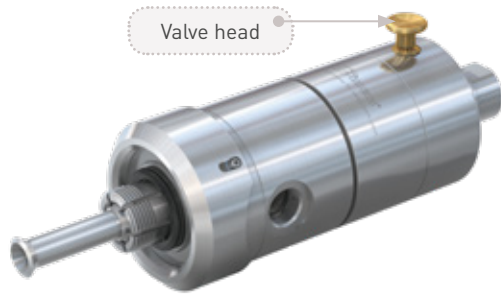
WEH[®] Connector for filling, testing and discharging of gas cylinders

with water



General

DESCRIPTION



Features

- Three functions with one connection: **filling - testing - discharging of/with water**
- Connection in seconds
- No hand tightening required
- WEH® Jaw locking mechanism
- Robust construction
- High-grade materials

The type TW117 quick connector simplifies testing of gas cylinders with water. Eliminating tedious screwing and unscrewing of threaded parts saves time and money and also spares the employees muscles and joints. The quick connector is easy to connect and disconnect with a single-handed operation. The most impressive features are the high functionality and range of applications of type TW117.

Three functions with one connection: filling, testing and discharging of gas cylinders with water (discharging can also be carried out with compressed air).

A green visual ring (see example of use) shows when the connector has been properly connected.

For pressure tests, the lateral inlet 'B3' has to be sealed with a high pressure screw plug or a ball valve. Please contact us!

Application

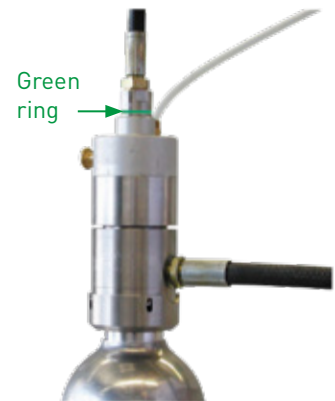
Quick connector for testing of gas cylinders with water.

TECHNICAL DATA

Characteristic	Basic version
Pressure range	PN = 360 bar PS = 450 bar PT = 645 bar
Pilot pressure	6 - 8 bar air
Pilot pressure port P1	M5
Temperature range	+10 °C up to +80 °C
Medium	Water, compressed air (when discharging)
Actuation	Pneumatic actuation via valve head
Material	Corrosion resistant stainless steel, aluminium, brass
Sealing material	NBR

Other designs on request

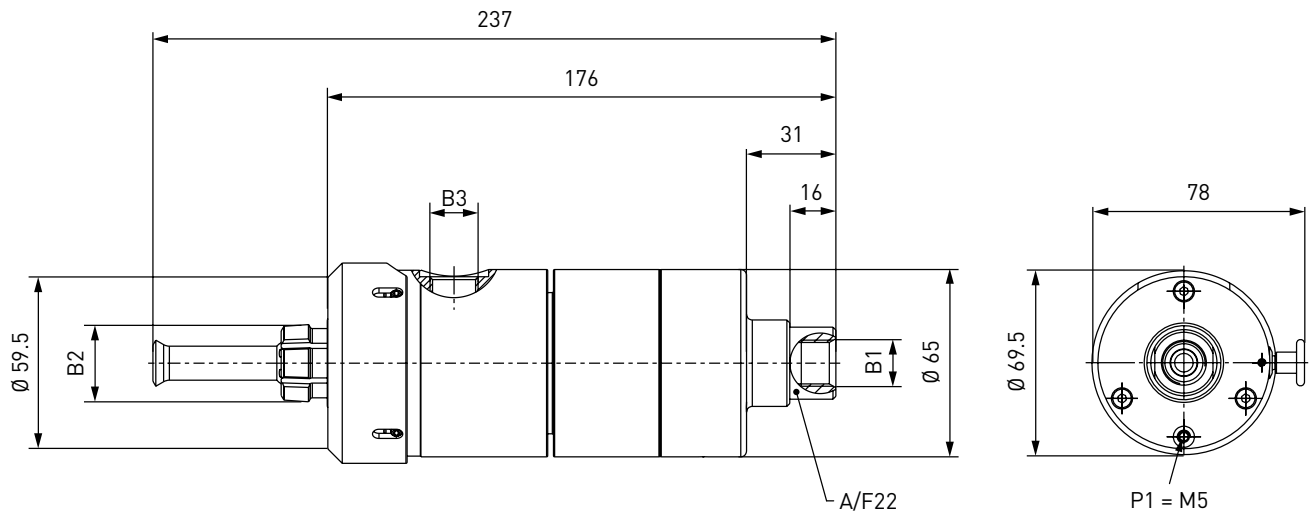
Example of use:



Ordering / Accessories

ORDERING | Quick connector TW117

approx. dimensions (mm)



Part No.	Description	Inlet B1 (internal thread)	Connection B2 (external thread)	Discharge B3 (internal thread)
C1-11673	TW117	M16x1.5	W28.8x1/14"*	G3/8"

* acc. to DIN 477

Other connector sizes and versions on request.

Required information for ordering see page 7, catalogue no. 20.

ACCESSORIES

The following accessories are available for type TW117:

Adaptors

Adaptors for connecting the quick connector to the filling hose are available on request.

Spare parts

Various parts are available as spares for type TW117:

Part No.	Description
E50-231N	Front seal
B200B-056-00	Seal set

Other products

OTHER PRODUCTS

You will find more products in our current catalogue no. 20



Further information on our homepage
www.weh.com

Abbreviations/Definition

Explanation of abbreviations see technical appendix in the catalogue or www.weh.com

Safe product selection

Our WEH® Products are designed to be operated by qualified professional users (insofar as WEH® Products are also designed to be operated by other users in individual cases, this is explicitly stated in the corresponding operating instructions). You alone are responsible for the selection of WEH® Products and their configuration according to the requirements of your system. In doing so, please particularly consider your intended use, your performance data, your material compatibility, your system concept and your system limits as well as your technical and legal requirements for operation, handling and maintenance. The quality and safety of WEH® Products is our highest priority. For this reason, WEH® Products may not be used outside the specifications in the relevant data sheets and product descriptions. We also strongly recommend that you refrain from using third-party spare parts or a combination of WEH® Products with unsuitable third-party products. You alone are responsible for reviewing the suitability of third-party products. WEH® Products and WEH® Spare parts comply with our quality and safety standards.

Explanation on the Pressure Equipment Directive

These WEH® Products are generally and exclusively classified as pressure accessories for piping in accordance with Article 2 (5) of the Pressure Equipment Directive 2014/68/EU. These WEH® Products may not be used (i) as safety accessories or (ii) for vessels as defined by the Pressure Equipment Directive 2014/68/EU. Therefore, the application of these WEH® Products must comply with their classification as pressure accessories for piping. The assessment with regard to a different classification can, however, be made on request.

External change management

WEH reserves the right to update, optimise and adjust its products continuously. This may result in corresponding changes of the product. Customers will be informed proactively or unsolicited by WEH only in individual cases about product updates, product optimisations and/or product adaptations that have been carried out. You are free to contact WEH at any time to request information about any product updates, product optimisations and/or product adjustments.

© All rights reserved, WEH GmbH. Any unauthorized use is strictly forbidden. Subject to alteration.
No liability will be assumed for any content. Herewith previous versions are no longer valid.

» Contact

For queries and further information, please do not hesitate to contact us.

Manufacturer:

WEH GmbH Precision Connectors

Josef-Henle-Str. 1
89257 Illertissen / Germany

Phone: +49 7303 9609-0

Email: sales@weh.com

www.weh.com