

# Type **TW713**

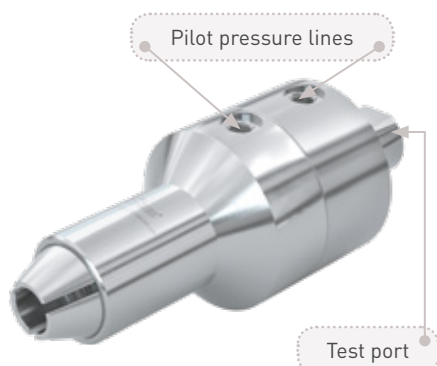
**WEH**<sup>®</sup> Connector for pressure and function testing

of fuel lines with bead or collar



## General

### DESCRIPTION



#### Features

- Central test port
- Connection in seconds
- No hand tightening required
- Integrated shut-off valve
- Robust construction
- High-grade materials

The WEH® Connector type TW713 has been specifically developed to connect fuel lines for engine hot testing and for testing of automotive components during manufacturing. The design of the connector is best suited for narrow spaces and meets the demand of such applications. Type TW713 is equipped with a central test port and pneumatically actuated grip sleeve for ease of use.

The lateral pilot pressure lines P1 and P2 are connected to the test system.

An integrated shut-off valve prevents leakage of fuel and enables a clean and safe operation.

For applications with manual actuation we recommend type TW710.

#### Application

Quick connector for pressure and function testing of fuel lines with bead or collar.

Male thread on request.

### TECHNICAL DATA

Characteristic	Basic version
Nominal bore DN	3.5 mm
Operating pressure PS	Max. 145 psi
Pilot pressure	Max. 90 psi
Temperature range	+41 °F up to +212 °F
Medium	Petrol, Diesel, compressed air
Actuation	Pneumactical actuation via grip sleeve
Material	Corrosion resistant
Sealing material	FKM
Design	With integrated shut-off valve

Other designs on request

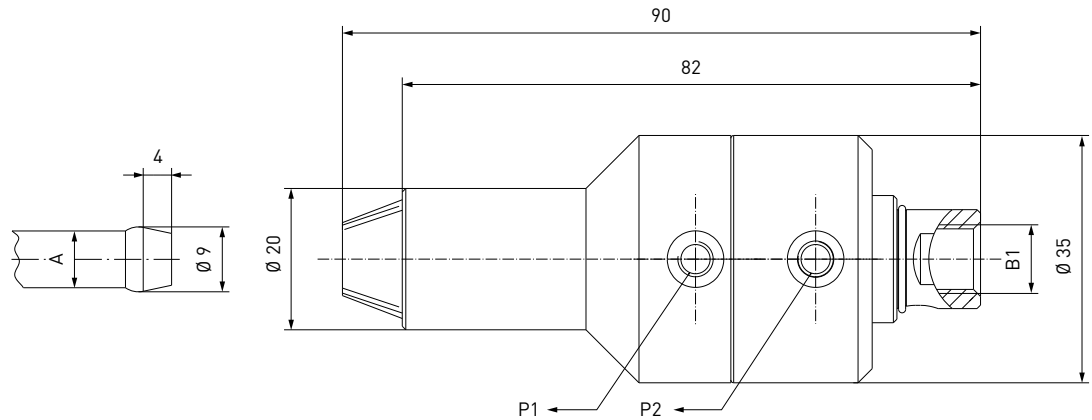
#### Example of use:



**Ordering / Accessories**

**ORDERING** | Quick connector TW713

approx. dimensions (mm)



Part No.	Description	Clamping diameter A	Inlet B1	Pilot pressure port P1/P2
<b>C1-1532</b>	TW713	8.0	G1/8" female thread	M5

Other connector sizes and versions on request. Please note, that the external diameters of the connector might differ from the ones of other versions.  
 On request type TW713 is also available without integrated shut-off valve.

**ACCESSORIES**

The following accessories are available for type TW713:

**Screw plug**

If the connector is to be used as a plug, inlet 'B1' will be sealed with a screw plug of brass. It is recommended that the media compatibility of the seal be tested by the customer!



Part No.	Description	Thread	Pressure range
<b>E69-9200</b>	Screw plug	G1/8" male thread	0 - 725 psi

Other threads on request

## Other products

### OTHER PRODUCTS

You will find more products in our current catalog no. 35



Further information on our homepage  
[www.weh.com](http://www.weh.com)

#### Abbreviations/Definition

Explanation of abbreviations see technical appendix in the catalogue or [www.weh.com](http://www.weh.com)

#### Safe product selection

Our WEH® Products are designed to be operated by qualified professional users (insofar as WEH® Products are also designed to be operated by other users in individual cases, this is explicitly stated in the corresponding operating instructions). You alone are responsible for the selection of WEH® Products and their configuration according to the requirements of your system. In doing so, please particularly consider your intended use, your performance data, your material compatibility, your system concept and your system limits as well as your technical and legal requirements for operation, handling and maintenance. The quality and safety of WEH® Products is our highest priority. For this reason, WEH® Products may not be used outside the specifications in the relevant data sheets and product descriptions. We also strongly recommend that you refrain from using third-party spare parts or a combination of WEH® Products with unsuitable third-party products. You alone are responsible for reviewing the suitability of third-party products. WEH® Products and WEH® Spare parts comply with our quality and safety standards.

#### Explanation on the Pressure Equipment Directive

These WEH® Products are generally and exclusively classified as pressure accessories for piping in accordance with Article 2 (5) of the Pressure Equipment Directive 2014/68/EU. These WEH® Products may not be used (i) as safety accessories or (ii) for vessels as defined by the Pressure Equipment Directive 2014/68/EU. Therefore, the application of these WEH® Products must comply with their classification as pressure accessories for piping. The assessment with regard to a different classification can, however, be made on request.

#### External change management

WEH reserves the right to update, optimise and adjust its products continuously. This may result in corresponding changes of the product. Customers will be informed proactively or unsolicited by WEH only in individual cases about product updates, product optimisations and/or product adaptations that have been carried out. You are free to contact WEH at any time to request information about any product updates, product optimisations and/or product adjustments.

© All rights reserved, WEH GmbH. Any unauthorized use is strictly forbidden. Subject to alteration.  
 No liability will be assumed for any content. Herewith previous versions are no longer valid.

### » Contact

For queries and further information, please do not hesitate to contact us.

Manufacturer:

#### WEH GmbH Precision Connectors

Josef-Henle-Str. 1  
 89257 Illertissen / Germany

Phone: +49 7303 9609-0  
 Fax: +49 7303 9609-9999

Email: [sales@weh.com](mailto:sales@weh.com)  
[www.weh.com](http://www.weh.com)



Distributor US:

#### WEH Technologies Inc.

24903 Laguna Edge Drive  
 Katy, TX 77494 / USA

Phone: +1 832 331 0021  
 Fax: +1 281 712 2664

Email: [sales@weh.us](mailto:sales@weh.us)  
[www.weh.us](http://www.weh.us)