

WEH® TW03 快速接頭

概要



特點

- 以手鎖緊
- 可簡易更換密封物
- 人體工學設計
- 高規格材質

專為測試內螺紋部品。

以手將快速接頭鎖緊直到O-ring接觸到測試件為止。無需使用扳手、密封膠、止洩帶即可密合。

NBR 材質廣泛適用於一般工業應用。

TW03 除了可作為接頭使用，亦可作為一般螺塞。

應用

適用於壓力及真空測試的內螺紋測試件。如：管配件、固定裝置、管材、鍋爐、桶槽、冷卻/散熱器。

技術規格

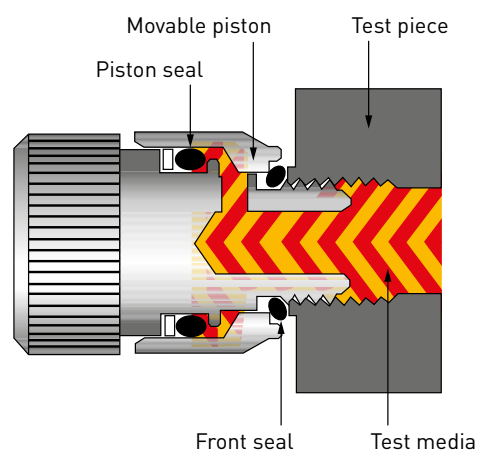
	基本規格
壓力	Vacuum up to max. 345 bar
溫度範圍	+5 °C up to +80 °C
漏率	1×10^{-3} mbar x l/s
材質	Corrosion resistant stainless steel
密封材質	NBR

其它要求請連繫我們

操作範例：



TW03 快接構造(作內螺紋接頭螺塞):

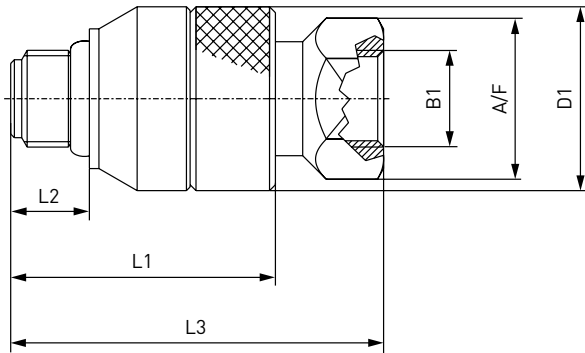


WEH® TW03快速接頭

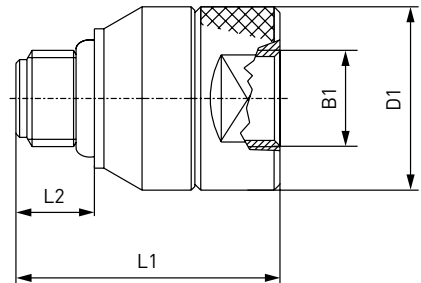
ORDERING | WEH® TW03 Quick Connector

approx. dimensions (mm)

Connector with media inlet and swivel joint

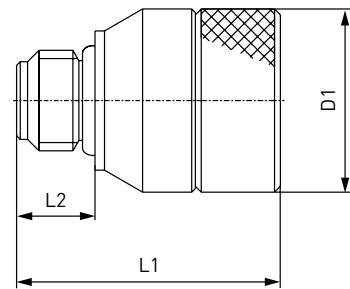


Connector with media inlet



Body size	Inlet B1 (internal thread)	D1	L1	L2	L3	A/F
1	G1/8"	20.5	33.0	10.5	47.3	17
2	G1/4"	25.0	36.0	10.7	52.0	19
3	G3/8"	30.0*	39.5	11.0	57.3	24
4	G1/2"	35.0	47.5	14.5	70.7	30
5	G3/4"	43.0	50.5	15.6	76.0	36
6	G1"	50.0	60.0	18.0	92.0	41
7	G1 1/4"	60.0	55.0	19.2	84.3	50
8	G1 1/2"	69.5**	62.0	19.2	94.4	60
9	G1 1/2"	82.0	70.0	21.0	100.7	75

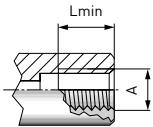
Plug



* exception: D1 = 33.0 for M18x1.5

** exception: D1 = 70.0 for body size 8 with swivel joint

Whitworth tube thread to DIN ISO 228-1 - acc. to DIN 3852 part 2, form X and Y

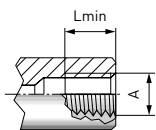


Part No. Connector with swivel joint	Part No. Connector	Part No. Plug	Body size	Thread A (internal thread)	Max. operating pressure (PS)	Lmin*
C1-11822	C1-11821	C1-11820	1	G1/8"	345 bar	7.0
C1-11825	C1-11824	C1-11823	2	G1/4"	345 bar	9.5
C1-11828	C1-11827	C1-11826	3	G3/8"	276 bar	10.5
C1-11831	C1-11830	C1-11829	4	G1/2"	276 bar	10.5
C1-11834	C1-11833	C1-11832	5	G3/4"	276 bar	11.0
C1-11837	C1-11836	C1-11835	6	G1"	276 bar	12.5
C1-11840	C1-11839	C1-11838	7	G1 1/4"	276 bar	19.2
C1-11843	C1-11842	C1-11841	8	G1 1/2"	210 bar	19.2
C1-17163	C1-17162	C1-17161	9	G2"	172 bar	21.0

* Lmin: minimum thread length

WEH® TWO3快速接頭

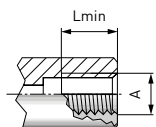
BSPT (tapered Whitworth tube thread) - acc. to DIN 3852 part 2, form X and Y



Part No. Connector with swivel joint	Part No. Connector	Part No. Plug	Body size	Thread A (internal thread)	Max. operating pressure (PS)	Lmin*
C1-75261	C1-16709	C1-16710	1	BSPT 1/8"	345 bar	7.0
C1-90404	C1-13453	C1-54605	2	BSPT 1/4"	345 bar	9.5
C1-119813	C1-74076	C1-42884	3	BSPT 3/8"	276 bar	10.5
C1-42875	C1-74077	C1-42886	4	BSPT 1/2"	276 bar	10.5
C1-119814	C1-80239	C1-42887	5	BSPT 3/4"	276 bar	11.0
C1-42876	C1-17229	C1-42888	6	BSPT 1"	276 bar	12.5

* Lmin: minimum thread length

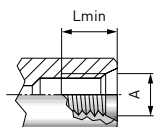
NPT thread (ANSI/ASME B1.20.1-1983) - acc. to SAE J476a



Part No. Connector with swivel joint	Part No. Connector	Part No. Plug	Body size	Thread A (internal thread)	Max. operating pressure (PS)	Lmin*
C1-17152	C1-12224	C1-12223	1	NPT 1/8"	345 bar	7.0
C1-17153	C1-12233	C1-12234	2	NPT 1/4"	345 bar	9.5
C1-17154	C1-12235	C1-12236	3	NPT 3/8"	276 bar	10.5
C1-17155	C1-12239	C1-12238	4	NPT 1/2"	276 bar	10.5
C1-17156	C1-12240	C1-12243	5	NPT 3/4"	276 bar	11.0
C1-17157	C1-12242	C1-12244	6	NPT 1"	276 bar	12.5

* Lmin: minimum thread length

SAE-O-Ring Boss - acc. to SAE J1926 / ISO 11926

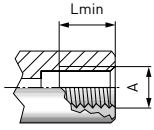


Part No. Connector with swivel joint	Part No. Connector	Part No. Plug	Body size	Thread A (internal thread)	Max. operating pressure (PS)	Lmin*
C1-32200	C1-13181	C1-12485	1	UNF 3/8"-24	345 bar	7.0
C1-32201	C1-13182	C1-12486	1	UNF 7/16"-20	345 bar	7.0
C1-32202	C1-13183	C1-12487	2	UNF 1/2"-20	345 bar	9.5
C1-32203	C1-12392	C1-12488	2	UNF 9/16"-18	345 bar	9.5
C1-32204	C1-12394	C1-12489	4	UNF 3/4"-16	276 bar	10.5
C1-90449	C1-12393	C1-12490	4	UNF 7/8"-14	276 bar	10.5
C1-103895	C1-12395	C1-12493	5	UN 1 1/16"-12	276 bar	11.0
C1-32207	C1-13184	C1-12494	6	UN 1 5/16"-12	276 bar	11.0

* Lmin: minimum thread length

WEH[®] TW03快速接頭

Metric ISO thread to DIN 13 - acc. to DIN 3852 part 1, form X and Y



Part No. Connector with swivel joint	Part No. Connector	Part No. Plug	Body size	Thread A (internal thread)	Max. operating pressure (PS)	Lmin*
C1-12117	C1-12116	C1-12115	1	M10x1.0	345 bar	7.0
C1-12142	C1-12119	C1-12118	1	M10x1.5	345 bar	7.0
C1-12143	C1-12121	C1-12120	2	M12x1.0	345 bar	7.0
C1-12125	C1-12124	C1-12122	2	M12x1.5	345 bar	9.5
C1-12127	C1-12126	C1-11944	2	M14x1.5	345 bar	9.5
C1-12128	C1-12061	C1-12062	3	M16x1.5	276 bar	10.5
C1-12131	C1-12130	C1-12129	3	M18x1.5	276 bar	10.5
C1-12141	C1-12133	C1-12132	4	M20x1.5	276 bar	10.5
C1-12136	C1-12135	C1-12134	4	M22x1.5	276 bar	10.5
C1-12144	C1-12138	C1-12137	5	M24x1.5	276 bar	11.0
C1-12145	C1-12140	C1-12139	5	M26x1.5	276 bar	11.0

* Lmin: minimum thread length

Other connector sizes and versions on request.

關於訂購所需資訊請參照page 9.

特殊解決方案

Examples:



TW03加長型



TW03 橫向90度連接型