

# Type **TW17**

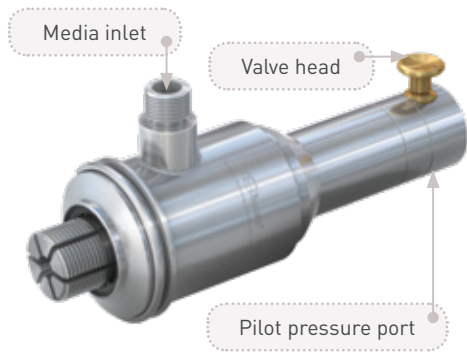
**WEH**<sup>®</sup> Connector for leak testing of gas cylinders

with water



General

**DESCRIPTION**



**Features**

- Suitable for water leak testing of gas cylinders
- Connection in seconds
- No hand tightening required
- Different actuations
- WEH® Jaw locking mechanism
- Robust construction
- High-grade materials

The type TW17 quick connector offers time saving on leak testing of gas cylinders by eliminating tedious manual threading.

Depress the valve head and simply push the TW17 quick connector into the internal thread of the gas cylinder. Release the valve head and the pressure-tight connection is made. The cylinder can now be leak tested with water. The test procedure is regulated by an external control unit.

**Application**

Quick connector for leak testing of gas cylinders with water.

**TECHNICAL DATA**

Characteristic	Basic version
Pressure range	PN = 280 bar   PS = 350 bar   PT = 525 bar
Pilot pressure	6 - 8 bar air
Temperature range	+5 °C up to +80 °C
Medium	Water
Actuation	Pneumatic actuation via valve head or manual actuation via lever handle
Material	Corrosion resistant stainless steel, brass
Sealing material	NBR

Other designs on request

**Example of use:**

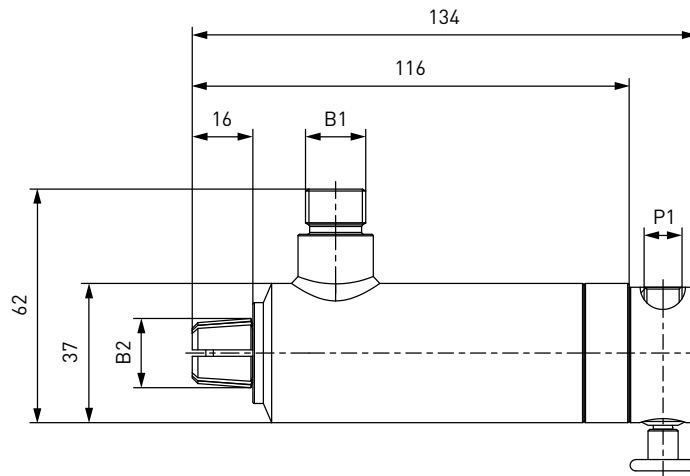


Ordering

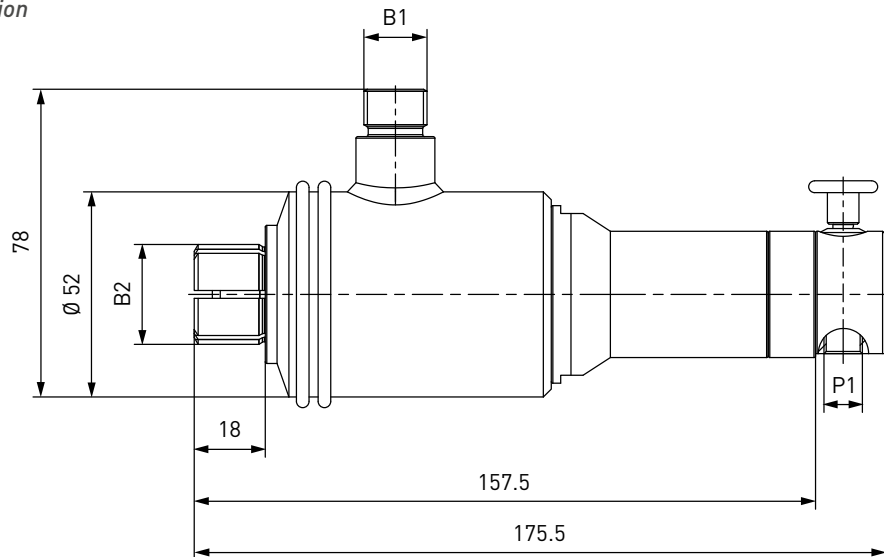
**ORDERING** | Quick connector TW17 with pneumatic actuation

approx. dimensions (mm)

*TW17V for W19,8x1/14" connection*



*TW17V for W28,8x1/14" connection*



Part No.	Description	Inlet B1 (external thread)	Connection B2 (external thread)	Pilot pressure port P1 (internal thread)
<b>C1-33210</b>	TW17V	M16x1.5*	W19.8x1/14"	G1/8"
<b>C1-30341</b>	TW17V	M16x1.5*	W28.8x1/14"	G1/8"

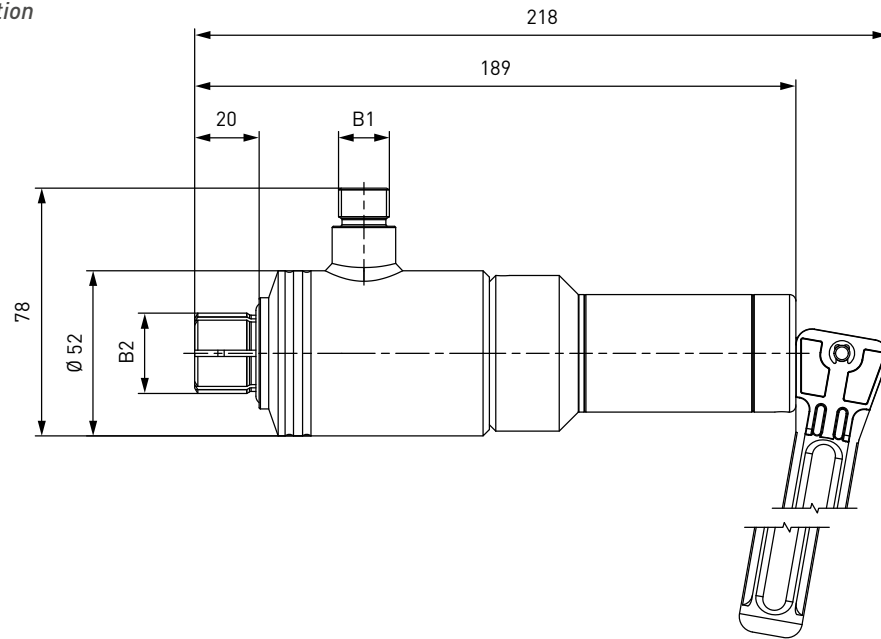
\* Ermeto 24° .S'

Ordering

**ORDERING** | Quick connector TW17 with manual actuation

approx. dimensions (mm)

*TW17M for W28,8x1/14" connection*



Part No.	Description	Inlet B1 (external thread)	Connection B2 (external thread)
<b>C1-14854</b>	TW17M	M16x1.5*	W28.8x1/14"

\* Ermeto 24° ,S'

Other connector sizes and versions on request.

Required information for ordering see page 7, catalogue no. 20.

Accessories

**ACCESSORIES**

The following accessories are available for type TW17:

**Actuations**

For type TW17 various manual and pneumatic actuations are available:

- H (manually via hand lever)
- M (manually via lever handle)
- V (pneumatically via valve head)
- P (pneumatically for external control systems)

Please contact us!

**Spare parts**

Various parts are available as spares for type TW17:

Part No.	Description
<b>E50-135N</b>	O-ring for C1-33210
<b>E50-231N</b>	O-ring for C1-30341 and C1-14854

Other products

**OTHER PRODUCTS**

You will find more products in our current catalogue no. 20



Further information on our homepage  
[www.weh.com](http://www.weh.com)

**Abbreviations/Definition**

Explanation of abbreviations see technical appendix in the catalogue or [www.weh.com](http://www.weh.com)

**Safe product selection**

Our WEH® Products are designed to be operated by qualified professional users (insofar as WEH® Products are also designed to be operated by other users in individual cases, this is explicitly stated in the corresponding operating instructions). You alone are responsible for the selection of WEH® Products and their configuration according to the requirements of your system. In doing so, please particularly consider your intended use, your performance data, your material compatibility, your system concept and your system limits as well as your technical and legal requirements for operation, handling and maintenance. The quality and safety of WEH® Products is our highest priority. For this reason, WEH® Products may not be used outside the specifications in the relevant data sheets and product descriptions. We also strongly recommend that you refrain from using third-party spare parts or a combination of WEH® Products with unsuitable third-party products. You alone are responsible for reviewing the suitability of third-party products. WEH® Products and WEH® Spare parts comply with our quality and safety standards.

**Explanation on the Pressure Equipment Directive**

These WEH® Products are generally and exclusively classified as pressure accessories for piping in accordance with Article 2 (5) of the Pressure Equipment Directive 2014/68/EU. These WEH® Products may not be used (i) as safety accessories or (ii) for vessels as defined by the Pressure Equipment Directive 2014/68/EU. Therefore, the application of these WEH® Products must comply with their classification as pressure accessories for piping. The assessment with regard to a different classification can, however, be made on request.

**External change management**

WEH reserves the right to update, optimise and adjust its products continuously. This may result in corresponding changes of the product. Customers will be informed proactively or unsolicited by WEH only in individual cases about product updates, product optimisations and/or product adaptations that have been carried out. You are free to contact WEH at any time to request information about any product updates, product optimisations and/or product adjustments.

© All rights reserved, WEH GmbH. Any unauthorized use is strictly forbidden. Subject to alteration.  
 No liability will be assumed for any content. Herewith previous versions are no longer valid.

**» Contact**

For queries and further information, please do not hesitate to contact us.

Manufacturer:

**WEH GmbH Precision Connectors**

Josef-Henle-Str. 1  
 89257 Illertissen / Germany

Phone: +49 7303 9609-0

Email: [sales@weh.com](mailto:sales@weh.com)

[www.weh.com](http://www.weh.com)