

INTERNATIONAL STANDARD

ISO
5167-2

First edition
2003-03-01

Measurement of fluid flow by means of pressure differential devices inserted in circular-cross section conduits running full —

Part 2: Orifice plates

*Mesure de débit des fluides au moyen d'appareils déprimogènes
insérés dans des conduites en charge de section circulaire —*

Partie 2: Diaphragmes



Reference number
ISO 5167-2:2003(E)

© ISO 2003

PDF disclaimer

This PDF file may contain embedded typefaces. In accordance with Adobe's licensing policy, this file may be printed or viewed but shall not be edited unless the typefaces which are embedded are licensed to and installed on the computer performing the editing. In downloading this file, parties accept therein the responsibility of not infringing Adobe's licensing policy. The ISO Central Secretariat accepts no liability in this area.

Adobe is a trademark of Adobe Systems Incorporated.

Details of the software products used to create this PDF file can be found in the General Info relative to the file; the PDF-creation parameters were optimized for printing. Every care has been taken to ensure that the file is suitable for use by ISO member bodies. In the unlikely event that a problem relating to it is found, please inform the Central Secretariat at the address given below.

© ISO 2003

All rights reserved. Unless otherwise specified, no part of this publication may be reproduced or utilized in any form or by any means, electronic or mechanical, including photocopying and microfilm, without permission in writing from either ISO at the address below or ISO's member body in the country of the requester.

ISO copyright office
Case postale 56 • CH-1211 Geneva 20
Tel. + 41 22 749 01 11
Fax + 41 22 749 09 47
E-mail copyright@iso.org
Web www.iso.org

Published in Switzerland

Contents

Page

Foreword	iv
Introduction	v
1 Scope	1
2 Normative references	1
3 Terms, definitions and symbols	1
4 Principles of the method of measurement and computation	2
5 Orifice plates	2
5.1 Description	2
5.2 Pressure tappings	6
5.3 Coefficients and corresponding uncertainties of orifice plates	10
5.4 Pressure loss, Δp	13
6 Installation requirements	15
6.1 General	15
6.2 Minimum upstream and downstream straight lengths for installation between various fittings and the orifice plate	15
6.3 Flow conditioners	20
6.4 Circularity and cylindricality of the pipe	26
6.5 Location of orifice plate and carrier rings	27
6.6 Method of fixing and gaskets	28
Annex A (informative) Tables of discharge coefficients and expansibility [expansion] factors	29
Annex B (informative) Flow conditioners	41
Bibliography	46

ISO 5167-2:2003(E)**Foreword**

ISO (the International Organization for Standardization) is a worldwide federation of national standards bodies (ISO member bodies). The work of preparing International Standards is normally carried out through ISO technical committees. Each member body interested in a subject for which a technical committee has been established has the right to be represented on that committee. International organizations, governmental and non-governmental, in liaison with ISO, also take part in the work. ISO collaborates closely with the International Electrotechnical Commission (IEC) on all matters of electrotechnical standardization.

International Standards are drafted in accordance with the rules given in the ISO/IEC Directives, Part 2.

The main task of technical committees is to prepare International Standards. Draft International Standards adopted by the technical committees are circulated to the member bodies for voting. Publication as an International Standard requires approval by at least 75 % of the member bodies casting a vote.

Attention is drawn to the possibility that some of the elements of this document may be the subject of patent rights. ISO shall not be held responsible for identifying any or all such patent rights.

ISO 5167-2 was prepared by Technical Committee ISO/TC 30, *Measurement of fluid flow in closed conduits*, Subcommittee SC 2, *Pressure differential devices*.

This first edition of ISO 5167-2, together with the second edition of ISO 5167-1 and the first editions of ISO 5167-3 and ISO 5167-4, cancels and replaces the first edition of ISO 5167-1:1991, which has been technically revised, and ISO 5167-1:1991/Amd.1:1998.

ISO 5167 consists of the following parts, under the general title *Measurement of fluid flow by means of pressure differential devices inserted in circular-cross section conduits running full*:

- *Part 1: General principles and requirements*
- *Part 2: Orifice plates*
- *Part 3: Nozzles and Venturi nozzles*
- *Part 4: Venturi tubes*

Introduction

ISO 5167, consisting of four parts, covers the geometry and method of use (installation and operating conditions) of orifice plates, nozzles and Venturi tubes when they are inserted in a conduit running full to determine the flowrate of the fluid flowing in the conduit. It also gives necessary information for calculating the flowrate and its associated uncertainty.

ISO 5167 (all parts) is applicable only to pressure differential devices in which the flow remains subsonic throughout the measuring section and where the fluid can be considered as single-phase, but is not applicable to the measurement of pulsating flow. Furthermore, each of these devices can only be used within specified limits of pipe size and Reynolds number.

ISO 5167 (all parts) deals with devices for which direct calibration experiments have been made, sufficient in number, spread and quality to enable coherent systems of application to be based on their results and coefficients to be given with certain predictable limits of uncertainty.

The devices introduced into the pipe are called “primary devices”. The term primary device also includes the pressure tapplings. All other instruments or devices required for the measurement are known as “secondary devices”. ISO 5167 (all parts) covers primary devices; secondary devices¹⁾ will be mentioned only occasionally.

ISO 5167 consists of the following four parts.

- a) ISO 5167-1 gives general terms and definitions, symbols, principles and requirements as well as methods of measurement and uncertainty that are to be used in conjunction with ISO 5167-2, ISO 5167-3 and ISO 5167-4.
- b) ISO 5167-2 specifies orifice plates, which can be used with corner pressure tapplings, D and $D/2$ pressure tapplings²⁾, and flange pressure tapplings.
- c) ISO 5167-3 specifies ISA 1932 nozzles³⁾, long radius nozzles and Venturi nozzles, which differ in shape and in the position of the pressure tapplings.
- d) ISO 5167-4 specifies classical Venturi tubes⁴⁾.

Aspects of safety are not dealt with in Parts 1 to 4 of ISO 5167. It is the responsibility of the user to ensure that the system meets applicable safety regulations.

1) See ISO 2186:1973, *Fluid flow in closed conduits — Connections for pressure signal transmissions between primary and secondary elements*.

2) Orifice plates with “vena contracta” pressure tapplings are not considered in ISO 5167.

3) ISA is the abbreviation for the International Federation of the National Standardizing Associations, which was succeeded by ISO in 1946.

4) In the USA, the classical Venturi tube is sometimes called the Herschel Venturi tube.

Measurement of fluid flow by means of pressure differential devices inserted in circular-cross section conduits running full —

Part 2: Orifice plates

1 Scope

This part of ISO 5167 specifies the geometry and method of use (installation and operating conditions) of orifice plates when they are inserted in a conduit running full to determine the flowrate of the fluid flowing in the conduit.

This part of ISO 5167 also provides background information for calculating the flowrate and is applicable in conjunction with the requirements given in ISO 5167-1.

This part of ISO 5167 is applicable to primary devices having an orifice plate used with flange pressure tapings, or with corner pressure tapings, or with D and $D/2$ pressure tapings. Other pressure tapings such as “vena contracta” and pipe tapings have been used with orifice plates but are not covered by this part of ISO 5167. This part of ISO 5167 is applicable only to a flow which remains subsonic throughout the measuring section and where the fluid can be considered as single phase. It is not applicable to the measurement of pulsating flow. It does not cover the use of orifice plates in pipe sizes less than 50 mm or more than 1 000 mm, or for pipe Reynolds numbers below 5 000.

2 Normative references

The following referenced documents are indispensable for the application of this document. For dated references, only the edition cited applies. For undated references, the latest edition of the referenced document (including any amendments) applies.

ISO 4006:1991, *Measurement of fluid flow in closed conduits — Vocabulary and symbols*

ISO 5167-1:2003, *Measurement of fluid flow by means of pressure differential devices inserted in circular-cross section conduits running full — Part 1: General principles and requirements*

3 Terms, definitions and symbols

For the purposes of this document, the terms, definitions and symbols given in ISO 4006 and ISO 5167-1 apply.

ISO 5167-2:2003(E)**4 Principles of the method of measurement and computation**

The principle of the method of measurement is based on the installation of an orifice plate into a pipeline in which a fluid is running full. The presence of the orifice plate causes a static pressure difference between the upstream and downstream sides of the plate. The mass flowrate, q_m , can be determined using Equation (1):

$$q_m = \frac{C}{\sqrt{1-\beta^4}} \varepsilon \frac{\pi}{4} d^2 \sqrt{2\Delta p \rho_1} \quad (1)$$

The uncertainty limits can be calculated using the procedure given in Clause 8 of ISO 5167-1:2003.

Computation of the mass flowrate, which is a purely arithmetic process, can be performed by replacing the different terms on the right hand side of the basic Equation (1) by their numerical values.

Similarly, the value of volume flowrate, q_V , is calculated from:

$$q_V = \frac{q_m}{\rho} \quad (2)$$

where ρ is the fluid density at the temperature and pressure for which the volume is stated.

As will be seen later in this part of ISO 5167, the coefficient of discharge, C , is dependent on the Reynolds number, Re , which is itself dependent on q_m , and has to be obtained by iteration (see Annex A of ISO 5167-1:2003 for guidance regarding the choice of the iteration procedure and initial estimates).

The diameters d and D mentioned in the formula are the values of the diameters at working conditions. Measurements taken at any other conditions should be corrected for any possible expansion or contraction of the orifice plate and the pipe due to the values of the temperature and pressure of the fluid during the measurement.

It is necessary to know the density and the viscosity of the fluid at the working conditions. In the case of a compressible fluid, it is also necessary to know the isentropic exponent of the fluid at working conditions.

5 Orifice plates

NOTE 1 The various types of standard orifice meters are similar and therefore only a single description is needed. Each type of standard orifice meter is characterized by the arrangement of the pressure tapings.

NOTE 2 Limits of use are given in 5.3.1.

5.1 Description**5.1.1 General**

The axial plane cross-section of a standard orifice plate is shown in Figure 1.

The letters given in the following text refer to the corresponding references in Figure 1.

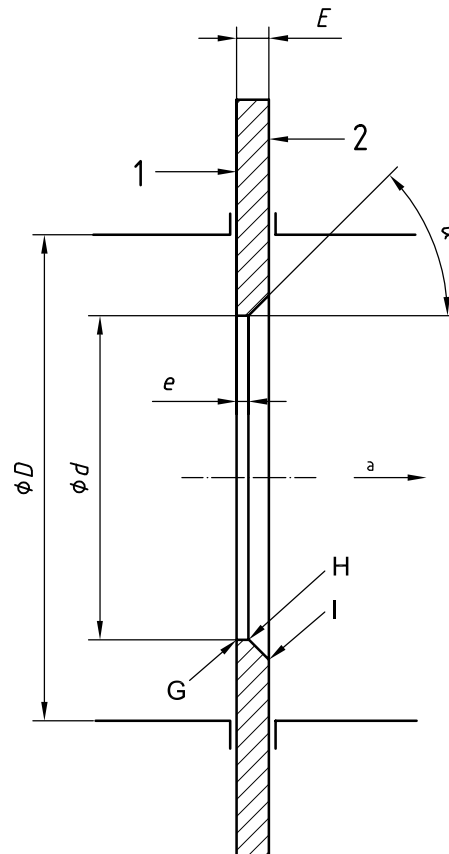
5.1.2 General shape

5.1.2.1 The part of the plate inside the pipe shall be circular and concentric with the pipe centreline. The faces of the plate shall always be flat and parallel.

5.1.2.2 Unless otherwise stated, the following requirements apply only to that part of the plate located within the pipe.

5.1.2.3 Care shall be taken in the design of the orifice plate and its installation to ensure that plastic buckling and elastic deformation of the plate, due to the magnitude of the differential pressure or of any other stress, do not cause the slope of the straight line defined in 5.1.3.1 to exceed 1 % under working conditions.

NOTE Further information is given in 8.1.1.3 of ISO/TR 9464:1998.



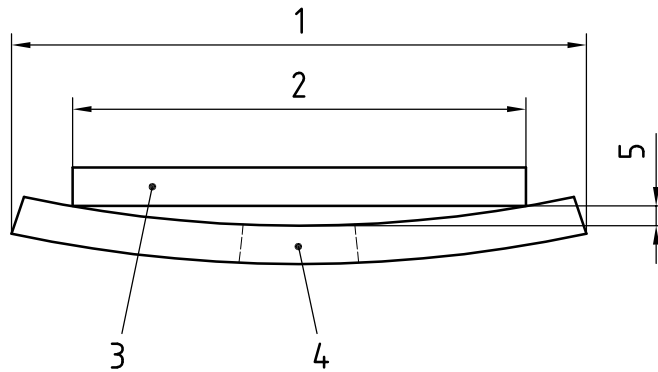
Key

- 1 upstream face A
- 2 downstream face B
- ^a Direction of flow.

Figure 1 — Standard orifice plate

5.1.3 Upstream face A

5.1.3.1 The upstream face A of the plate shall be flat when the plate is installed in the pipe with zero differential pressure across it. Provided that it can be shown that the method of mounting does not distort the plate, this flatness may be measured with the plate removed from the pipe. Under these circumstances, the plate may be considered to be flat when the maximum gap between the plate and a straight edge of length D laid across any diameter of the plate (see Figure 2) is less than $0,005(D - d)/2$, i.e. the slope is less than 0,5 % when the orifice plate is examined prior to insertion into the meter line. As can be seen from Figure 2, the critical area is in the vicinity of the orifice bore. The uncertainty requirements for this dimension can be met using feeler gauges.



Key

- 1 orifice plate outside diameter
- 2 pipe inside diameter (D)
- 3 straight edge
- 4 orifice
- 5 departure from flatness (measured at edge of orifice)

Figure 2 — Orifice plate-flatness measurement

5.1.3.2 The upstream face of the orifice plate shall have a roughness criterion $Ra < 10^{-4}d$ within a circle of diameter not less than D and which is concentric with the orifice. In all cases, the roughness of the upstream face of the orifice plate shall not be such that it affects the edge sharpness measurement. If, under working conditions, the plate does not fulfil the specified conditions, it shall be repolished or cleaned to a diameter of at least D .

5.1.3.3 Where possible, it is useful to provide a distinctive mark which is visible even when the orifice plate is installed to show that the upstream face of the orifice plate is correctly installed relative to the direction of flow.

5.1.4 Downstream face B

5.1.4.1 The downstream face B shall be flat and parallel with the upstream face (see also 5.1.5.4).

5.1.4.2 Although it may be convenient to manufacture the orifice plate with the same surface finish on each face, it is unnecessary to provide the same high quality finish for the downstream face as for the upstream face (see Reference [1]; but also see 5.1.9).

5.1.4.3 The flatness and surface condition of the downstream face may be judged by visual inspection.

5.1.5 Thicknesses E and e

5.1.5.1 The thickness e of the orifice shall be between $0,005D$ and $0,02D$.

5.1.5.2 The difference between the values of e measured at any point on the orifice shall not be greater than $0,001D$.

5.1.5.3 The thickness E of the plate shall be between e and $0,05D$.

However, when $50 \text{ mm} \leq D \leq 64 \text{ mm}$, a thickness E up to 3,2 mm is acceptable.

It shall also meet the requirements of 5.1.2.3.

5.1.5.4 If $D \geq 200 \text{ mm}$, the difference between the values of E measured at any point of the plate shall not be greater than $0,001D$. If $D < 200 \text{ mm}$, the difference between the values of E measured at any point of the plate shall not be greater than 0,2 mm.

5.1.6 Angle of bevel α

5.1.6.1 If the thickness E of the plate exceeds the thickness e of the orifice, the plate shall be bevelled on the downstream side. The bevelled surface shall be well finished.

5.1.6.2 The angle of bevel α shall be $45^\circ \pm 15^\circ$.

5.1.7 Edges G, H and I

5.1.7.1 The upstream edge G shall not have wire-edges or burrs.

5.1.7.2 The upstream edge G shall be sharp. It is considered so if the edge radius is not greater than $0,000\ 4d$.

If $d \geq 25$ mm, this requirement can generally be considered as satisfied by visual inspection, by checking that the edge does not reflect a beam of light when viewed with the naked eye.

If $d < 25$ mm, visual inspection is not sufficient.

If there is any doubt as to whether this requirement is met, the edge radius shall be measured.

5.1.7.3 The upstream edge shall be square; it is considered to be so when the angle between the orifice bore and the upstream face of the orifice plate is $90^\circ \pm 0,3^\circ$. The orifice bore is the region of the orifice plate between edges G and H.

5.1.7.4 The downstream edges H and I are within the separated flow region and hence the requirements for their quality are less stringent than those for edge G. This being the case, small defects (for example, a single nick) are acceptable.

5.1.8 Diameter of orifice d

5.1.8.1 The diameter d shall in all cases be greater than or equal to 12,5 mm. The diameter ratio, $\beta = d/D$, shall be always greater than or equal to 0,10 and less than or equal to 0,75.

Within these limits, the value of β may be chosen by the user.

5.1.8.2 The value d of the diameter of the orifice shall be taken as the mean of the measurements of at least four diameters at approximately equal angles to each other. Care shall be taken that the edge and bore are not damaged when making these measurements.

5.1.8.3 The orifice shall be cylindrical.

No diameter shall differ by more than 0,05 % from the value of the mean diameter. This requirement is deemed to be satisfied when the difference in the length of any of the measured diameters complies with the said requirement in respect of the mean of the measured diameters. In all cases, the roughness of the orifice bore cylindrical section shall not be such that it affects the edge sharpness measurement.

5.1.9 Bidirectional plates

5.1.9.1 If the orifice plate is intended to be used for measuring reverse flows, the following requirements shall be fulfilled:

- a) the plate shall not be bevelled;
- b) the two faces shall comply with the specifications for the upstream face given in 5.1.3;